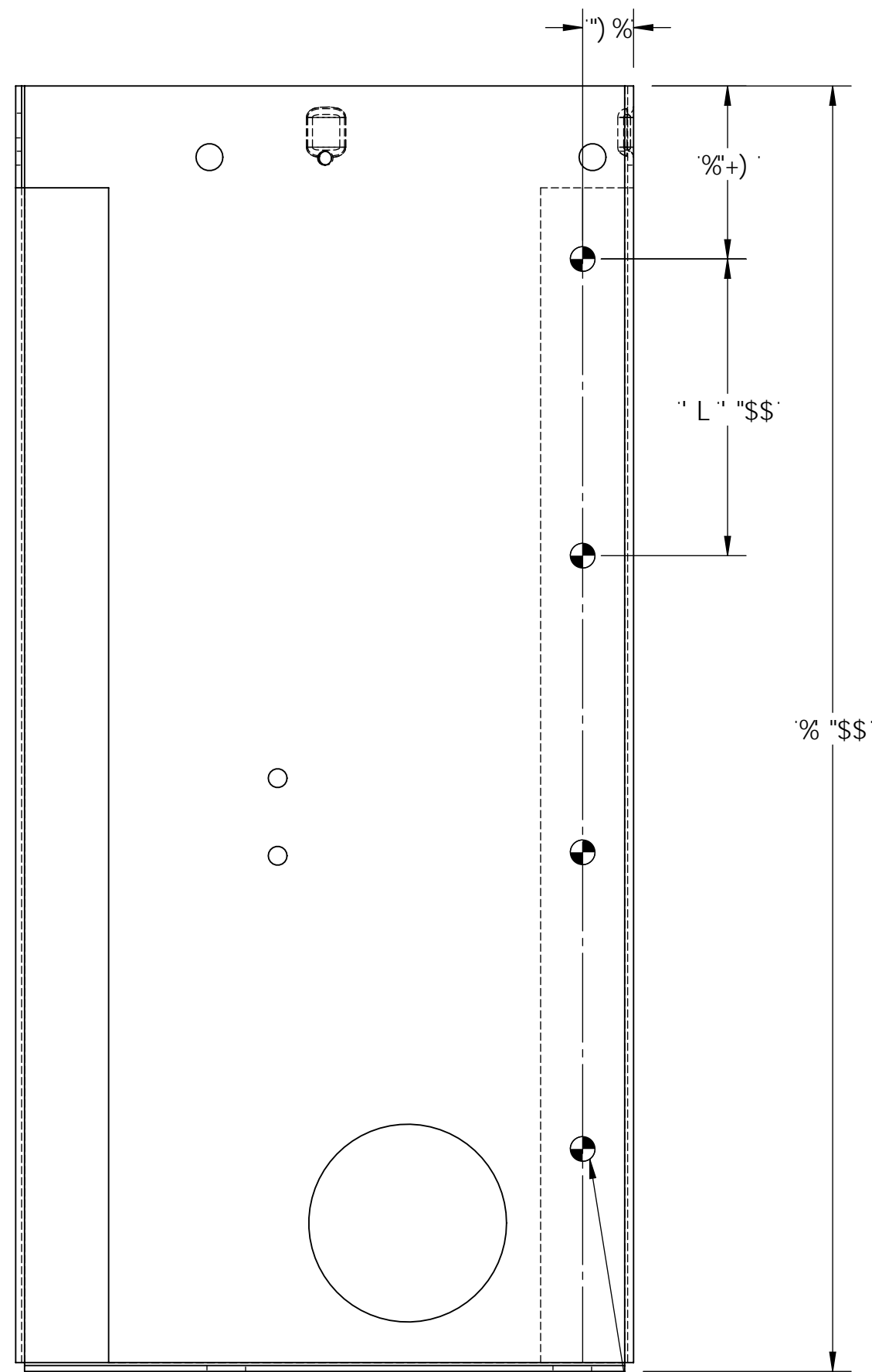
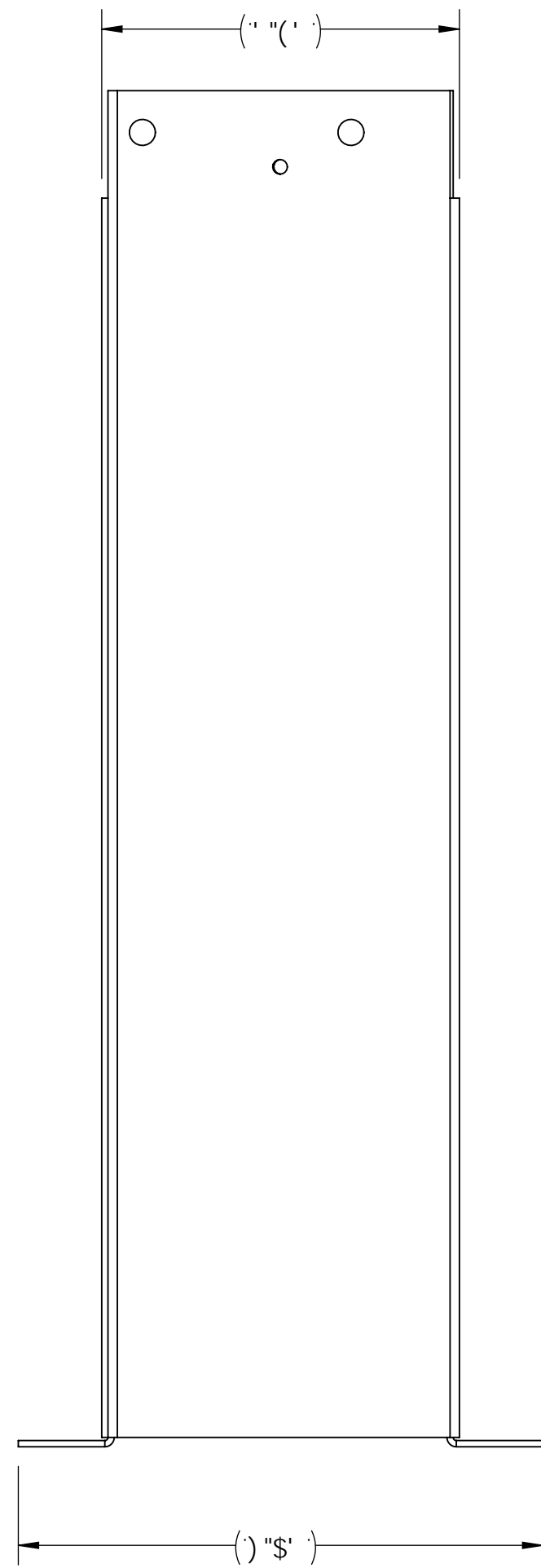
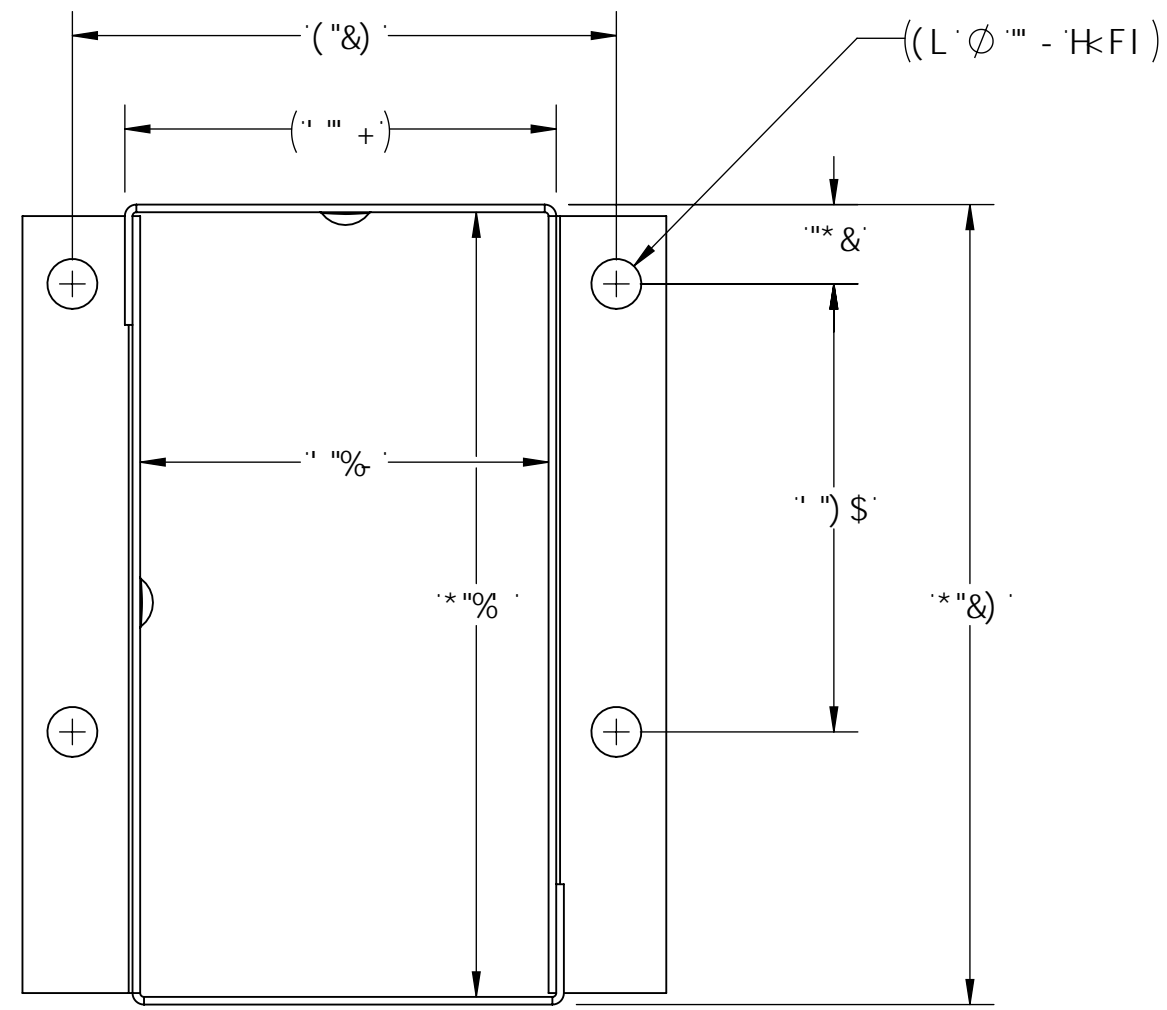
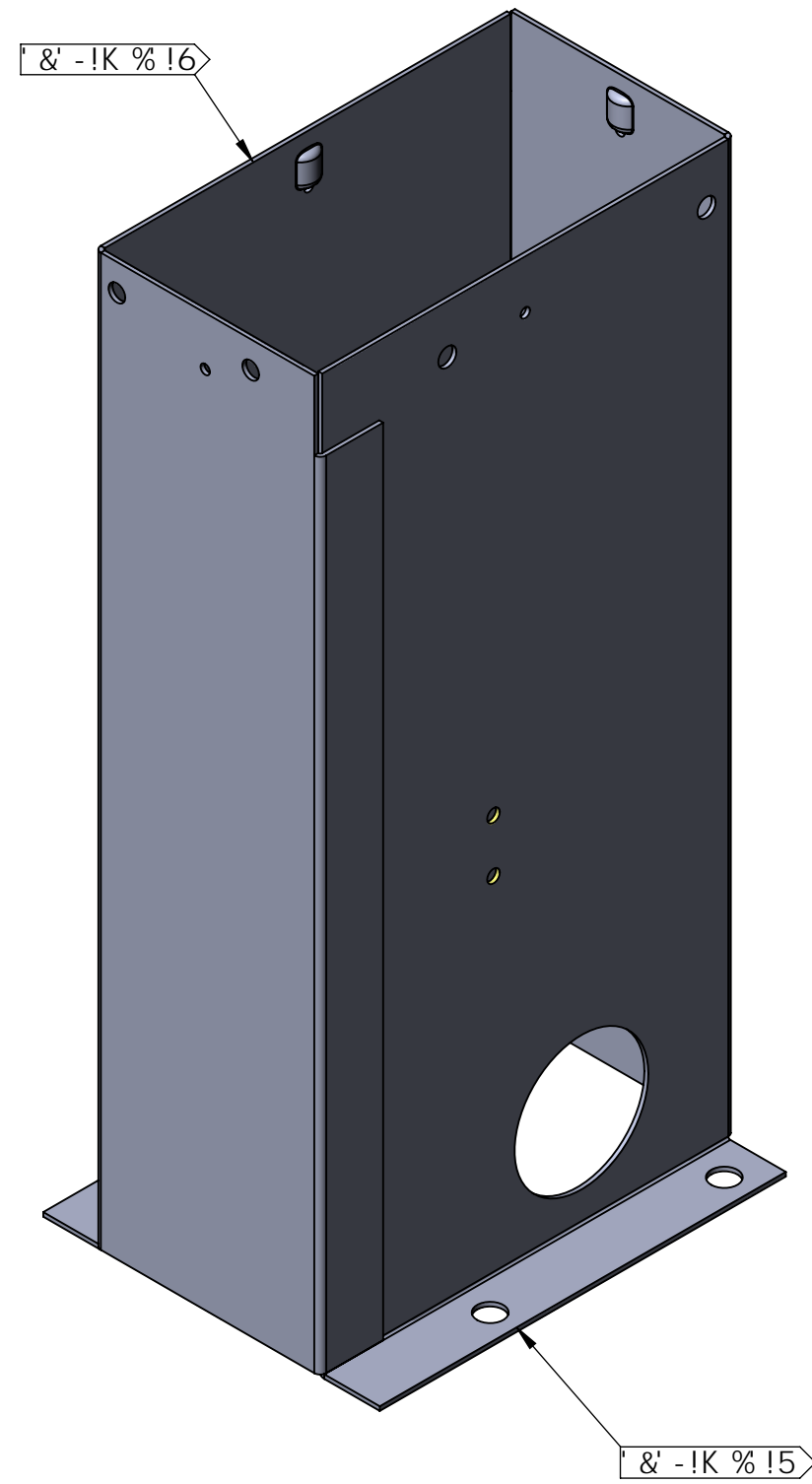


F9J GCBG					
97 F	F9J GCB	89G7 F4HC B	7 < 5B: 98 6M	85HP	5DDFCJ 98 6M
' +))	;	58898 J 9I & A C I BHB; < C @9G	FF	%\$#%+ #&\$%	FH



DF € F 'HC' DC K 89F '7 C 5H
 (L' GDC HK 9@8 ' [&' -!K % !5 > 'HC' [&' -!K % !6 >
 9J 9B @MGD57 98 C B & : @5B: 9G5GG < C K B



#DA 'BC "	D5FHBI A 69F	89G7 F4HC B	E HM
%	' &' -!K % !5	7 C BGC @9 65G9 % "K -89: C F 'H	%
&	' &' -!K % !6	7 C BGC @9 65G9 % "K -89: C F 'H	%
5 DG7 C , % , '95GH((('HC' GHF99H HI @5ZC? +(%) ft % L' &!) * \$\$			
HM9C: DFC > 97 HC B A 5HF 5@ 7 FG%: 5" (ft) - , 'K? 'L'5' %\$\$, 'FA \$\$%\$\$)		HH99 7 C BGC @9 65G9: C F '% "K -89: C F 'H	
8F5K B >7	85HP %\$#%+ #&\$%	1 B @9GCH: 9FK @9 GD97 ± 98 8 A 9BGC BG5F9 B' B7 < 9G HC @9F 5B7 9G5F9.	8K: "'BC" ' &' -!K %
7 < 97798	85HP %\$#%+ #&\$%	897 A 5@G G F: 579: -B.G<: "' "L'1 ± "\$" "LL'1 ± "\$" "LLL'1 ± "\$\$	G< 99HG@9 G7 5 @9 F9J GCB
5DDFCJ 98	85HP %\$#%+ #&\$%	DC K 89F '7 C 5H@: < H G9A #: @CGHHLH F98 6@57?	Ô GK ;
: 85@	85HP %\$#%+ #&\$%	8C BC HG7 5 @9 8F5K B:	#B. ' &' -!K %
: <			G<H'C:)