

APSCO LIFT AXLE CONTROLS

ALC-100 CONTROLLER FOR STEERABLE AND NON-STEERABLE LIFT AXLES

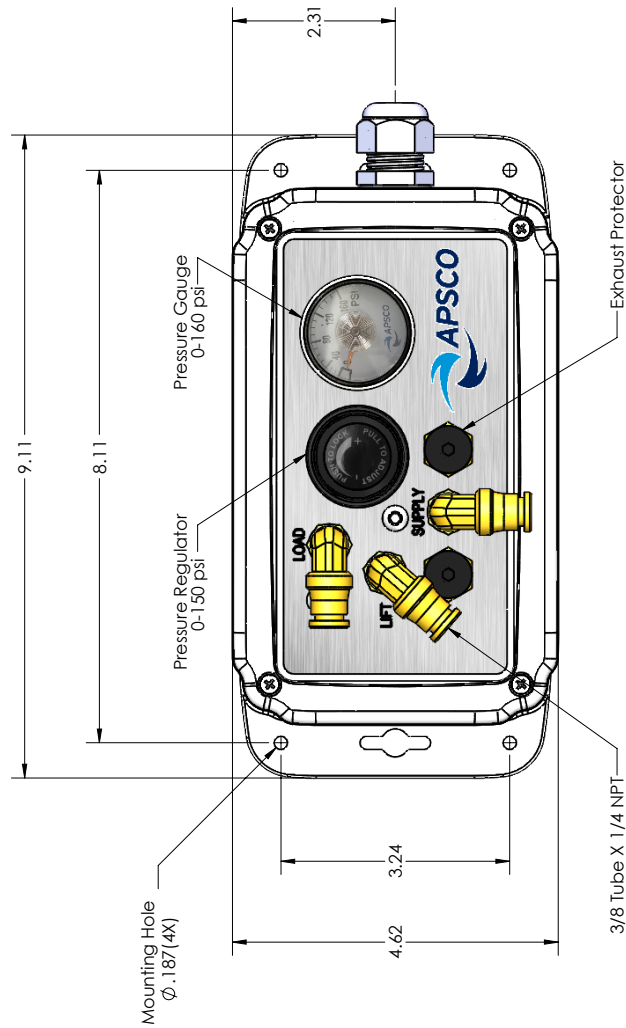
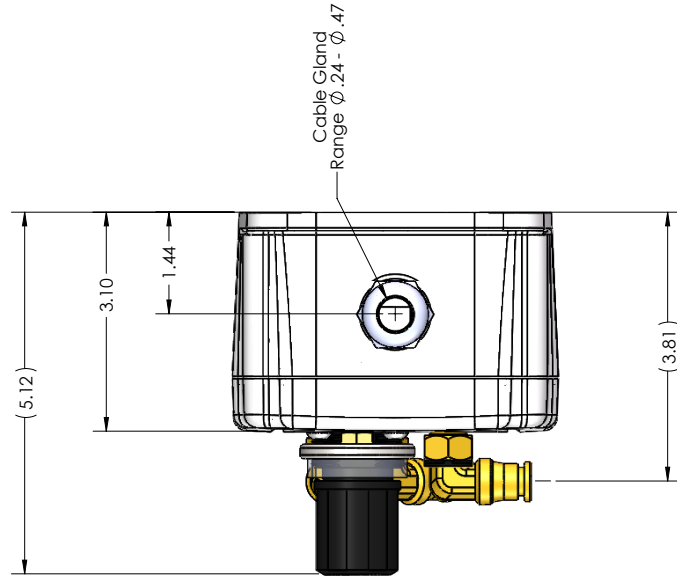


- Everything you need for the control of a lift axle in one compact package.
- Engineered to keep dirt and water outside of the box where they belong.
- True waterproof design, manufactured to keep your controls clean and dry. Designed to withstand the harsh environment common in heavy duty truck applications.
- Lightweight and compact.
- Durable pressure gauge designed to withstand shock and vibration.
- Pressure regulator with locking adjustment knob.

SEE OUR COMPLETE LINE AT APSCOPOWER.COM



APSCO LIFT AXLE CONTROLS



Enclosure Rating.....1P 66 / NEMA 4X
 Enclosure MaterialWaterproof Polycarbonate
 All ports labeled for ease of installation.

SEE OUR COMPLETE LINE AT APSCOPOWER.COM

