



# Backlight Gauges

Versatile mechanical gauge with backlight for improved visibility. Back U-clamp allows easy installation into panel.

## SPECIFICATIONS

- Dial Size: 2"
- Connection Size: 1/8" NPT
- All Steel Case with Chrome Bezel
- Glass Window
- Brass Bourdon Tube & Socket
- Accuracy: 3-2-3% Accuracy (ASME Grade B)
- Scale and Range: 0-160 PSI
- Ambient Temp: -50°F - 160°F

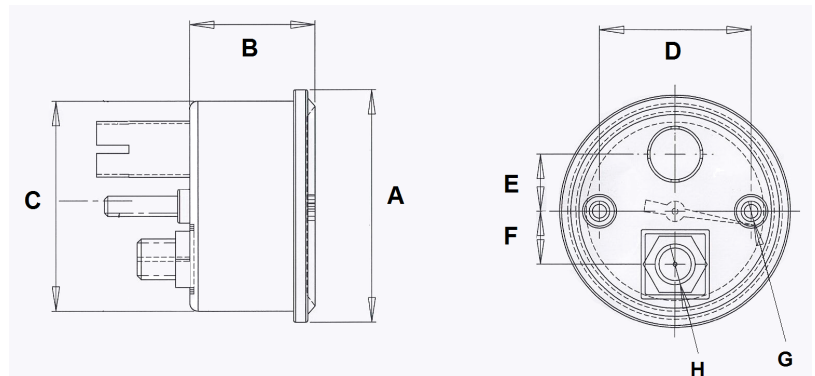


*Design meets or exceeds ASME B40.100 pressure gauge standard.*

## AVAILABLE OPTIONS\*

- Custom Dial
- Special Ranges
- Custom Lens Material
- Dampened movement

\*Lead times may apply



Dial	Unit	A	B	C	D	E	F	G	H
2"	In.	2.24"	1.22"	2.03"	1.48"	0.55"	0.51"	M5-0.8	1/8" NPT
	mm	57	31	51.5	37.5	14	13		

Because of continuing improvements, specifications are subject to change without notice.