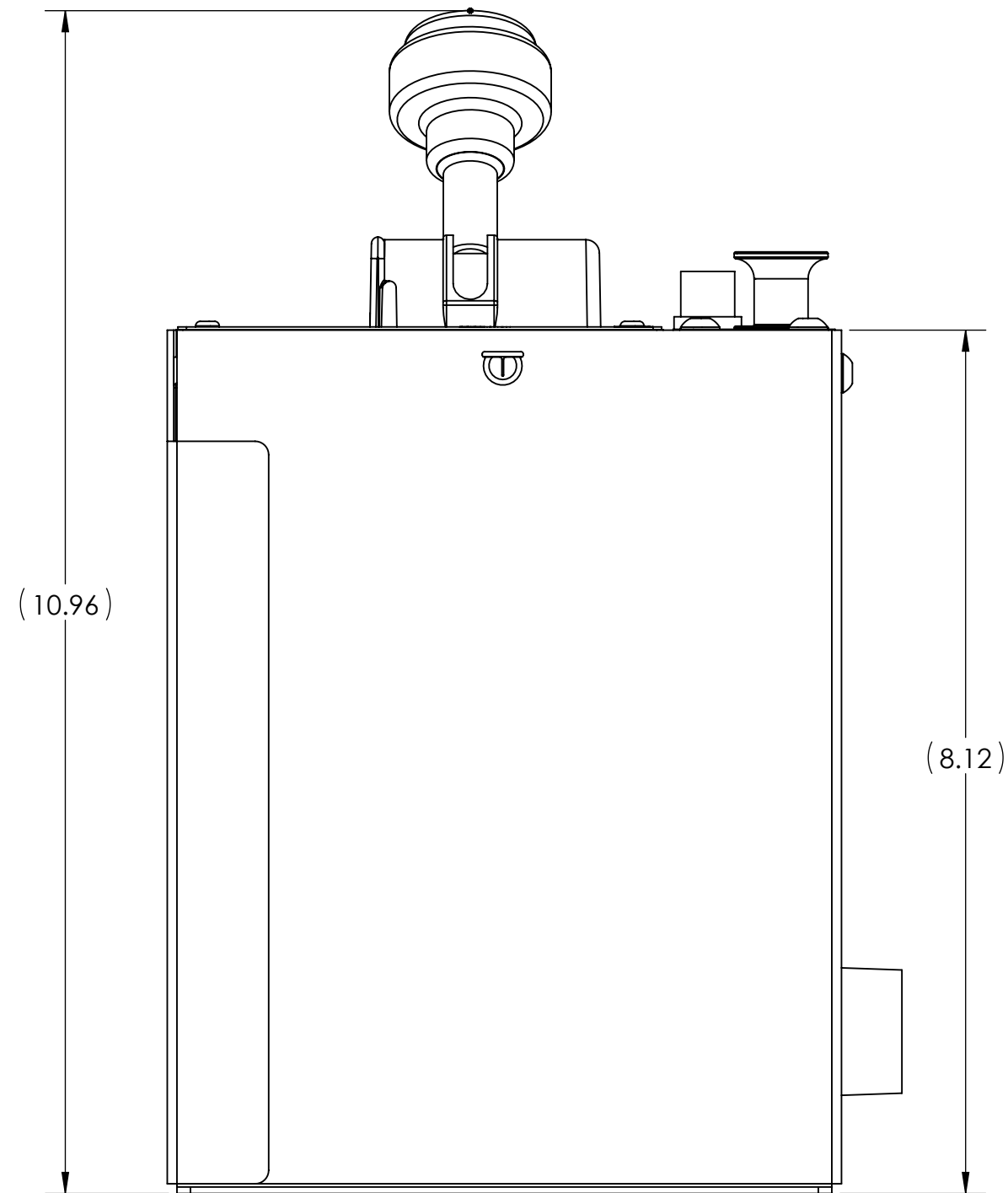
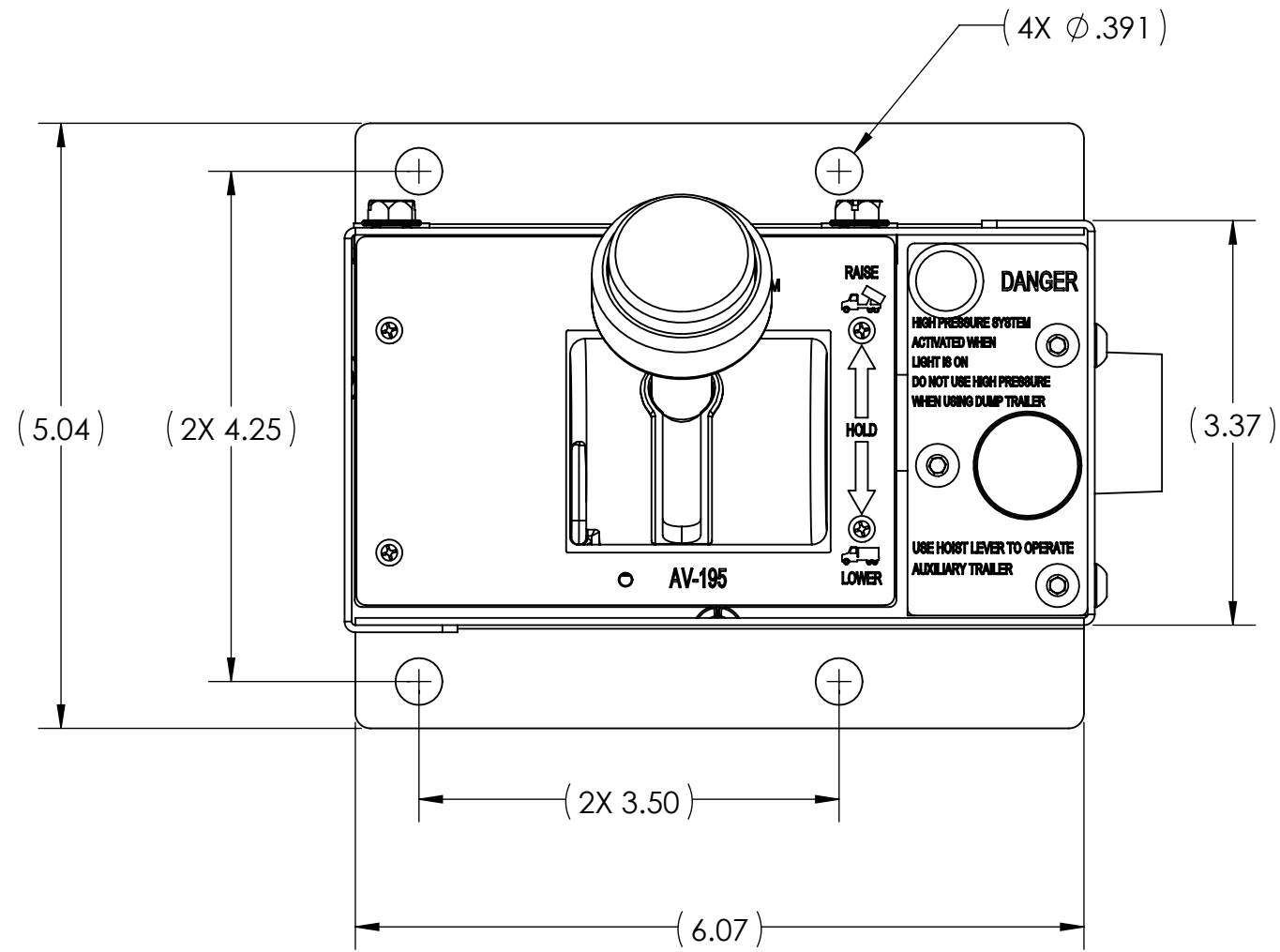
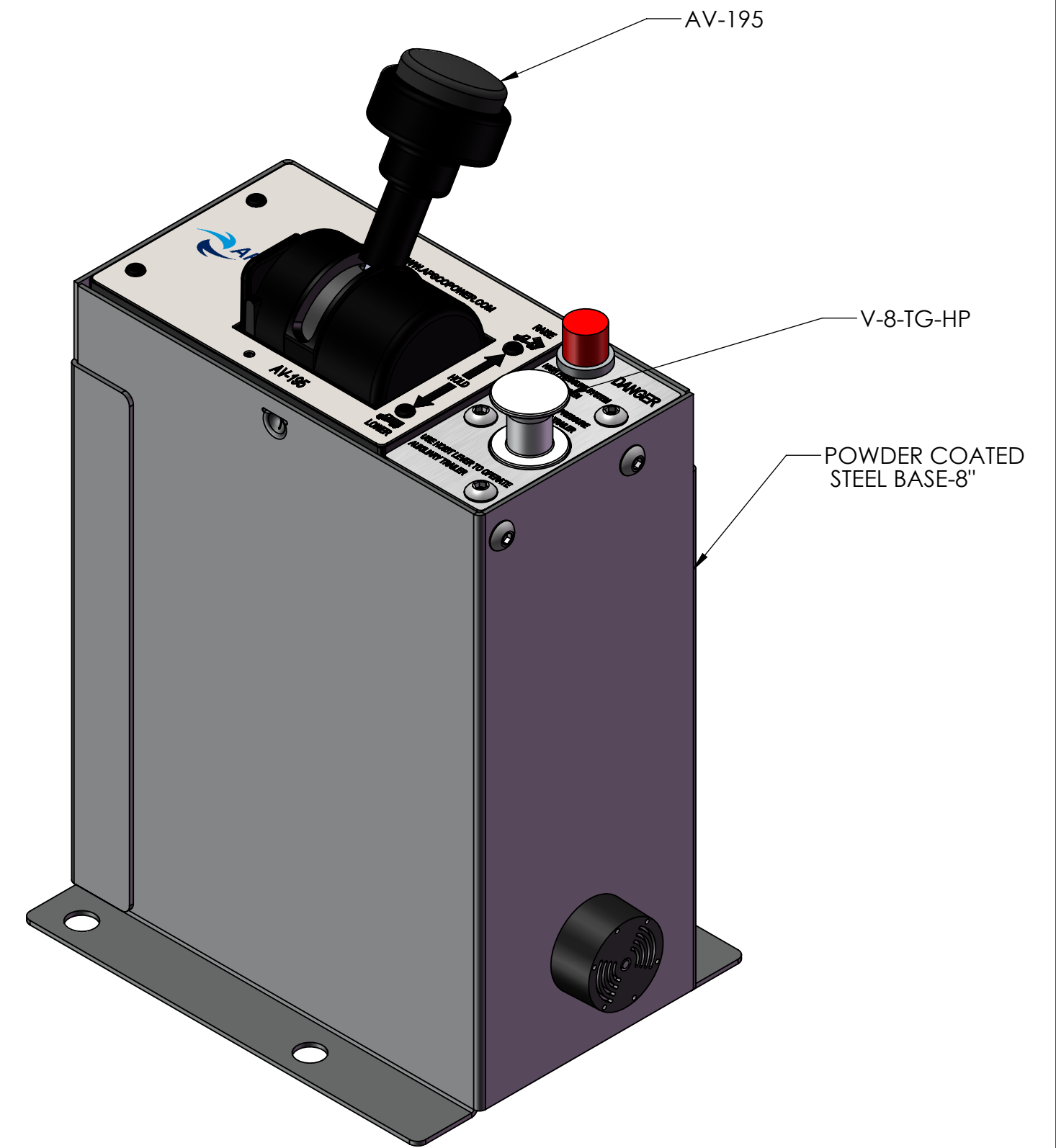


NOTES (UNLESS OTHERWISE SPECIFIED)  
 1. BREAK ALL SHARP EDGES  
 2. REMOVE ALL BURRS FOR SAFE HANDLING



REVISIONS					
ECR	REVISION	DESCRIPTION	CHANGED BY	DATE	APPROVED BY
3890	A	NEW RELEASE	VD	01/29/2021	RT



**PROPRIETARY AND CONFIDENTIAL**  
 THE INFORMATION CONTAINED IN THIS DRAWING IS THE SOLE PROPERTY OF APSCO Inc.. ANY REPRODUCTION IN PART OR AS A WHOLE WITHOUT WRITTEN PERMISSION OF APSCO Inc. IS PROHIBITED.

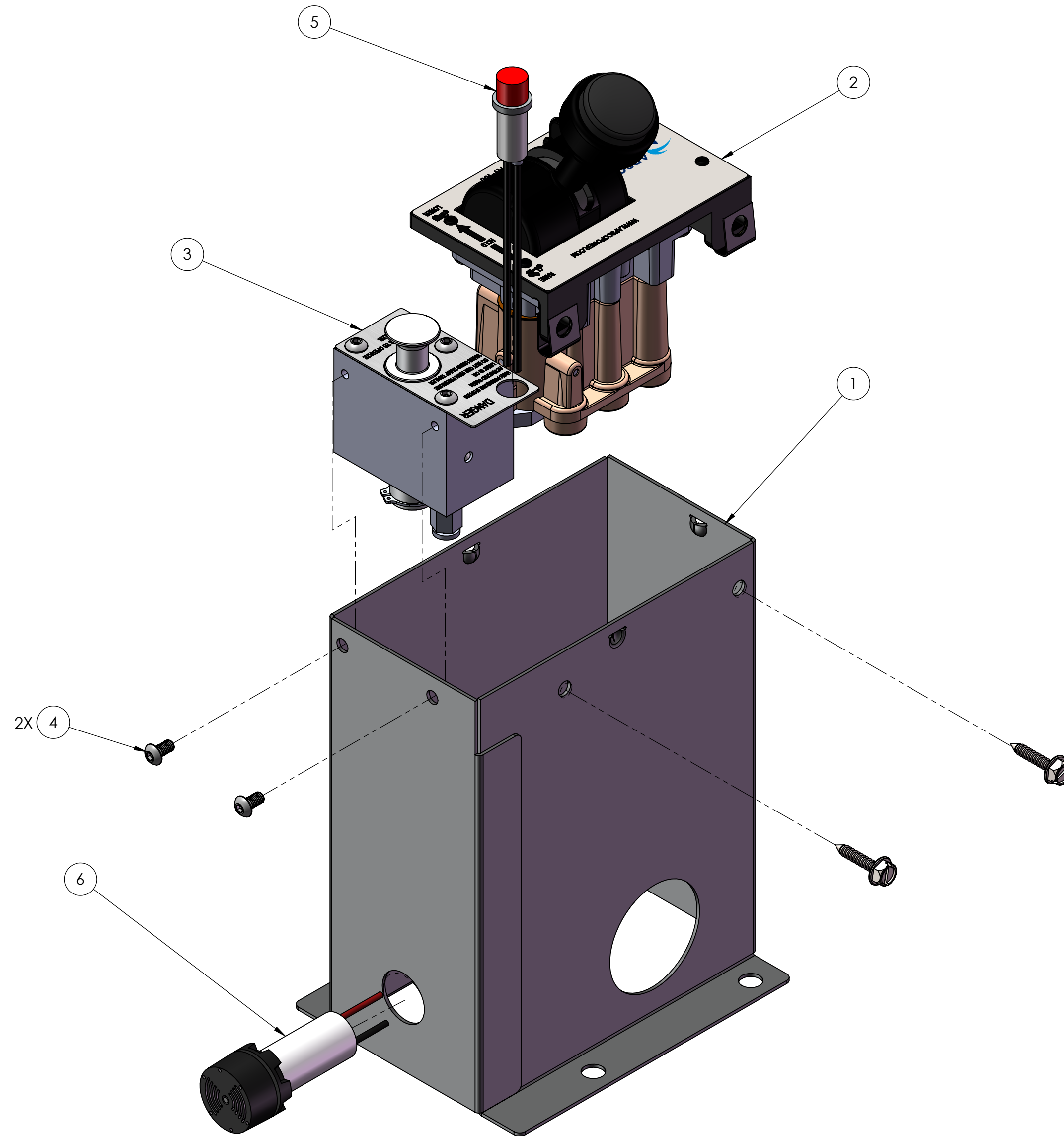
TYPE OF PROJECTION		MATERIAL
THIRD ANGLE PROJECTION		N/A
DRAWN	DATE	FINISH
RD	01/29/2021	
CHECKED	DATE	
RR	01/29/2021	
APPROVED	DATE	N/A
RT	01/29/2021	
FINAL	DATE	
RT	01/29/2021	



TITLE: HOIST VAL 8" CON HI PRES		
UNLESS OTHERWISE SPECIFIED DIMENSIONS ARE IN INCHES TOLERANCES ARE:		DWG. NO.
DECIMALS .X = ±.06	SURFACE FINISH: 63	AVC-195-HP-8
.XX = ±.03	ANGLES ± 2°	SHEET SIZE
.XXX = ±.010	HOLES LOCATION ± .005	SCALE
DO NOT SCALE DRAWING		REVISION
F/N: AVC-195-HP-8		C 2:3 A
		SHT. 1 OF 4

REVISIONS

ECR	REVISION	DESCRIPTION	CHANGED BY	DATE	APPROVED BY
3890	A	NEW RELEASE	VD	01/29/2021	RT



ITEM NO.	PART NUMBER	DESCRIPTION	QTY.
1	3239-W8-B	CONSOLE BASE 8" TG/BEEPER	1
2	AV-195	HOIST VALVE REG. APSCO	1
3	V-8-TG-HP	VALVE APSCO 4-WAY HI PRESSURE	1
4	2447	CAPS 10-32 X 3/8 BH	2
5	4450	LIGHT INCANDESCENT	1
6	HPB-13-RB-16G	HPB-13-RB-16G	1
OPTIONAL TO HPB-13-RB-16G			
6	6758	BUZZER NON-LIGHTED 12V DC	1
	6758-2	LABOR/WIRE FOR BUZZER HP-13	1

**PROPRIETARY AND CONFIDENTIAL**  
 THE INFORMATION CONTAINED IN THIS DRAWING IS THE SOLE PROPERTY OF APSCO Inc.. ANY REPRODUCTION IN PART OR AS A WHOLE WITHOUT WRITTEN PERMISSION OF APSCO Inc. IS PROHIBITED.

**APSCO**  
 8178 EAST 44TH STREET  
 TULSA, OK 74145  
 (918) 622-5600

TITLE: HOIST VAL 8" CON HI PRES

UNLESS OTHERWISE SPECIFIED DIMENSIONS ARE IN INCHES TOLERANCES ARE:  
 DECIMALS .X = ±.06 .XX = ±.03 .XXX = ±.010 SURFACE FINISH: 63 ANGLES ± 2° HOLES ± .005 HOLES LOCATION ± .005 DO NOT SCALE DRAWING

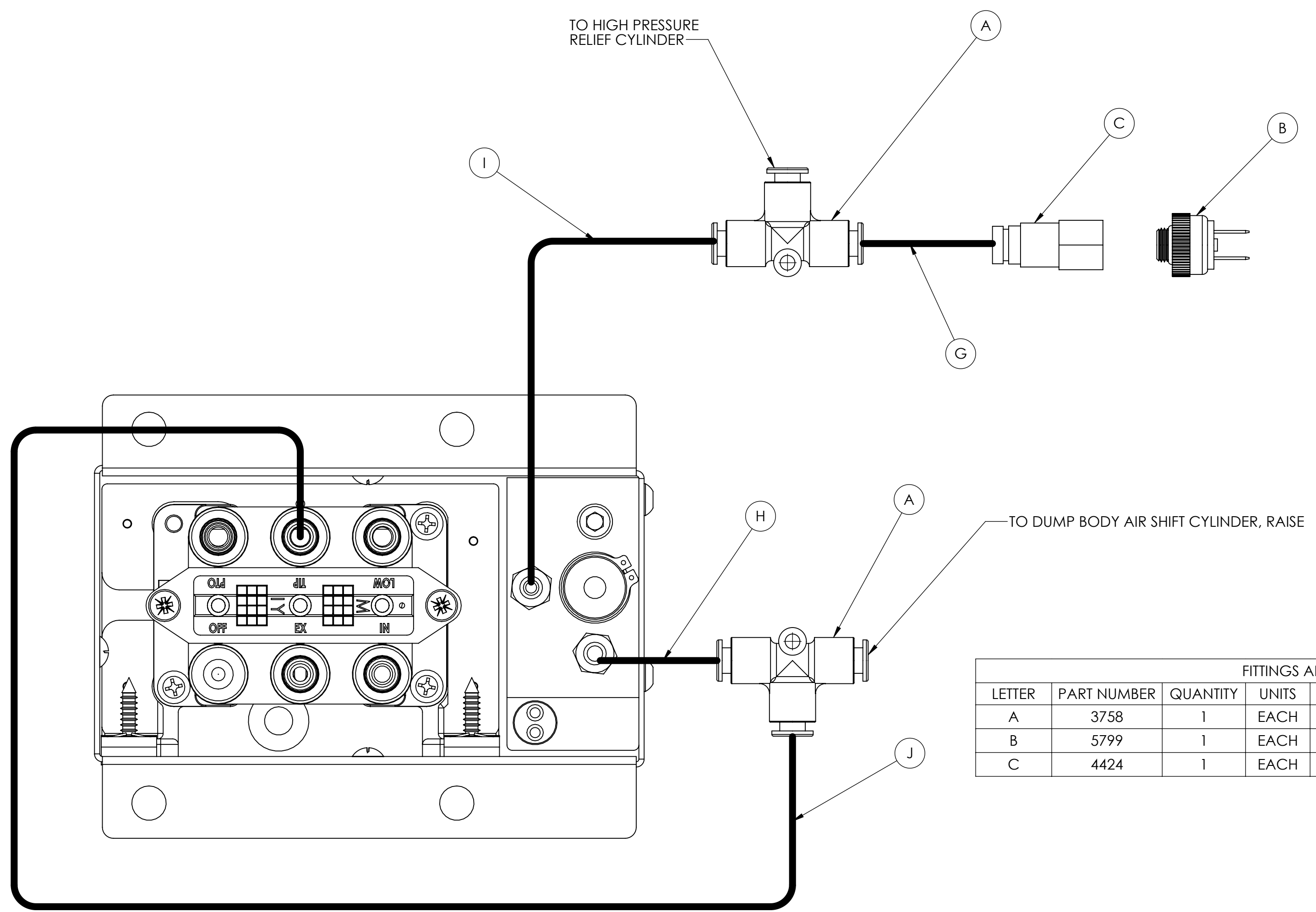
DWG. NO. **AVC-195-HP-8**

SHEET SIZE **C** SCALE **2:3** REVISION **A**

F/N: AVC-195-HP-8 SHT. 2 OF 4

TYPE OF PROJECTION	MATERIAL
THIRD ANGLE PROJECTION	N/A
DRAWN RD DATE 01/29/2021	FINISH N/A
CHECKED RR DATE 01/29/2021	
APPROVED RT DATE 01/29/2021	
FINAL RT DATE 01/29/2021	

REVISIONS					
ECR	REVISION	DESCRIPTION	CHANGED BY	DATE	APPROVED BY
3890	A	NEW RELEASE	VD	01/29/2021	RT



FITTINGS AND SWITCHES					
LETTER	PART NUMBER	QUANTITY	UNITS	DESCRIPTION	
A	3758	1	EACH	TEE UNION 1/4 TUBE	
B	5799	1	EACH	PRESSURE SWITCH AIR	
C	4424	1	EACH	FITTING QC 1/4 TUBE 1/8NPT FE	

TUBES					
LETTER	PART NUMBER	LENGTH	UNITS	QUANTITY	DESCRIPTION
G	1707	1	INCHES	1	TUBE 1/4 DOT BLACK
H	1707	2	INCHES	1	TUBE 1/4 DOT BLACK
I	1707	4	INCHES	1	TUBE 1/4 DOT BLACK
J	1707	5	INCHES	1	TUBE 1/4 DOT BLACK

**PROPRIETARY AND CONFIDENTIAL**  
 THE INFORMATION CONTAINED IN THIS DRAWING IS THE SOLE PROPERTY OF APSCO Inc.. ANY REPRODUCTION IN PART OR AS A WHOLE WITHOUT WRITTEN PERMISSION OF APSCO Inc. IS PROHIBITED.

**APSCO**  
 8178 EAST 44TH STREET  
 TULSA, OK 74145  
 (918) 622-5600

TITLE: HOIST VAL 8" CON HI PRES

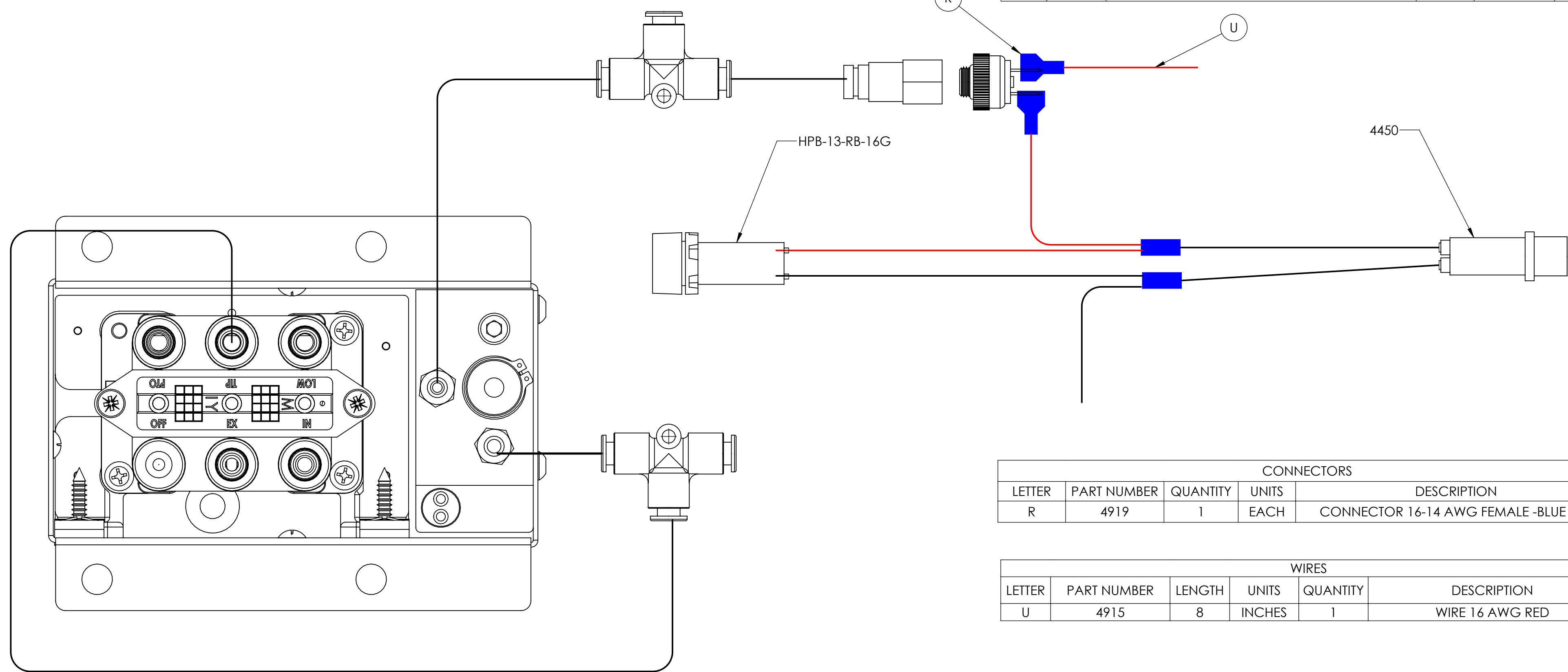
UNLESS OTHERWISE SPECIFIED DIMENSIONS ARE IN INCHES TOLERANCES ARE:  
 DECIMALS .X = ±.06 SURFACE FINISH: 63  
 .XX = ±.03 ANGLES ± 2°  
 .XXX = ±.010 HOLES ± .005  
 HOLES LOCATION ± .005  
 DO NOT SCALE DRAWING

DWG. NO. **AVC-195-HP-8**

SHEET SIZE	SCALE	REVISION
<b>C</b>	<b>2:3</b>	<b>A</b>

F/N: AVC-195-HP-8 SHT. 3 OF 4

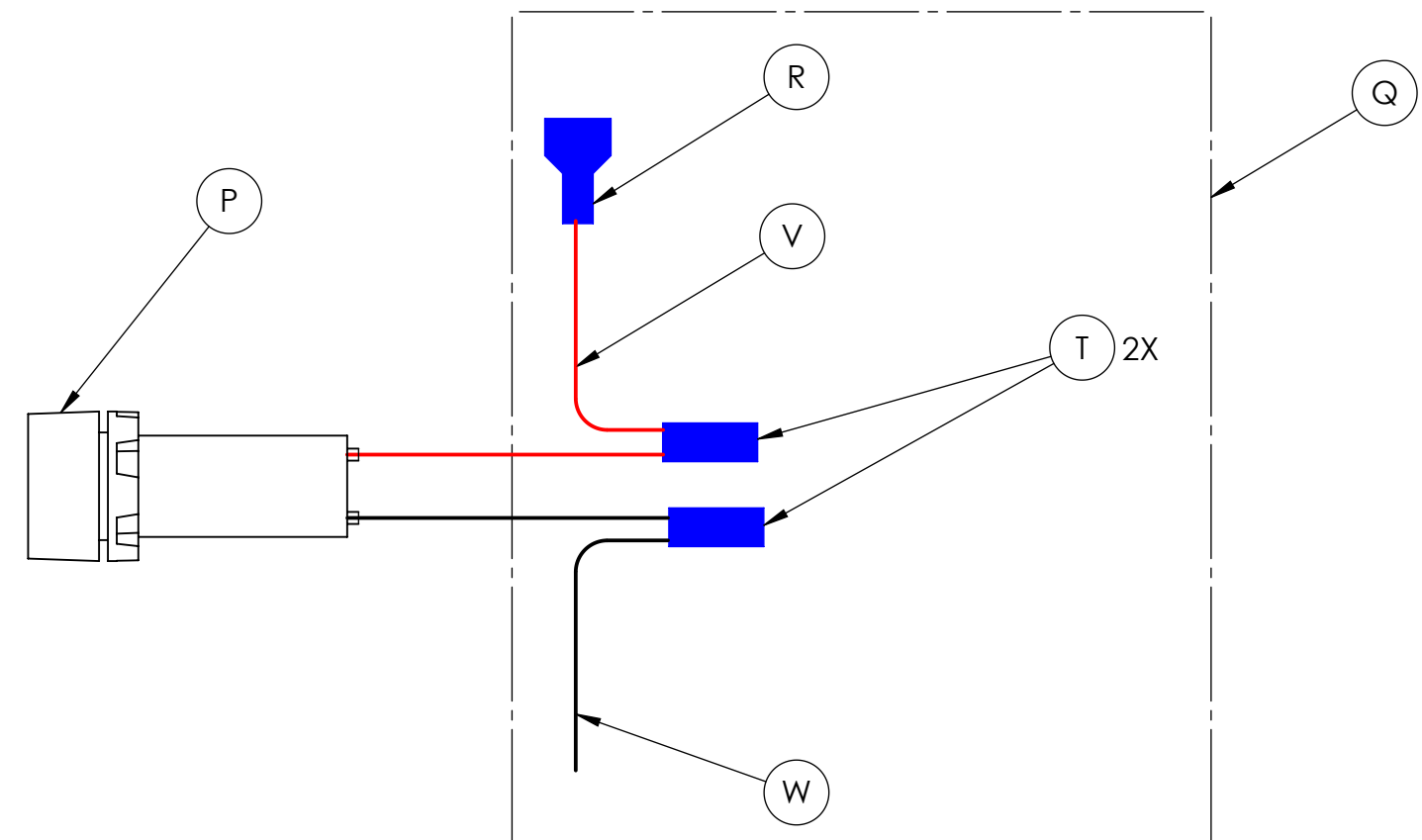
REVISIONS					
ECR	REVISION	DESCRIPTION	CHANGED BY	DATE	APPROVED BY
3890	A	NEW RELEASE	VD	01/29/2021	RT



CONNECTORS				
LETTER	PART NUMBER	QUANTITY	UNITS	DESCRIPTION
R	4919	1	EACH	CONNECTOR 16-14 AWG FEMALE -BLUE TAB

WIRES					
LETTER	PART NUMBER	LENGTH	UNITS	QUANTITY	DESCRIPTION
U	4915	8	INCHES	1	WIRE 16 AWG RED

**HPB-13-RB-16G**



HPB-13-RB-16G				
LETTER	PART NUMBER	UNITS	QUANTITY	DESCRIPTION
P	6758	EACH	1	BUZZER NON-LIGHTED 12V DC
Q	6758-2	EACH	1	LABOR/WIRE FOR BUZZER HP-13

6758-2					
LETTER	PART NUMBER	LENGTH	UNITS	QUANTITY	DESCRIPTION
R	4919	N/A	EACH	1	CONNECTOR 16-14 AWG FEMALE -BLUE TAB
T	4917	N/A	EACH	2	CONNECTOR 16-14 AWG BUTT BLUE
V	4915	14	INCHES	1	WIRE 16 AWG RED
W	4916	14	INCHES	1	WIRE 16 AWG BLACK

**PROPRIETARY AND CONFIDENTIAL**  
 THE INFORMATION CONTAINED IN THIS DRAWING IS THE SOLE PROPERTY OF APSCO Inc.. ANY REPRODUCTION IN PART OR AS A WHOLE WITHOUT WRITTEN PERMISSION OF APSCO Inc. IS PROHIBITED.

**TYPE OF PROJECTION**  
 THIRD ANGLE PROJECTION

**MATERIAL**  
 N/A

**FINISH**  
 N/A

DRAWN	RD	DATE	01/29/2021
CHECKED	RR	DATE	01/29/2021
APPROVED	RT	DATE	01/29/2021
FINAL	RT	DATE	01/29/2021

**APSCO**  
 8178 EAST 44TH STREET  
 TULSA, OK 74145  
 (918) 622-5600

TITLE: HOIST VAL 8" CON HI PRES

UNLESS OTHERWISE SPECIFIED DIMENSIONS ARE IN INCHES TOLERANCES ARE:		DWG. NO. AVC-195-HP-8	
DECIMALS .X = ±.06	SURFACE FINISH: 63	SHEET SIZE C	SCALE 2:3
.XX = ±.03	ANGLES ± 2°	REVISION A	
.XXX = ±.010	HOLES LOCATION ± .005		

DO NOT SCALE DRAWING

F/N: AVC-195-HP-8