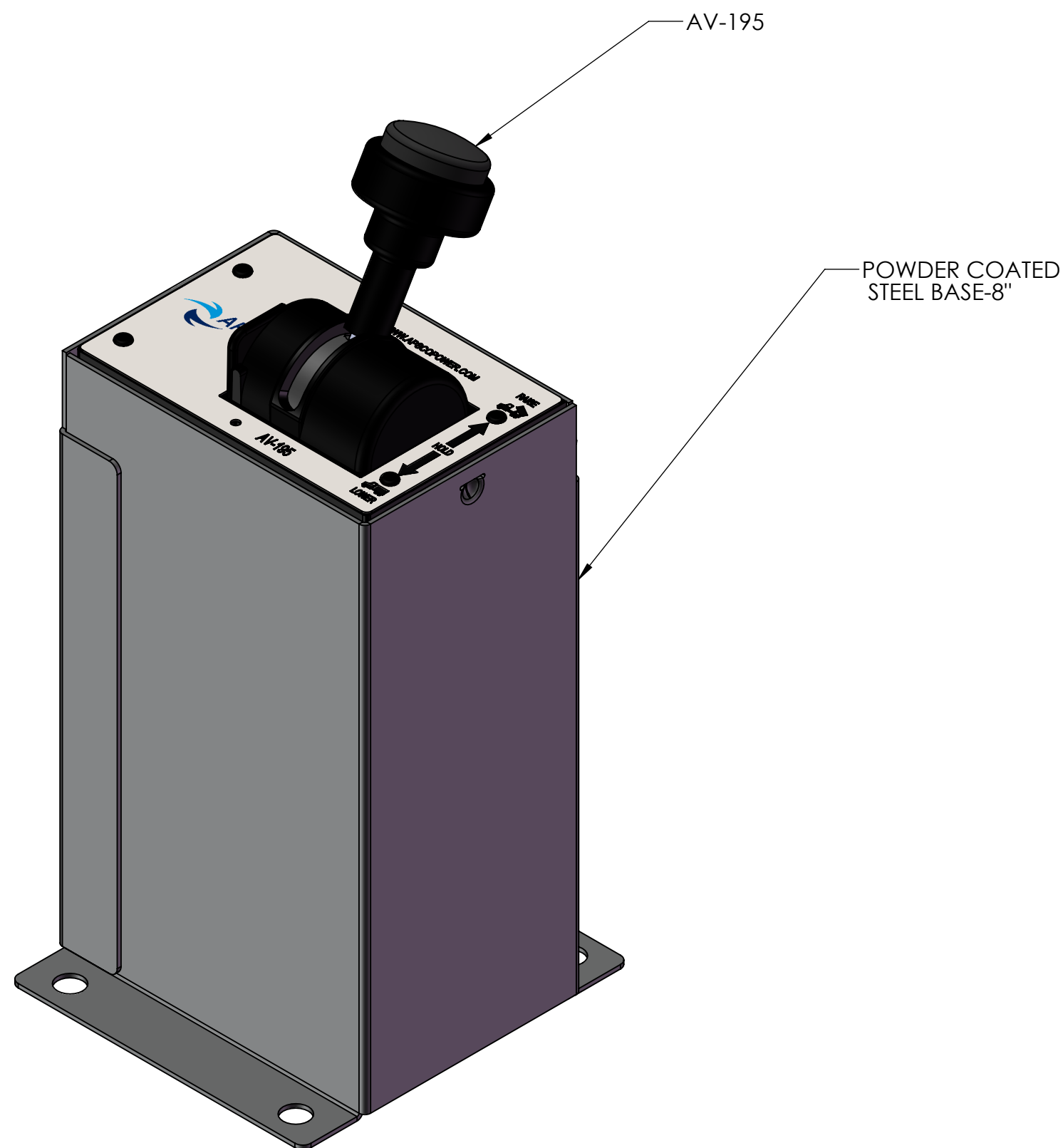
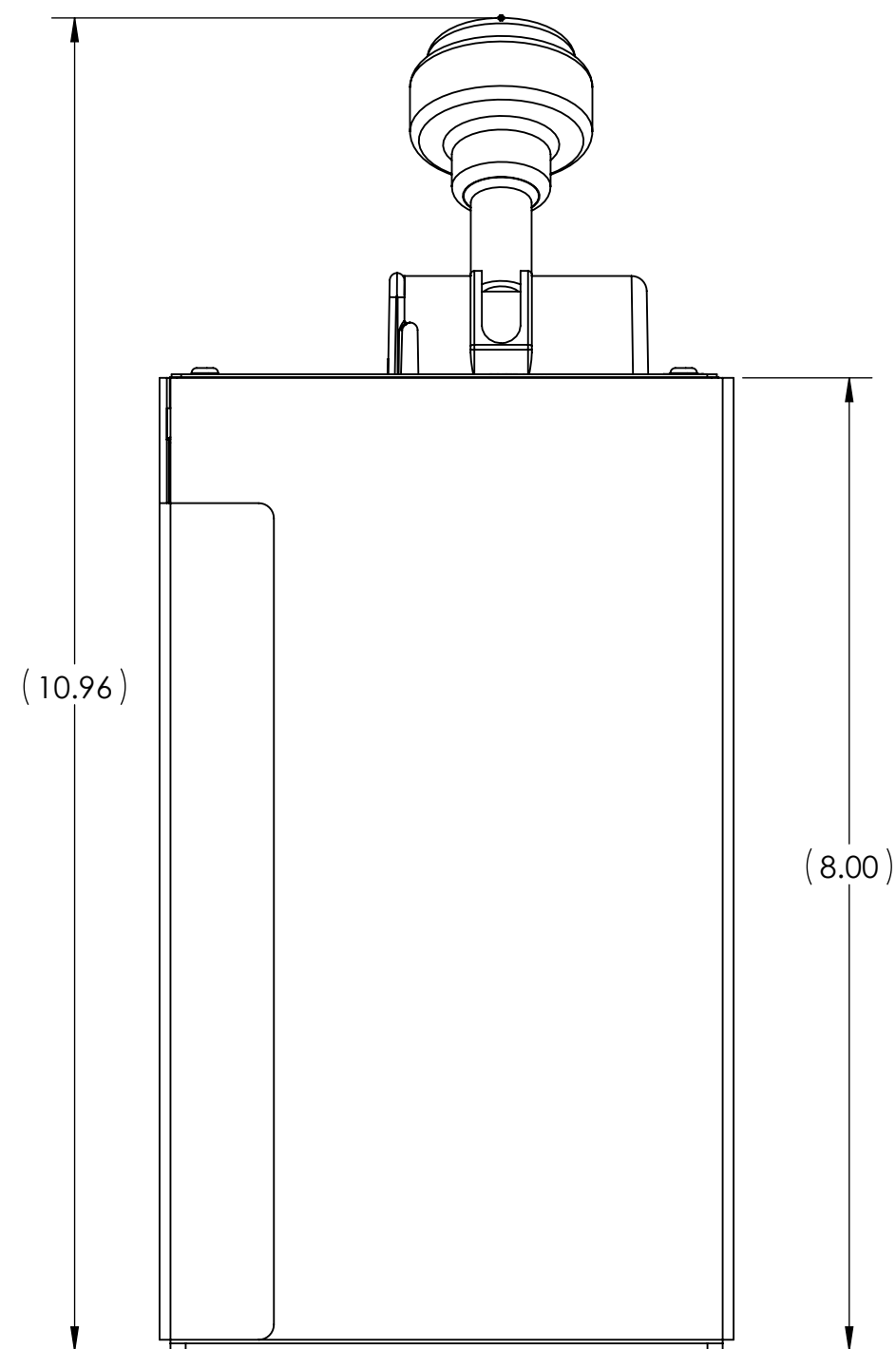
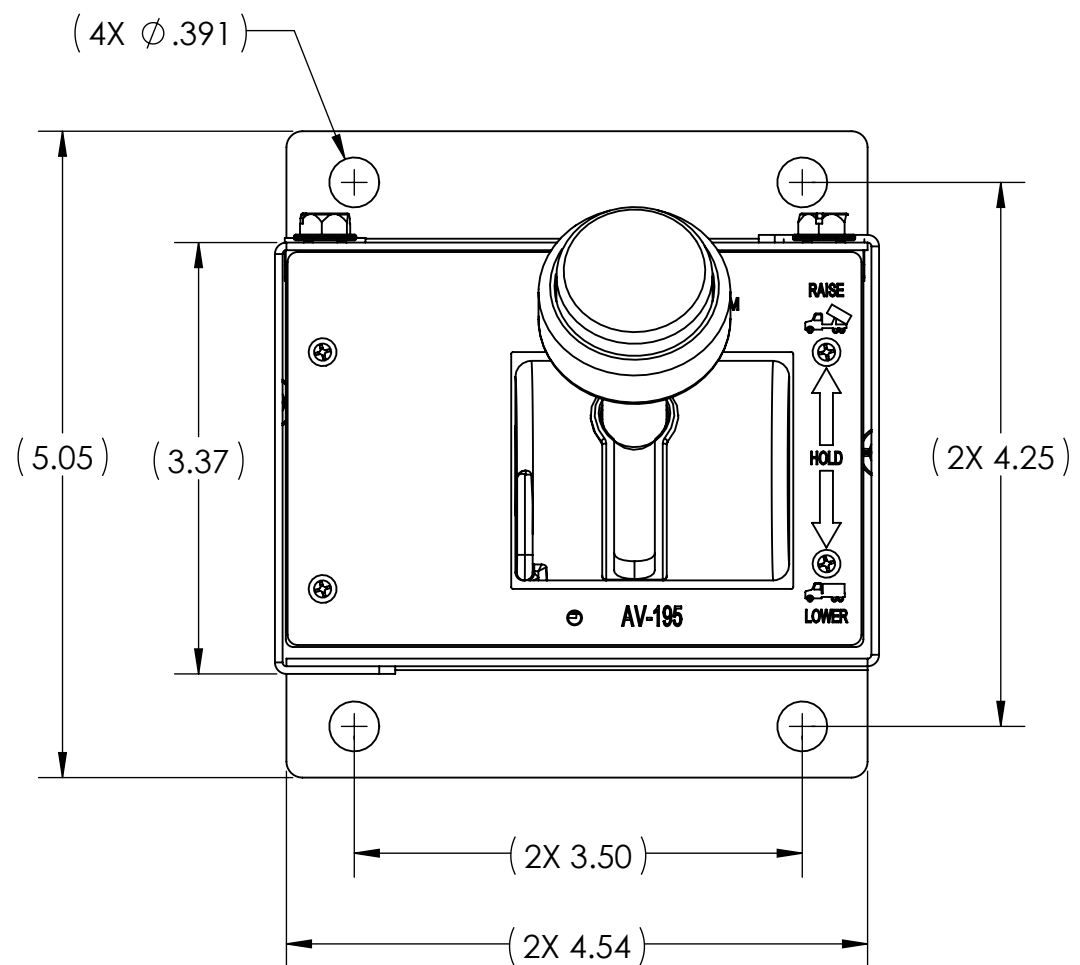
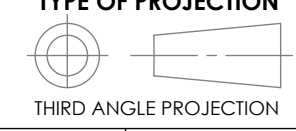


NOTES (UNLESS OTHERWISE SPECIFIED)
 1. BREAK ALL SHARP EDGES
 2. REMOVE ALL BURRS FOR SAFE HANDLING

REVISIONS					
ECR	REVISION	DESCRIPTION	CHANGED BY	DATE	APPROVED BY
3890	A	NEW RELEASE	VD	01/29/2021	RT



PROPRIETARY AND CONFIDENTIAL
 THE INFORMATION CONTAINED IN THIS DRAWING IS THE SOLE PROPERTY OF APSCO Inc.. ANY REPRODUCTION IN PART OR AS A WHOLE WITHOUT WRITTEN PERMISSION OF APSCO Inc. IS PROHIBITED.

TYPE OF PROJECTION		MATERIAL
 THIRD ANGLE PROJECTION		N/A
DRAWN	DATE	FINISH
RD	01/29/2021	
CHECKED	DATE	
RR	01/29/2021	
APPROVED	DATE	N/A
RT	01/29/2021	
FINAL	DATE	
RT	01/29/2021	

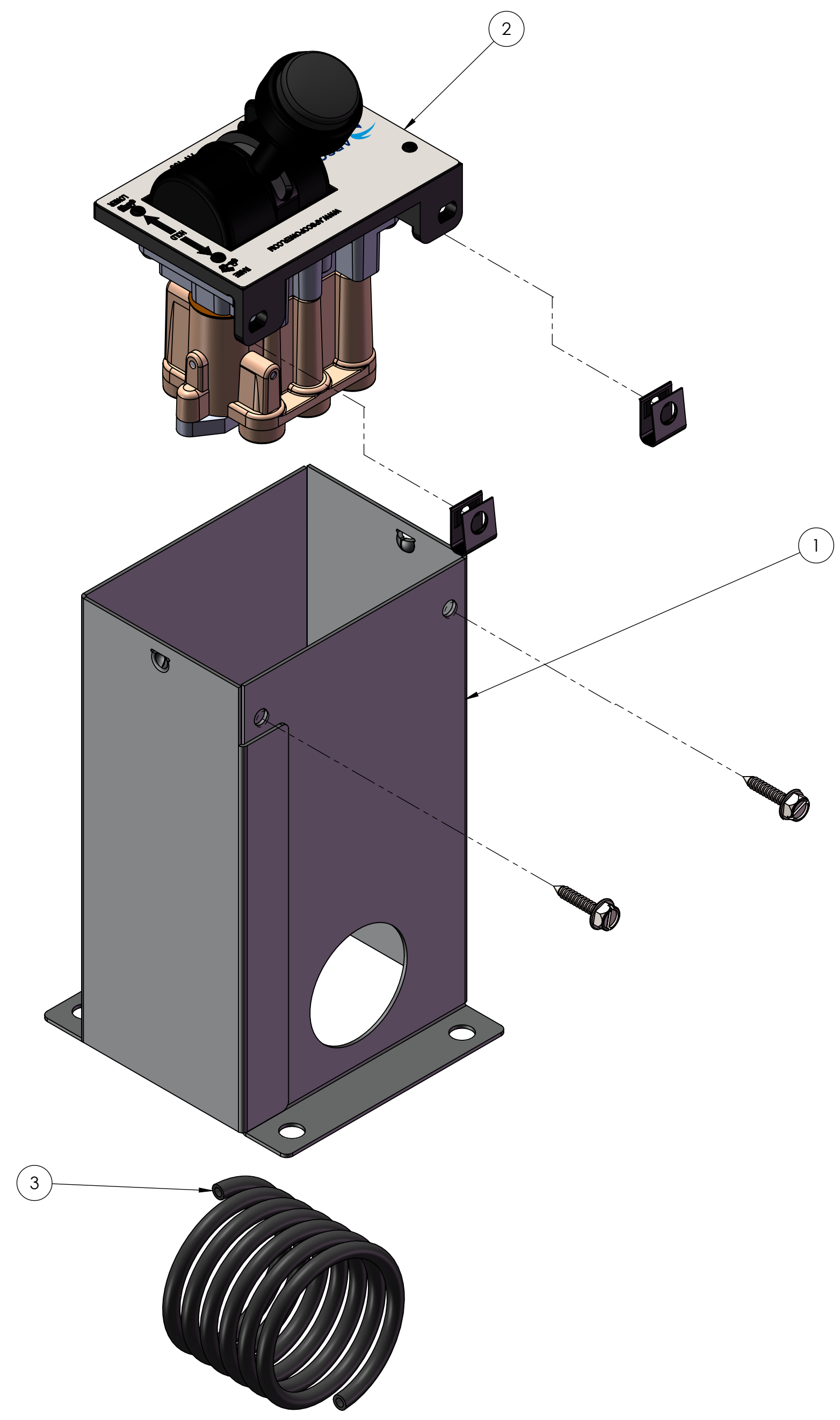


TITLE: HOIST/ NO PTO VAL 8" CON TUBE		
UNLESS OTHERWISE SPECIFIED DIMENSIONS ARE IN INCHES TOLERANCES ARE:		DWG. NO. AVC-195-T-8
DECIMALS	SURFACE FINISH: 63	SHEET SIZE SCALE REVISION
.X = ±.06	ANGLES ± 2°	
.XX = ±.03	HOLES ± .005	
.XXX = ±.010	HOLES LOCATION ± .005	C 2:3 A
DO NOT SCALE DRAWING		
F/N: AVC-195-T-8		SHT. 1 OF 2

8 7 6 5 4 3 2 1

REVISIONS

ECR	REVISION	DESCRIPTION	CHANGED BY	DATE	APPROVED BY
3890	A	NEW RELEASE	VD	01/29/2021	RT



ITEM NO.	PART NUMBER	DESCRIPTION	QTY.
1	3239-8	CONSOLE BASE 8" AV-295 SERIE	1
2	AV-195	HOIST VALVE REG. APSCO	1
3	1707-30	TUBE 1/4 DOT BLACK 30' ROLL	1

PROPRIETARY AND CONFIDENTIAL
 THE INFORMATION CONTAINED IN THIS DRAWING IS THE SOLE PROPERTY OF APSCO Inc.. ANY REPRODUCTION IN PART OR AS A WHOLE WITHOUT WRITTEN PERMISSION OF APSCO Inc. IS PROHIBITED.

APSCO
 8178 EAST 44TH STREET
 TULSA, OK 74145
 (918) 622-5600

TITLE: HOIST/ NO PTO VAL 8" CON TUBE

UNLESS OTHERWISE SPECIFIED DIMENSIONS ARE IN INCHES TOLERANCES ARE:
 DECIMALS .X = ±.06 .XX = ±.03 .XXX = ±.010 SURFACE FINISH: 63 ANGLES ± 2° HOLES ± .005 HOLES LOCATION ± .005 DO NOT SCALE DRAWING

TYPE OF PROJECTION: THIRD ANGLE PROJECTION
 MATERIAL: N/A
 FINISH: N/A

DRAWN	RD	DATE	01/29/2021
CHECKED	RR	DATE	01/29/2021
APPROVED	RT	DATE	01/29/2021
FINAL	RT	DATE	01/29/2021

DWG. NO.	AVC-195-T-8	
SHEET SIZE	SCALE	REVISION
C	2:3	A

F/N: AVC-195-T-8 SHT. 2 OF 2

8 7 6 5 4 3 2 1