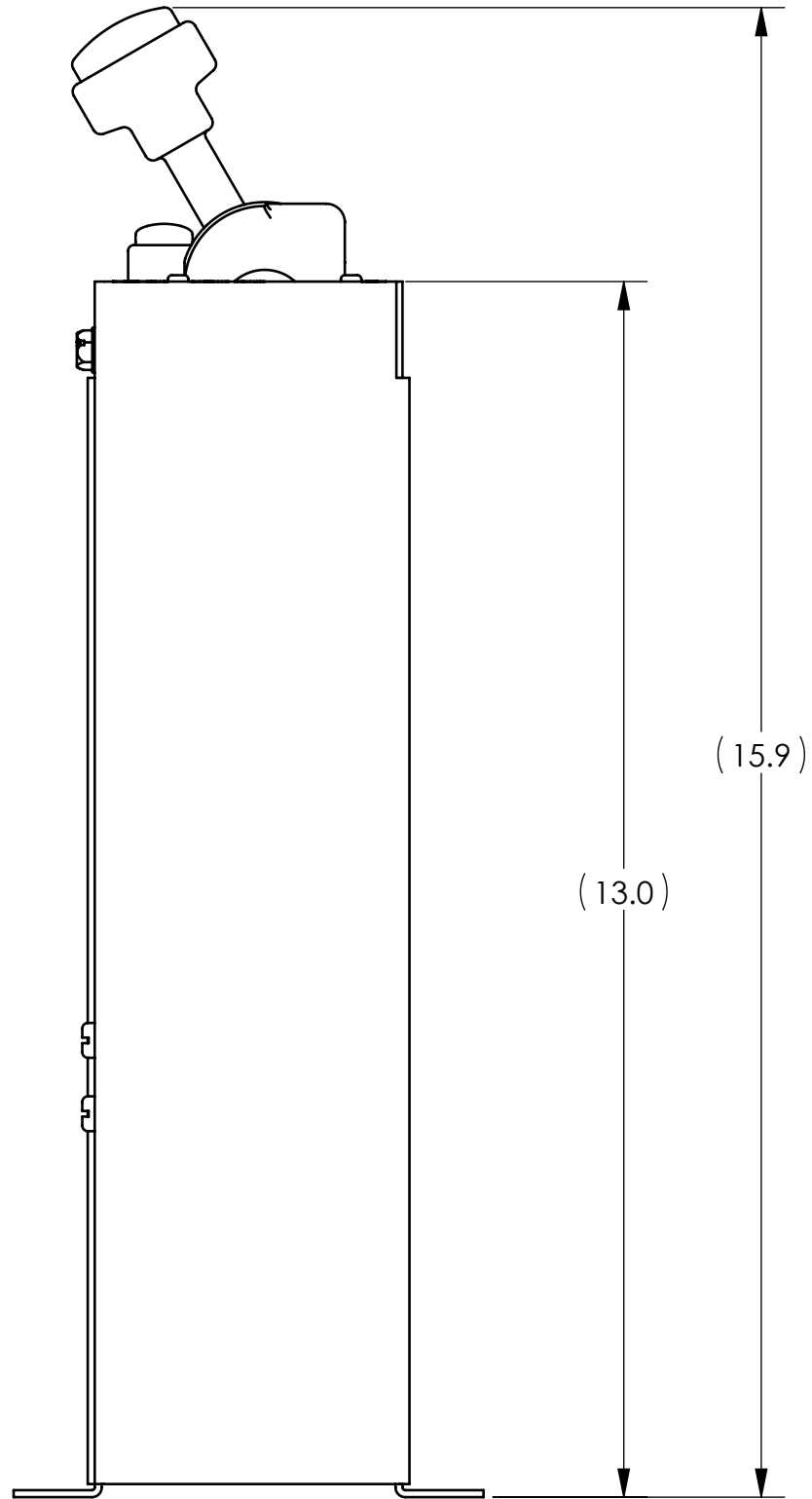
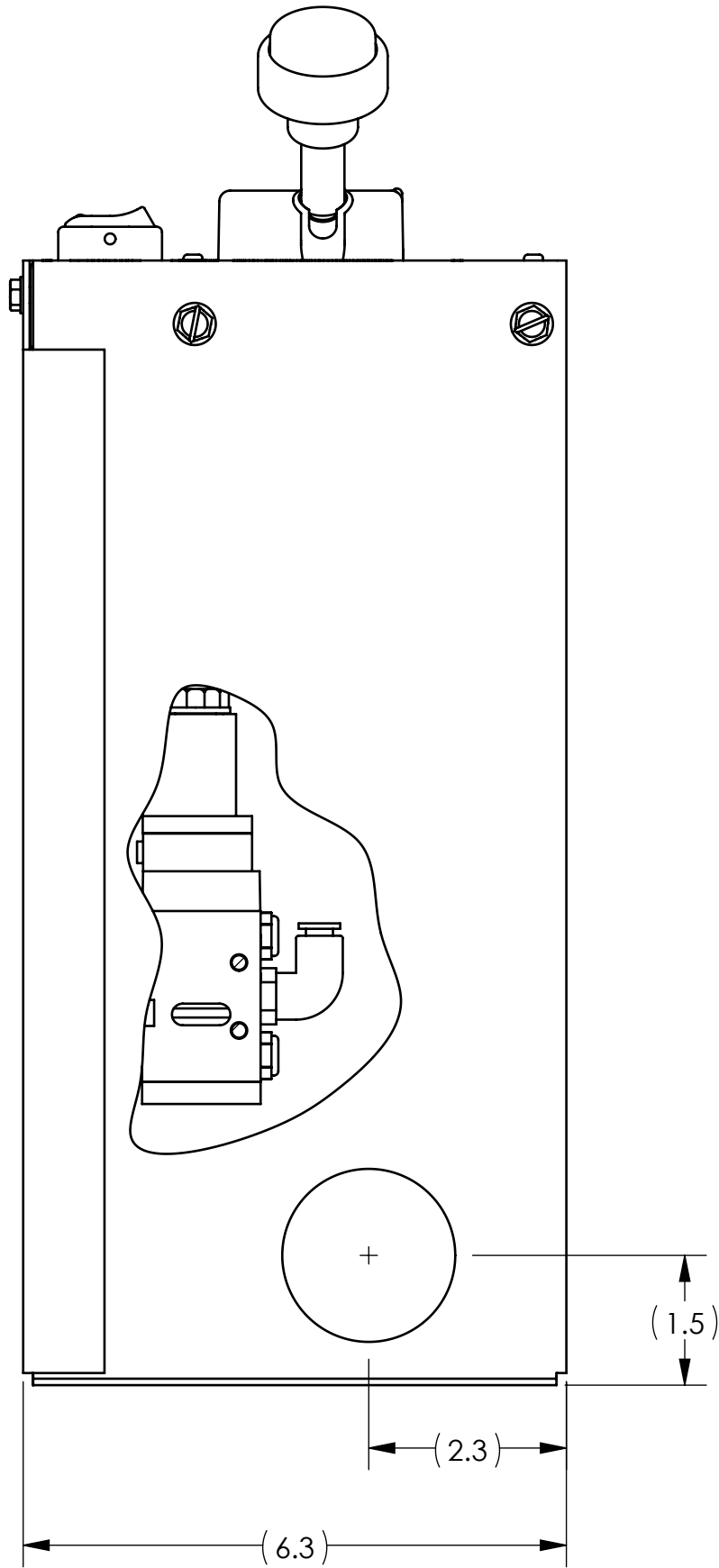
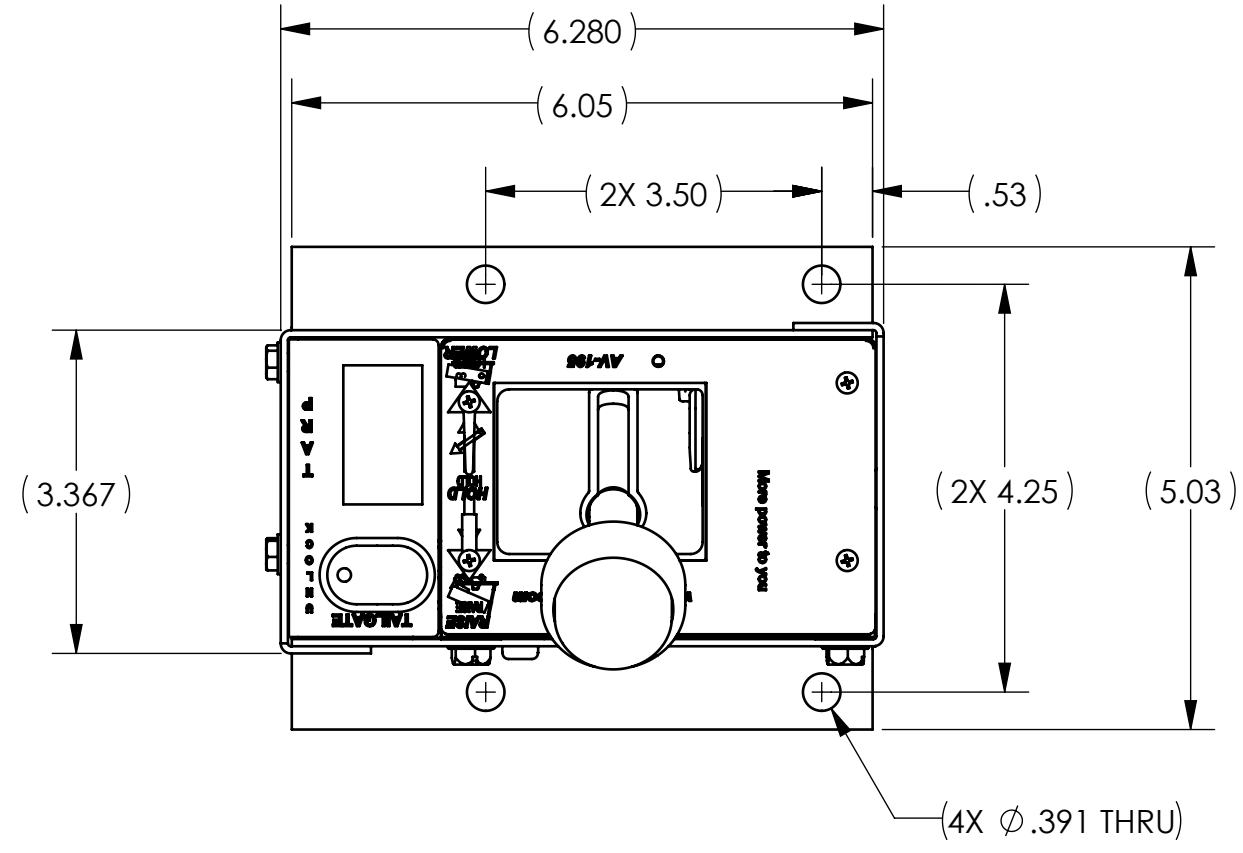
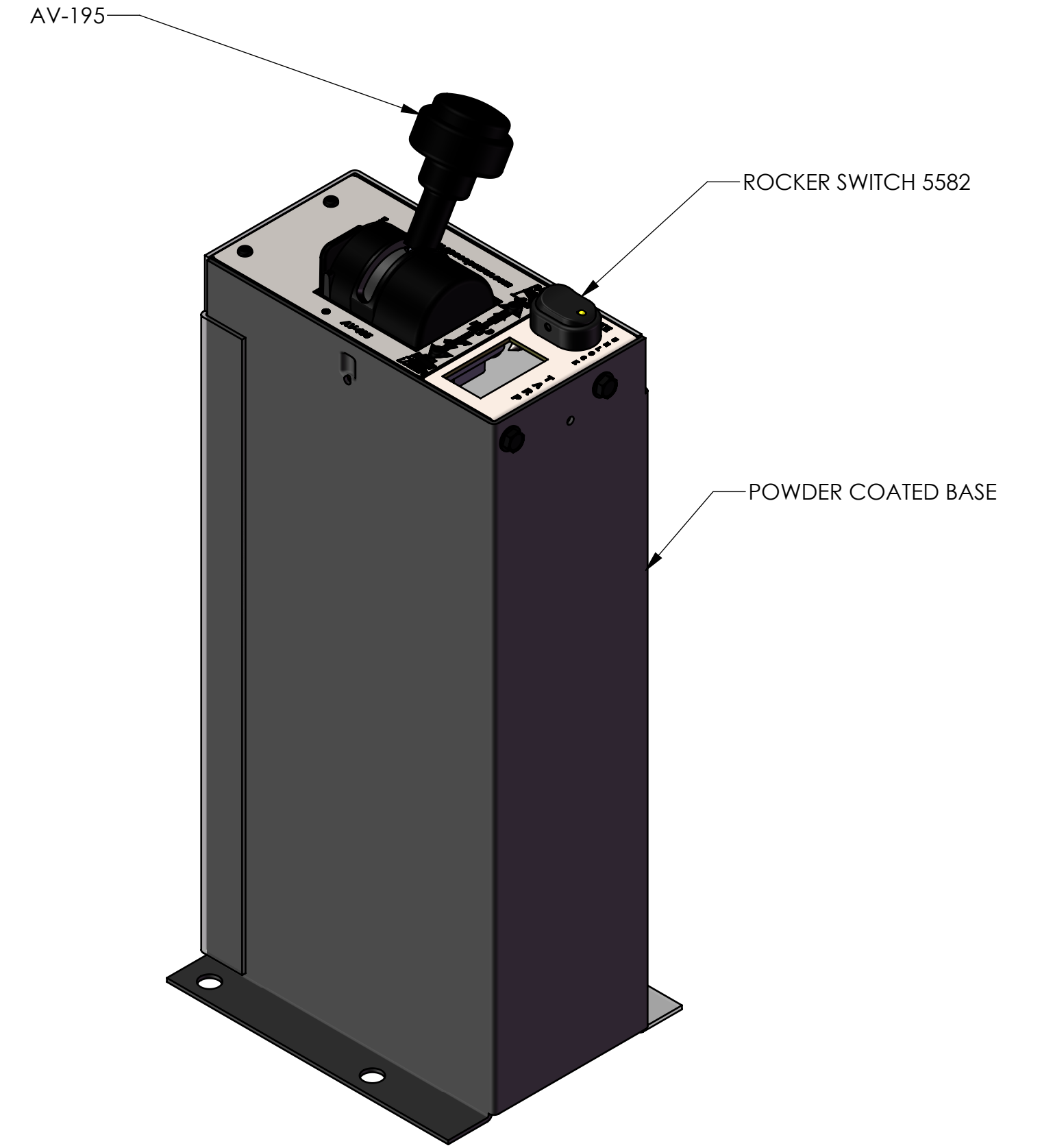


NOTES (UNLESS OTHERWISE SPECIFIED)
 1. BREAK ALL SHARP EDGES
 2. REMOVE ALL BURRS FOR SAFE HANDLING



REVISIONS					
ECR	REVISION	DESCRIPTION	CHANGED BY	DATE	APPROVED BY
3831	A	NEW RELEASE	VD	07/28/2020	RT



PROPRIETARY AND CONFIDENTIAL
 THE INFORMATION CONTAINED IN THIS DRAWING IS THE SOLE PROPERTY OF APSCO Inc.. ANY REPRODUCTION IN PART OR AS A WHOLE WITHOUT WRITTEN PERMISSION OF APSCO Inc. IS PROHIBITED.

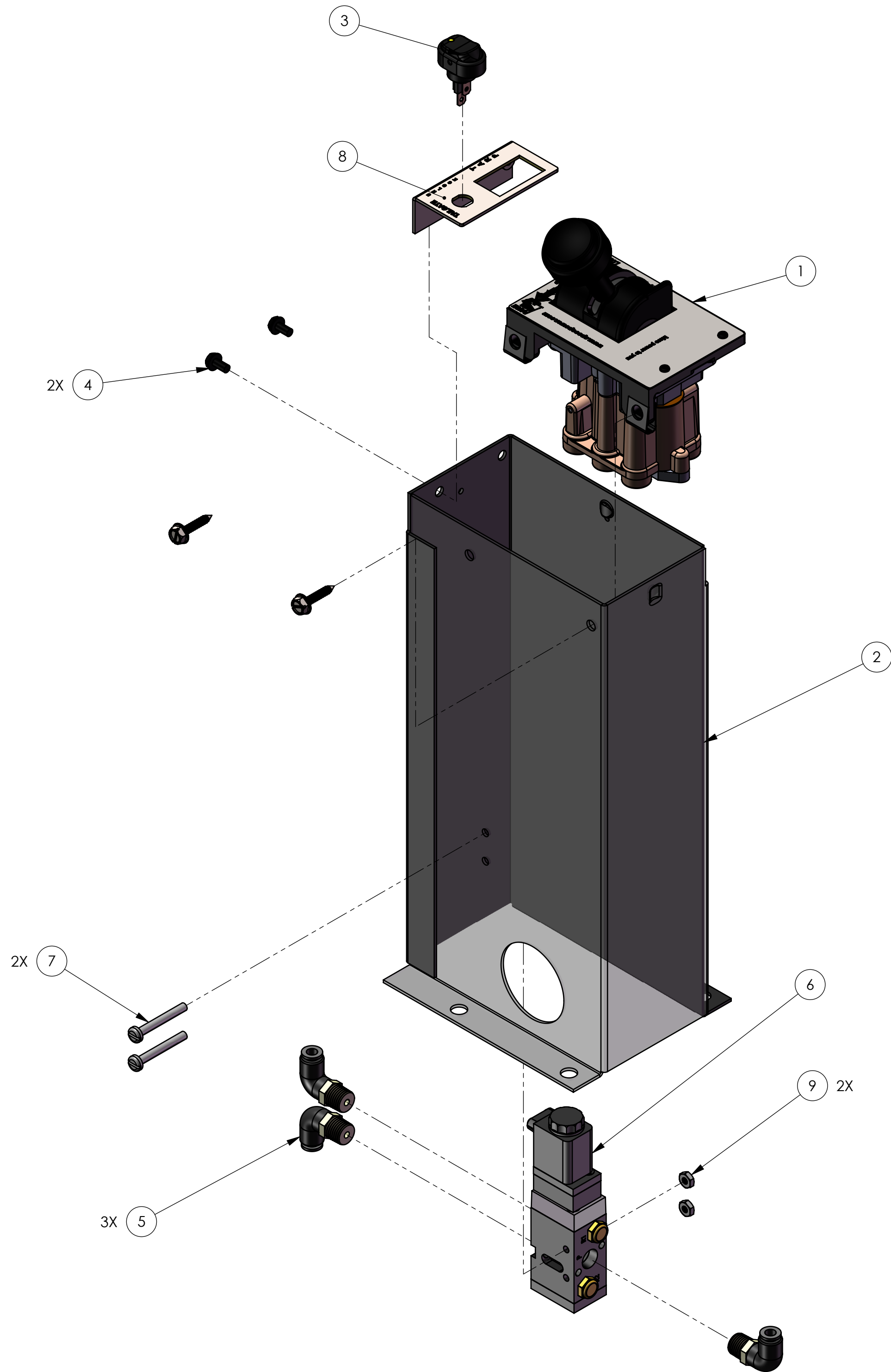
TYPE OF PROJECTION		MATERIAL
THIRD ANGLE PROJECTION		N/A
DRAWN	DATE	FINISH
RD	07/28/2020	
CHECKED	DATE	
RR	07/28/2020	
APPROVED	DATE	N/A
RT	07/28/2020	
FINAL	DATE	
RT	07/28/2020	

APSCO
 8178 EAST 44TH STREET
 TULSA, OK 74145
 (918) 622-5600

TITLE: HOIST/TG/ VAL 13" CON

UNLESS OTHERWISE SPECIFIED DIMENSIONS ARE IN INCHES TOLERANCES ARE:		DWG. NO.	
DECIMALS	SURFACE FINISH: 63	AVC-195-TGMT-13	
.X = ±.06	ANGLES ± 2°	SHEET SIZE	SCALE
.XX = ±.03	HOLES ± .005	C	1:2
.XXX = ±.010	HOLES LOCATION ± .005	REVISION	
DO NOT SCALE DRAWING		A	
F/N: AVC-195-TGMT-13		SHT. 1 OF 3	

REVISIONS					
ECR	REVISION	DESCRIPTION	CHANGED BY	DATE	APPROVED BY
3831	A	NEW RELEASE	VD	07/28/2020	RT



ITEM NO.	PART NUMBER	DESCRIPTION	QTY.
1	AV-195	HOIST/PTO VAL APSCO REG	1
2	3239-W13	CONSOLE BASE 13" WIDE FOR TG	1
3	5582	SWITCH ROCKER AMBER LED	1
4	2447	CAPS 10-32 X 3/8 BH BLACK	2
5	3761	FITTING QC 1/4 TUBE 1/4 NPT EB	3
6	VE-2	VALVE 4 WAY 1/4 NPT 12 V ELECTR	1
7	5852	CAPS 8-32 X 1 1/2 BH BLACK	2
8	5896	FACEPLATE, TAILGATE-TARP	1
9	1364	NUT 8-32 NF HEX FULL	2

PROPRIETARY AND CONFIDENTIAL
 THE INFORMATION CONTAINED IN THIS DRAWING IS THE SOLE PROPERTY OF APSCO Inc.. ANY REPRODUCTION IN PART OR AS A WHOLE WITHOUT WRITTEN PERMISSION OF APSCO Inc. IS PROHIBITED.

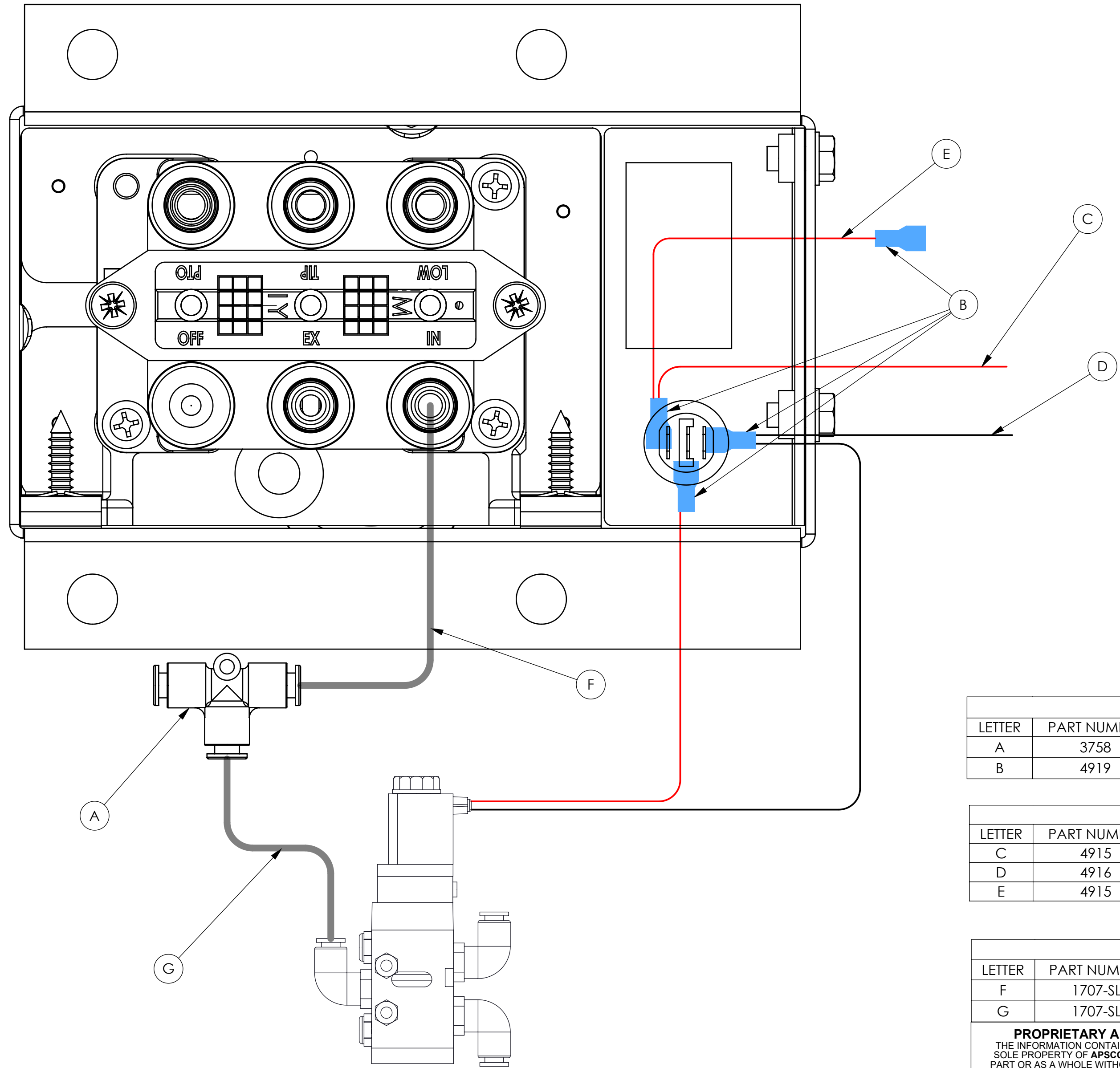
TYPE OF PROJECTION		MATERIAL
THIRD ANGLE PROJECTION		N/A
DRAWN	DATE	FINISH
RD	07/28/2020	
CHECKED	DATE	
RR	07/28/2020	
APPROVED	DATE	N/A
RT	07/28/2020	
FINAL	DATE	
RT	07/28/2020	

APSCO
 8178 EAST 44TH STREET
 TULSA, OK 74145
 (918) 622-5600

TITLE: HOIST/TG/ VAL 13" CON

UNLESS OTHERWISE SPECIFIED DIMENSIONS ARE IN INCHES TOLERANCES ARE:		DWG. NO.	
DECIMALS	SURFACE FINISH: 63	AVC-195-TGMT-13	
.X = ±.06	ANGLES ± 2°	SHEET SIZE	SCALE
.XX = ±.03	HOLES ± .005	C	1:2
.XXX = ±.010	HOLES LOCATION ± .005	REVISION	
DO NOT SCALE DRAWING		A	
F/N: AVC-195-TGMT-13		SHT. 2 OF 3	

REVISIONS					
ECR	REVISION	DESCRIPTION	CHANGED BY	DATE	APPROVED BY
3831	A	NEW RELEASE	VD	07/28/2020	RT



CONNECTORS AND FITTINGS				
LETTER	PART NUMBER	QUANTITY	UNITS	DESCRIPTION
A	3758	1	EA	TEE UNION 1/4 TUBE
B	4919	3	EA	CONNECTOR 16-14 AWG FEMALE- BL

WIRES					
LETTER	PART NUMBER	LENGTH	UNITS	QUANTITY	DESCRIPTION
C	4915	15	FEET	1	WIRE 16 AWG RED
D	4916	15	FEET	1	WIRE 16 AWG BLACK
E	4915	3	INCHES	1	WIRE 16 AWG RED

TUBES					
LETTER	PART NUMBER	LENGTH	UNITS	QUANTITY	DESCRIPTION
F	1707-SL	3	INCHES	1	TUBE 1/4 DOT SILVER
G	1707-SL	4	INCHES	1	TUBE 1/4 DOT SILVER

PROPRIETARY AND CONFIDENTIAL
 THE INFORMATION CONTAINED IN THIS DRAWING IS THE SOLE PROPERTY OF APSCO Inc.. ANY REPRODUCTION IN PART OR AS A WHOLE WITHOUT WRITTEN PERMISSION OF APSCO Inc. IS PROHIBITED.

APSCO
 8178 EAST 44TH STREET
 TULSA, OK 74145
 (918) 622-5600

TITLE: HOIST/TG/ VAL 13" CON

DRAWN RD	DATE 07/28/2020	FINISH N/A
CHECKED RR	DATE 07/28/2020	
APPROVED RT	DATE 07/28/2020	
FINAL RT	DATE 07/28/2020	

UNLESS OTHERWISE SPECIFIED DIMENSIONS ARE IN INCHES TOLERANCES ARE:
 DECIMALS .X = ±.06 SURFACE FINISH: 63
 .XX = ±.03 ANGLES ± 2°
 .XXX = ±.010 HOLES ± .005
 HOLES LOCATION ± .005
 DO NOT SCALE DRAWING

DWG. NO. AVC-195-TGMT-13	SCALE 1:2	REVISION A
-----------------------------	--------------	---------------

F/N: AVC-195-TGMT-13 SHT. 3 OF 3