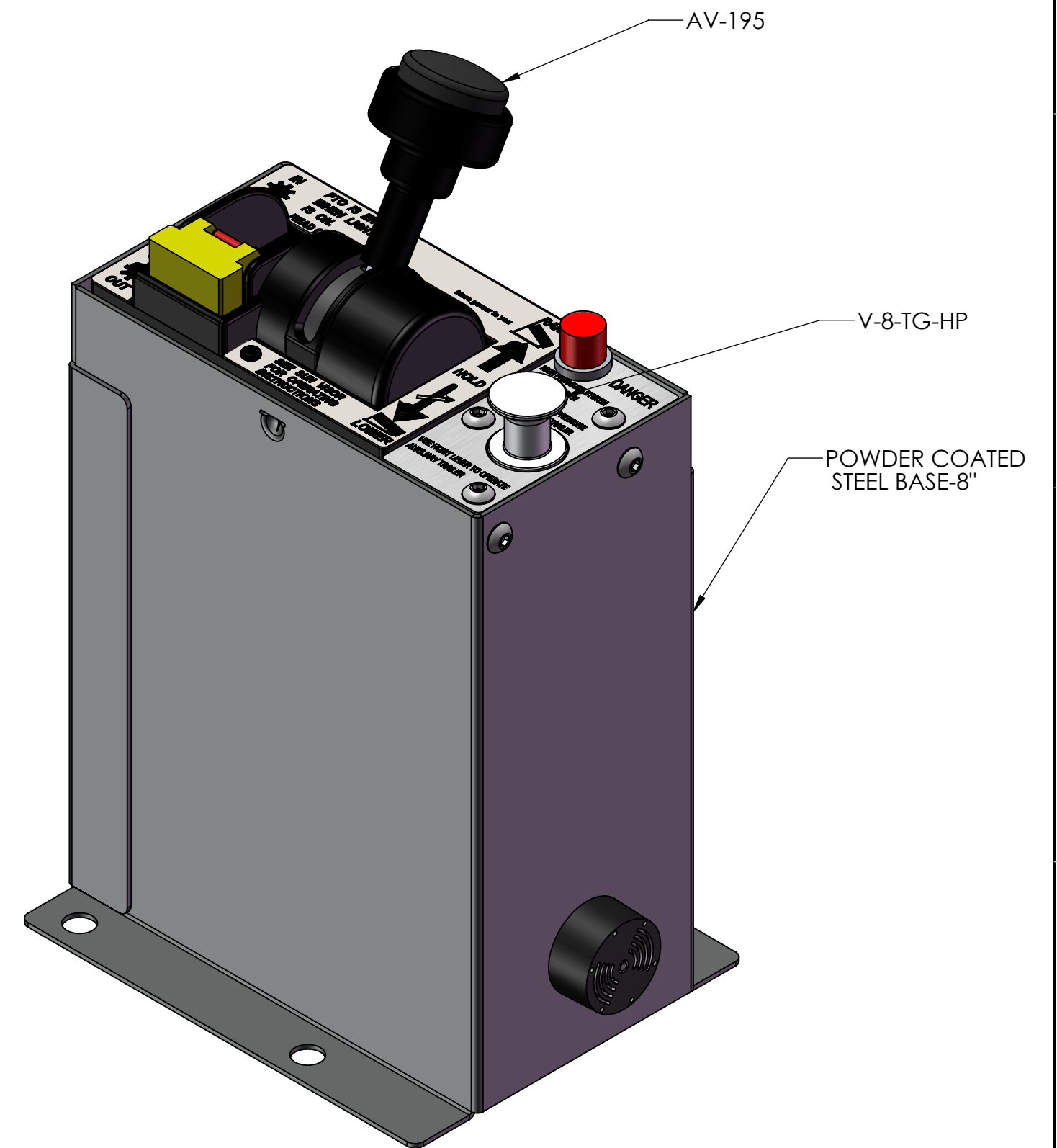
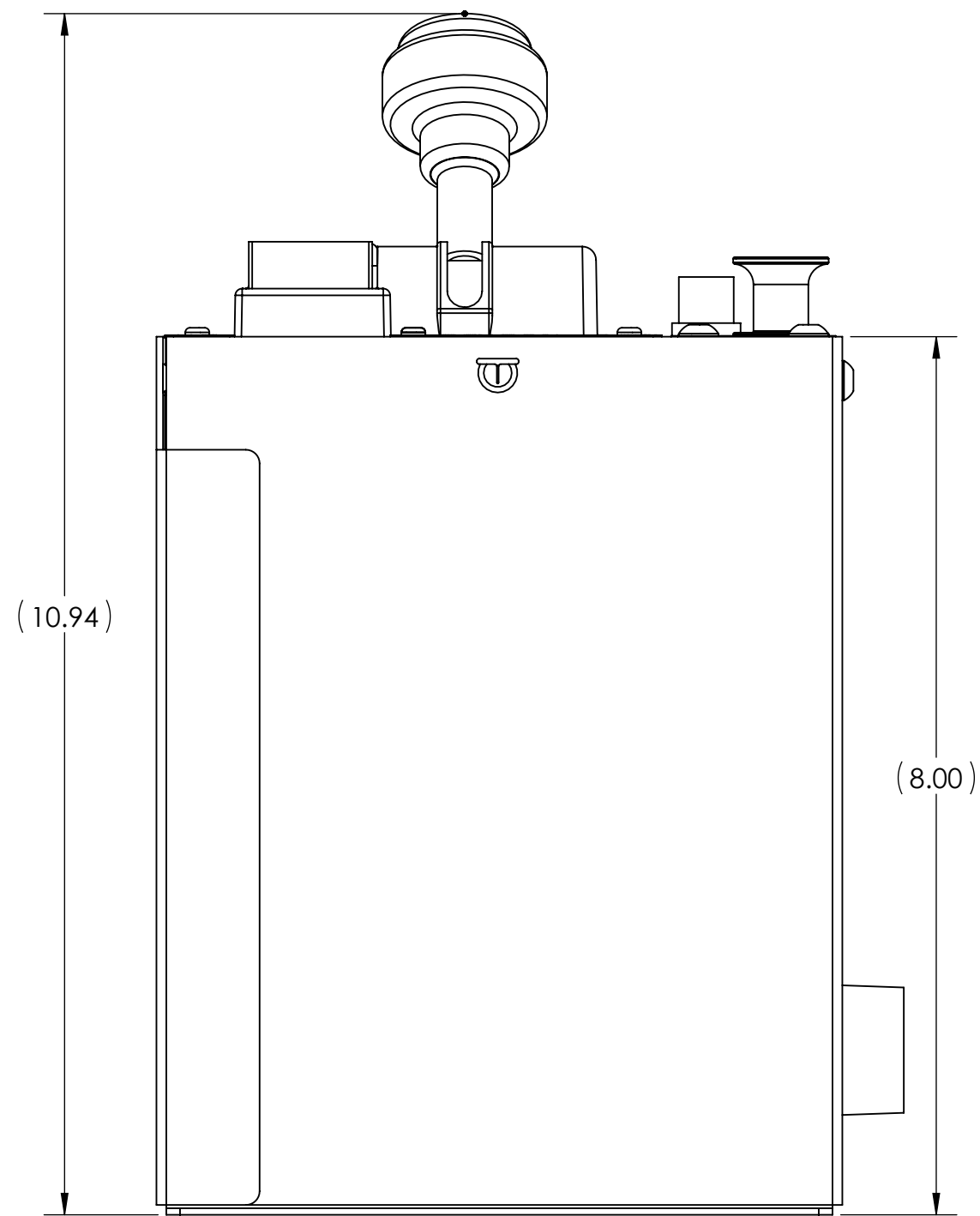
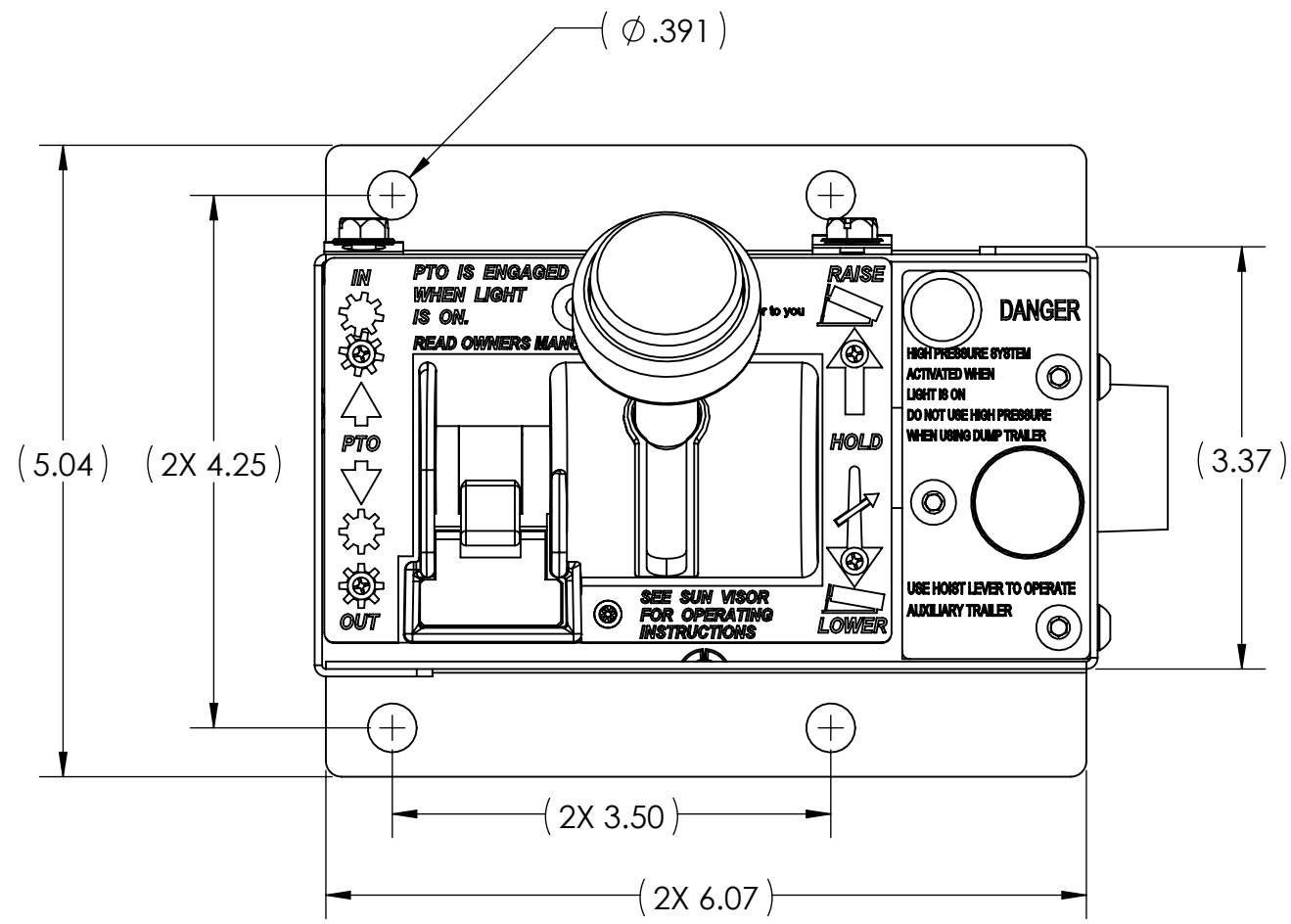


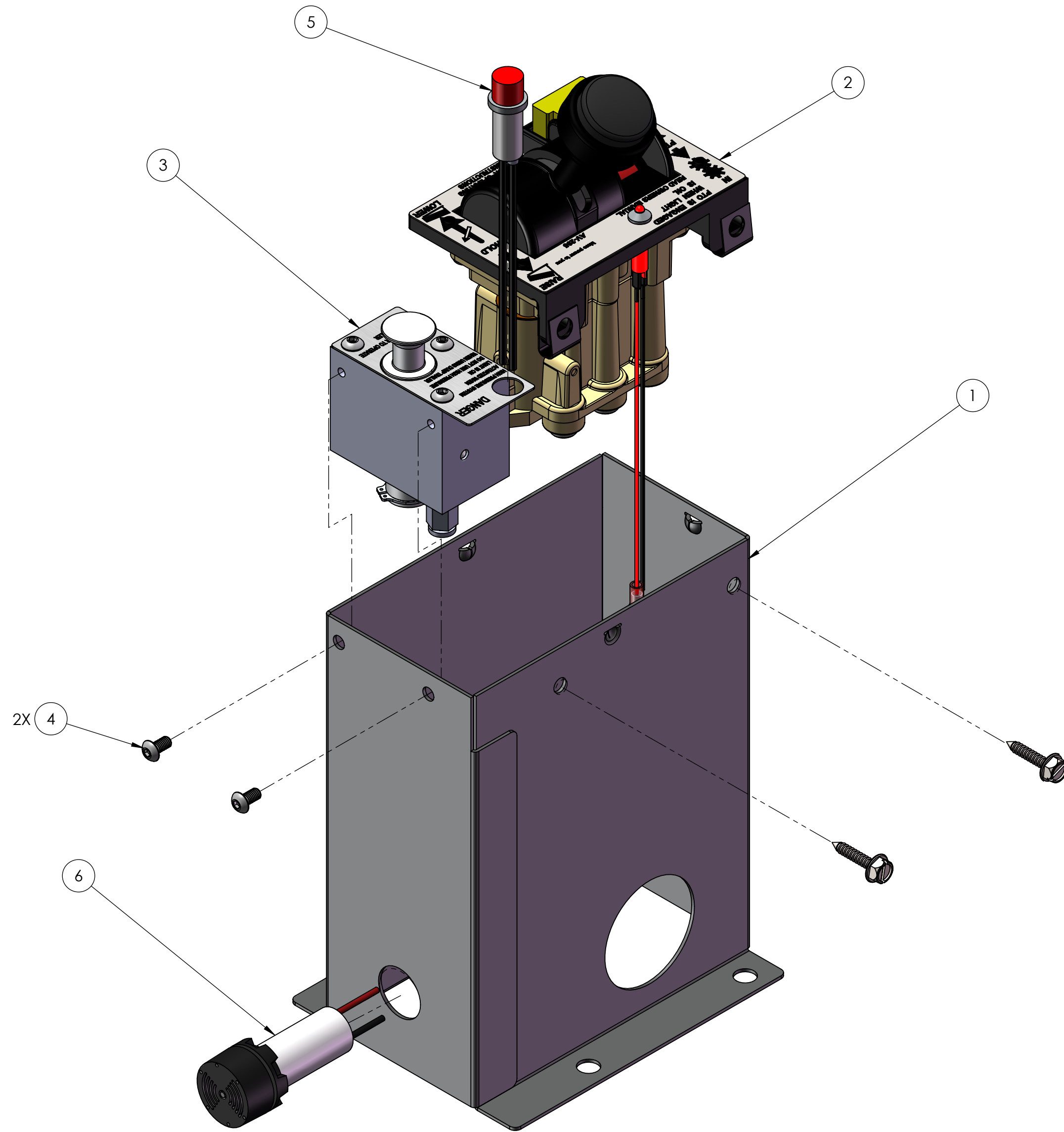
NOTES (UNLESS OTHERWISE SPECIFIED)  
 1. BREAK ALL SHARP EDGES  
 2. REMOVE ALL BURRS FOR SAFE HANDLING

REVISIONS					
ECR	REVISION	DESCRIPTION	CHANGED BY	DATE	APPROVED BY
3890	A	NEW RELEASE	VD	01/29/2021	RT



<p><b>PROPRIETARY AND CONFIDENTIAL</b>          THE INFORMATION CONTAINED IN THIS DRAWING IS THE SOLE PROPERTY OF APSCO Inc.. ANY REPRODUCTION IN PART OR AS A WHOLE WITHOUT WRITTEN PERMISSION OF APSCO Inc. IS PROHIBITED.</p>		<p><b>APSCO</b>          8178 EAST 44TH STREET          TULSA, OK 74145          (918) 622-5600</p>	
<p>TYPE OF PROJECTION:  THIRD ANGLE PROJECTION</p>		<p>TITLE: <b>HOIST/PTO VAL 8" CON HI PRES</b></p>	
<p>DRAWN: RD          CHECKED: RR          APPROVED: RT          FINAL: RT</p>	<p>DATE: 01/29/2021          DATE: 01/29/2021          DATE: 01/29/2021          DATE: 01/29/2021</p>	<p>MATERIAL: N/A          FINISH: N/A</p>	<p>UNLESS OTHERWISE SPECIFIED DIMENSIONS ARE IN INCHES TOLERANCES ARE:          DECIMALS .X = ±.06          .XX = ±.03          .XXX = ±.010          SURFACE FINISH: 63          ANGLES ± 2°          HOLES ± .005          HOLES LOCATION ± .005          DO NOT SCALE DRAWING</p>
<p>DWG. NO. <b>AVC-295-HP-8</b></p>		<p>SHEET SIZE: <b>C</b></p>	<p>SCALE: <b>2:3</b></p>
<p>F/N: AVC-295-HP-8</p>		<p>REVISION: <b>A</b></p>	<p>SHT. 1 OF 4</p>

REVISIONS					
ECR	REVISION	DESCRIPTION	CHANGED BY	DATE	APPROVED BY
3890	A	NEW RELEASE	VD	01/29/2021	RT



ITEM NO.	PART NUMBER	DESCRIPTION	QTY.
1	3239-W8-B	CONSOLE BASE 8" TG/BEEPER	1
2	AV-295	HOIST/PTO VAL APSCO REG	1
3	V-8-TG-HP	VALVE APSCO 4-WAY HI PRESSURE	1
4	2447	CAPS 10-32 X 3/8 BH	2
5	4450	LIGHT INCANDESCENT	1
6	HPB-13-RB-16G	HPB-13-RB-16G	1
OPTIONAL TO HPB-13-RB-16G			
6	6758	BUZZER NON-LIGHTED 12V DC	1
	6758-2	LABOR/WIRE FOR BUZZER HP-13	1

**PROPRIETARY AND CONFIDENTIAL**  
 THE INFORMATION CONTAINED IN THIS DRAWING IS THE SOLE PROPERTY OF APSCO Inc.. ANY REPRODUCTION IN PART OR AS A WHOLE WITHOUT WRITTEN PERMISSION OF APSCO Inc. IS PROHIBITED.

**APSCO**  
 8178 EAST 44TH STREET  
 TULSA, OK 74145  
 (918) 622-5600

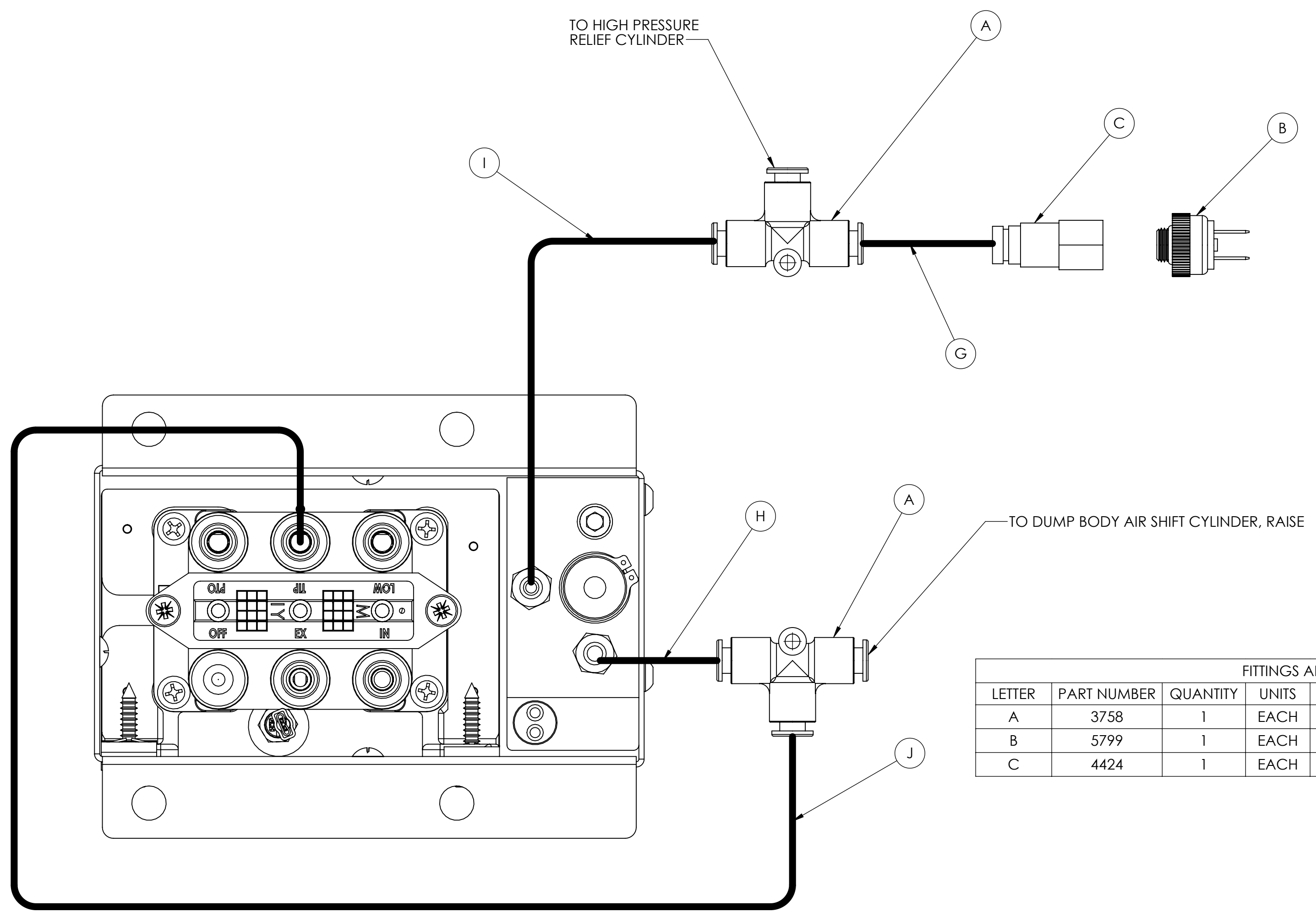
TITLE: HOIST/PTO VAL 8" CON HI PRES

UNLESS OTHERWISE SPECIFIED DIMENSIONS ARE IN INCHES TOLERANCES ARE:

DECIMALS	SURFACE FINISH: 63	DWG. NO.	AVC-295-HP-8	
.X = ±.06	ANGLES ± 2°	SHEET SIZE	SCALE	REVISION
.XX = ±.03	HOLES ± .005	C	2:3	A
.XXX = ±.010	HOLES LOCATION ± .005	DO NOT SCALE DRAWING		

F/N: AVC-295-HP-8 SHT. 2 OF 4

REVISIONS					
ECR	REVISION	DESCRIPTION	CHANGED BY	DATE	APPROVED BY
3890	A	NEW RELEASE	VD	01/29/2021	RT



FITTINGS AND SWITCHES					
LETTER	PART NUMBER	QUANTITY	UNITS	DESCRIPTION	
A	3758	1	EACH	TEE UNION 1/4 TUBE	
B	5799	1	EACH	PRESSURE SWITCH AIR	
C	4424	1	EACH	FITTING QC 1/4 TUBE 1/8NPT FE	

TUBES					
LETTER	PART NUMBER	LENGTH	UNITS	QUANTITY	DESCRIPTION
G	1707	1	INCHES	1	TUBE 1/4 DOT BLACK
H	1707	2	INCHES	1	TUBE 1/4 DOT BLACK
I	1707	4	INCHES	1	TUBE 1/4 DOT BLACK
J	1707	5	INCHES	1	TUBE 1/4 DOT BLACK

**PROPRIETARY AND CONFIDENTIAL**  
 THE INFORMATION CONTAINED IN THIS DRAWING IS THE SOLE PROPERTY OF APSCO Inc.. ANY REPRODUCTION IN PART OR AS A WHOLE WITHOUT WRITTEN PERMISSION OF APSCO Inc. IS PROHIBITED.

TYPE OF PROJECTION: THIRD ANGLE PROJECTION

MATERIAL: N/A

FINISH: N/A

DRAWN	RD	DATE	01/29/2021
CHECKED	RR	DATE	01/29/2021
APPROVED	RT	DATE	01/29/2021
FINAL	RT	DATE	01/29/2021

**APSCO**  
 8178 EAST 44TH STREET  
 TULSA, OK 74145  
 (918) 622-5600

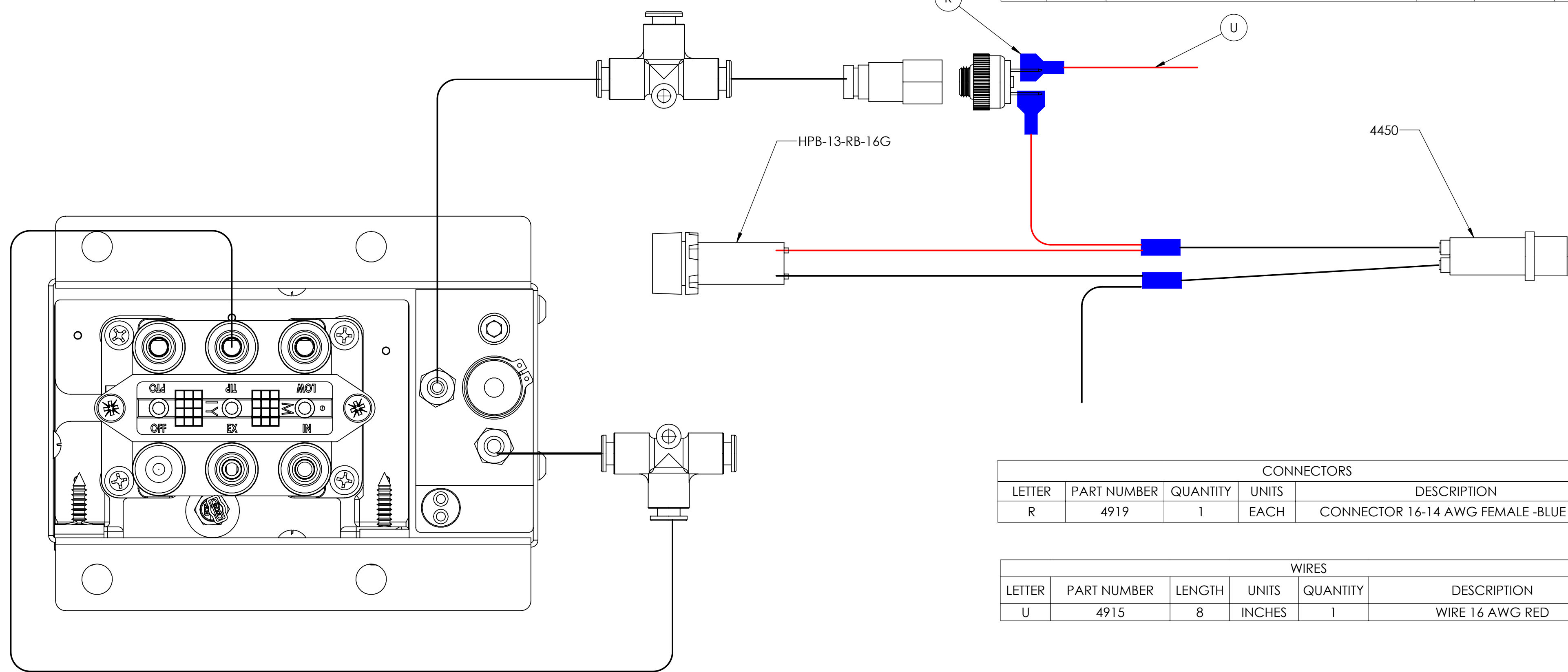
TITLE: HOIST/PTO VAL 8" CON HI PRES

UNLESS OTHERWISE SPECIFIED DIMENSIONS ARE IN INCHES TOLERANCES ARE:

DECIMALS	SURFACE FINISH: 63	DWG. NO.	AVC-295-HP-8	
.X = ±.06	ANGLES ± 2°	SHEET SIZE	SCALE	REVISION
.XX = ±.03	HOLES ± .005	C	2:3	A
.XXX = ±.010	HOLES LOCATION ± .005	DO NOT SCALE DRAWING		

F/N: AVC-295-HP-8 SHT. 3 OF 4

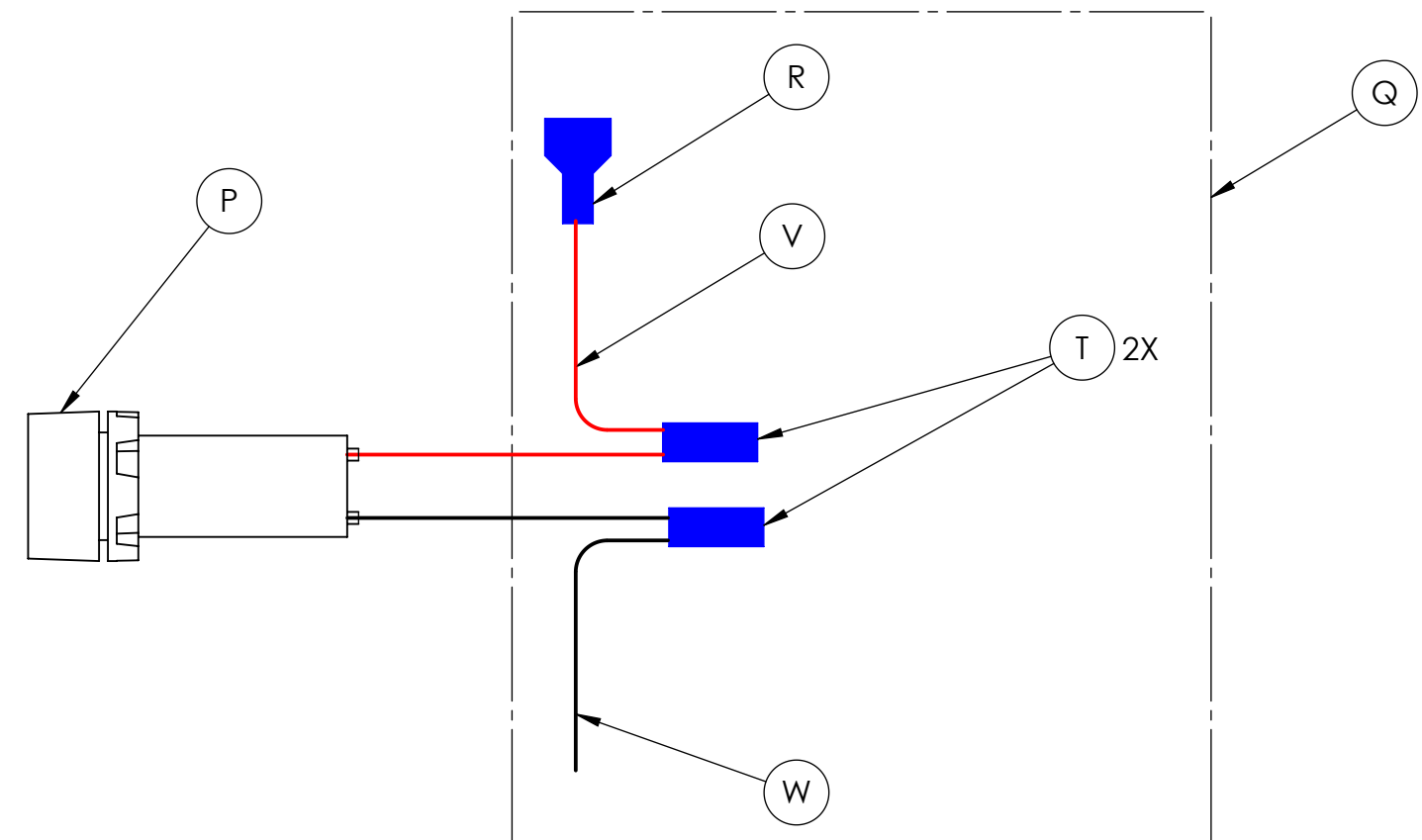
REVISIONS					
ECR	REVISION	DESCRIPTION	CHANGED BY	DATE	APPROVED BY
3890	A	NEW RELEASE	VD	01/29/2021	RT



CONNECTORS					
LETTER	PART NUMBER	QUANTITY	UNITS	DESCRIPTION	
R	4919	1	EACH	CONNECTOR 16-14 AWG FEMALE -BLUE TAB	

WIRES					
LETTER	PART NUMBER	LENGTH	UNITS	QUANTITY	DESCRIPTION
U	4915	8	INCHES	1	WIRE 16 AWG RED

**HPB-13-RB-16G**



HPB-13-RB-16G					
LETTER	PART NUMBER	UNITS	QUANTITY	DESCRIPTION	
P	6758	EACH	1	BUZZER NON-LIGHTED 12V DC	
Q	6758-2	EACH	1	LABOR/WIRE FOR BUZZER HP-13	

6758-2					
LETTER	PART NUMBER	LENGTH	UNITS	QUANTITY	DESCRIPTION
R	4919	N/A	EACH	1	CONNECTOR 16-14 AWG FEMALE -BLUE TAB
T	4917	N/A	EACH	2	CONNECTOR 16-14 AWG BUTT BLUE
V	4915	14	INCHES	1	WIRE 16 AWG RED
W	4916	14	INCHES	1	WIRE 16 AWG BLACK

**PROPRIETARY AND CONFIDENTIAL**  
 THE INFORMATION CONTAINED IN THIS DRAWING IS THE SOLE PROPERTY OF APSCO Inc.. ANY REPRODUCTION IN PART OR AS A WHOLE WITHOUT WRITTEN PERMISSION OF APSCO Inc. IS PROHIBITED.

**TYPE OF PROJECTION**  
 THIRD ANGLE PROJECTION

**MATERIAL**  
 N/A

**FINISH**  
 N/A

DRAWN	RD	DATE	01/29/2021
CHECKED	RR	DATE	01/29/2021
APPROVED	RT	DATE	01/29/2021
FINAL	RT	DATE	01/29/2021

**APSCO**  
 8178 EAST 44TH STREET  
 TULSA, OK 74145  
 (918) 622-5600

TITLE: **HOIST/PTO VAL 8" CON HI PRES**

UNLESS OTHERWISE SPECIFIED DIMENSIONS ARE IN INCHES TOLERANCES ARE:

DECIMALS	SURFACE FINISH: 63	DWG. NO.	<b>AVC-295-HP-8</b>	
.X = ±.06	ANGLES ± 2°	SHEET SIZE	C	SCALE
.XX = ±.03	HOLES ± .005	SCALE	2:3	REVISION
.XXX = ±.010	HOLES LOCATION ± .005	REVISION	A	

DO NOT SCALE DRAWING

F/N: AVC-295-HP-8