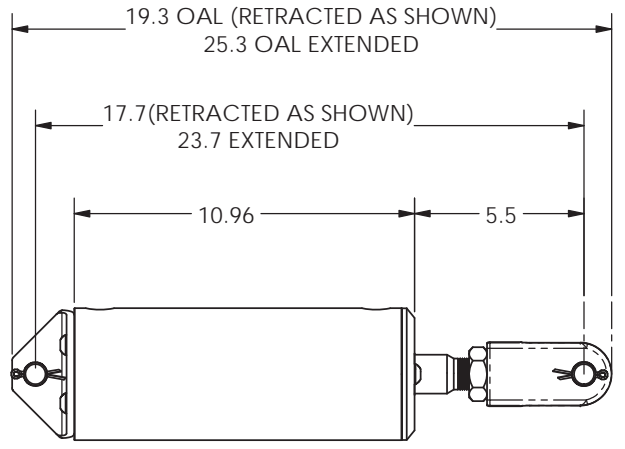
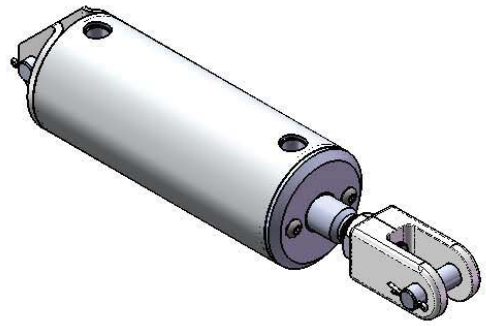
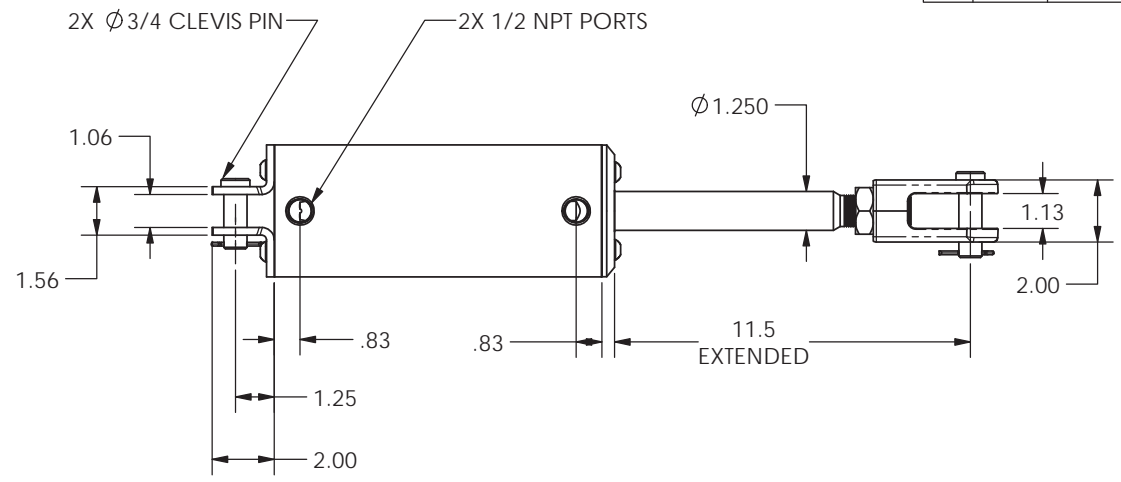
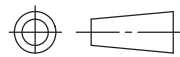



REVISIONS				
ECR	REV	DESCRIPTION	DATE	APPROVED
E2050	C	See Sheet1	02/28/2013	JUMPER



NOTES:  
 BORE:  $\phi 4.0"$   
 STROKE: 6"  
 PIN TO PIN: 17.7 RETRACTED  
 PIN TO PIN: 23.7 EXTENDED  
 EXTENDED FORCE @ 100 PSI: 1257 LBS  
 RETRACT FORCE @ 100 PSI: 1134 LBS

**PORTS ON TOP**

TYPE OF PROJECTION  THIRD ANGLE PROJECTION	DO NOT SCALE DRAWING UNLESS OTHERWISE SPECIFIED DIMENSIONS ARE IN INCHES TOLERANCES ARE: DECIMALS .X = $\pm 0.03$ .XX = $\pm 0.10$ .XXX = $\pm 0.005$ FRACTION = $\pm 0.015$ ANGLES = $\pm 1/2^\circ$	 8178 EAST 44TH STREET TULSA, OK 74145			
		PROPRIETARY AND CONFIDENTIAL THE INFORMATION CONTAINED IN THIS DRAWING IS THE SOLE PROPERTY OF APSCO Inc. ANY REPRODUCTION IN PART OR AS A WHOLE WITHOUT WRITTEN PERMISSION OF APSCO Inc. IS PROHIBITED.	SURFACE TEXTURE OR BETTER MATERIAL N/A FINISH N/A	TITLE: CYLINDER 4" x 6" W/ PIN KIT	DWG. NO. C-0406-PK REV C
		SIZE B	DRAWN JUMPER	DATE 10/11/2012	CLASS CYL
F/N: C-0400 SERIES				SHEET 2 OF 2	