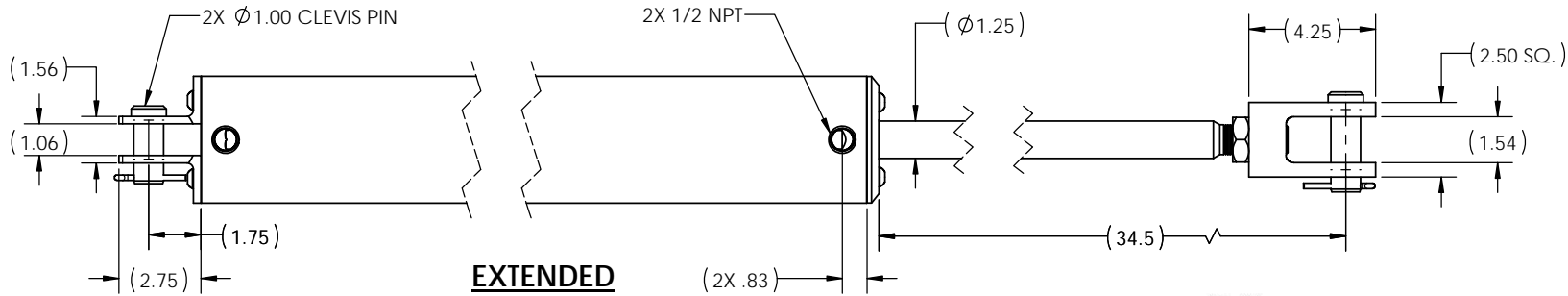


8 7 6 5

REVISIONS				
ECR	REV	DESCRIPTION	DATE	CHG BY
E3015	C	See Sheet1	3/9/2016	RR

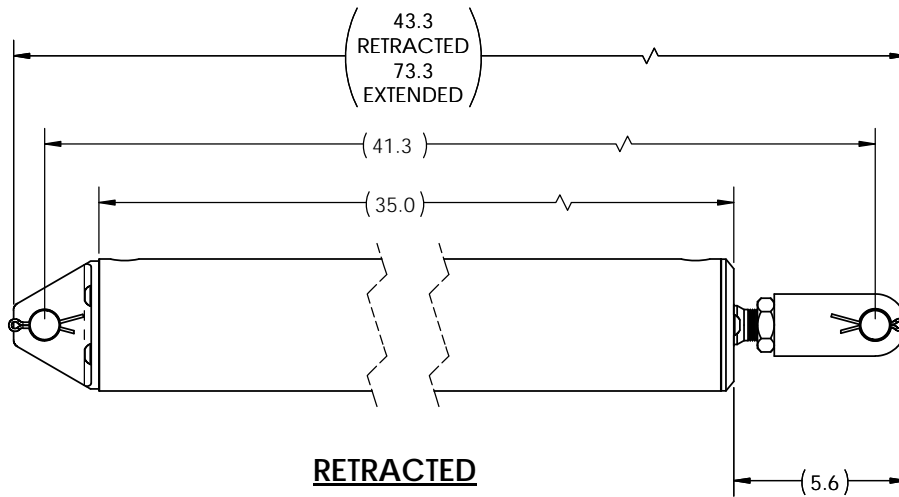


EXTENDED



PORTS ON TOP

BORE: ϕ 4.0"
 STROKE: 30"
 RETRACTED PIN TO PIN: 41.3
 EXTENDED PIN TO PIN: 71.3
 EXTENDED FORCE @ 100 PSI: 1257 LBS
 RETRACTED FORCE @ 100 PSI: 1134 LBS



RETRACTED

<p>ASSEMBLY DO NOT SCALE DRAWING UNLESS OTHERWISE SPECIFIED DIMENSIONS ARE IN INCHES TOLERANCES ARE:</p> <p>.X = ±.06 .XX = ±.03 .XXX = ±.010</p> <p>ANGLES = ±2°</p> <p>6.3 SURFACE TEXTURE OR BETTER</p> <p>TYPE OF PROJECTION</p> <p>THIRD ANGLE PROJECTION</p> <p>SHEET SIZE B</p>	<p>PROPRIETARY AND CONFIDENTIAL THE INFORMATION CONTAINED IN THIS DRAWING IS THE SOLE PROPERTY OF APSCO Inc.. ANY REPRODUCTION IN PART OR AS A WHOLE WITHOUT WRITTEN PERMISSION OF APSCO Inc. IS PROHIBITED.</p>	TITLE: CYL 4 X 30 1 PK	
		DWG. NO. C-0430-PK-1	
		MATERIAL: N/A	FINISH: N/A
		<p>DRAWN: GK</p> <p>CHECKED: DJ</p> <p>APPROVED: FH</p> <p>FINAL: FH</p>	<p>DATE: 8/10/2009</p> <p>DATE: 10/11/2012</p> <p>DATE: 3/8/2016</p> <p>DATE: 3/8/2016</p>
<p>8175 EAST 44TH STREET TULSA, OK 74145</p>		REV: C	F/N: C-0430-PK-1)C
		SHT. 2 OF 2	

8 7 6 5 4 3 2 1

D

C

B

A

C

B

A