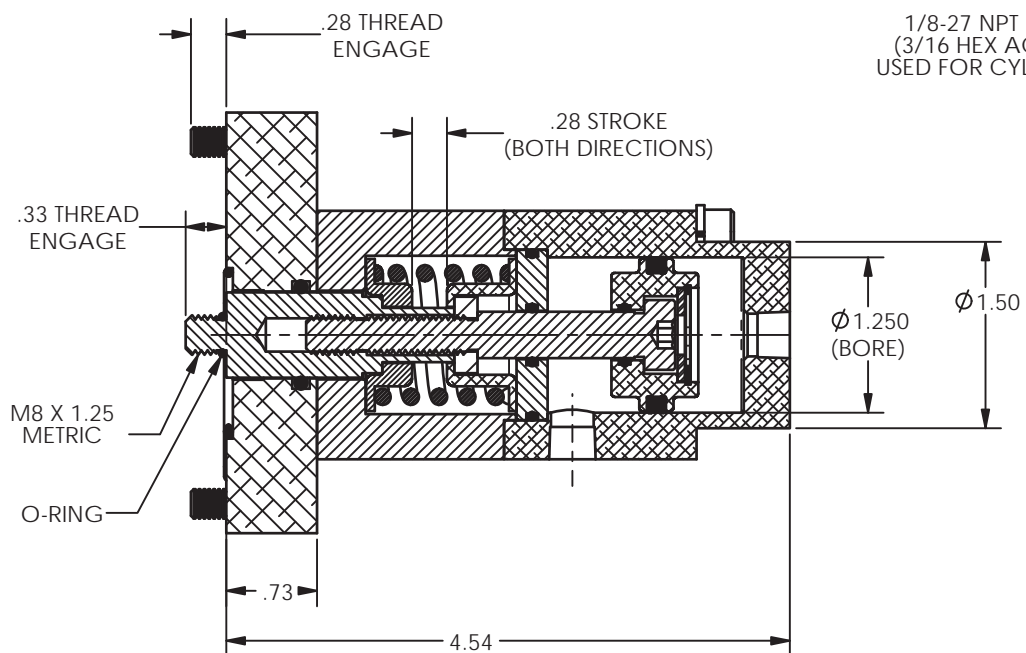
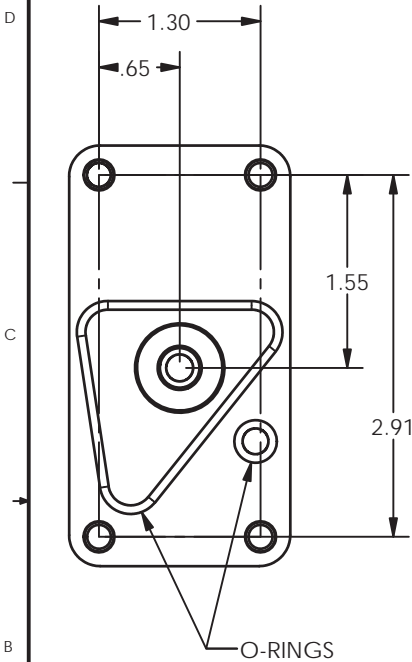
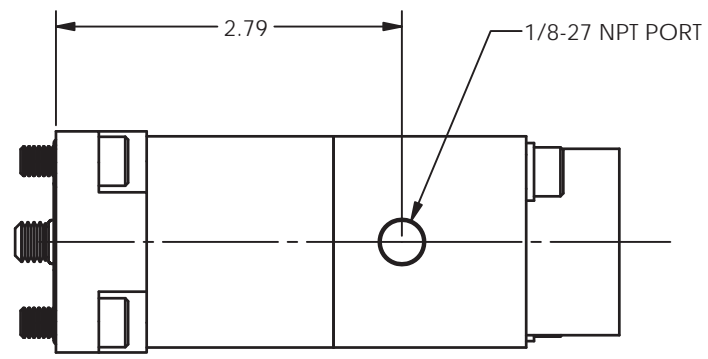
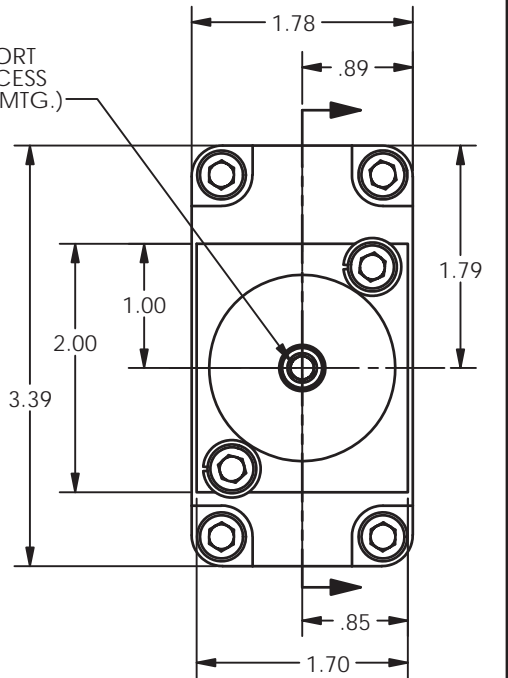


8 7 6 5 4 3 2 1

REVISIONS				
ECR	REV	DESCRIPTION	DATE	APPROVED
E1670	-	See Sheet1	05/15/2012	JUMPER



1/8-27 NPT PORT
(3/16 HEX ACCESS
USED FOR CYL. MTG.)



1. NEUTRAL POSITION SHOWN
2. SPRING PRELOAD = 47 LBS
3. MIN. EXTENSION FORCE @ 100 PSI AT FULL STROKE = 45 LBS
4. MIN. RETRACT FORCE @ 100 PSI AT FULL STROKE = 34 LBS

<p>TYPE OF PROJECTION</p> <p>THIRD ANGLE PROJECTION</p>	<p>DO NOT SCALE DRAWING UNLESS OTHERWISE SPECIFIED DIMENSIONS ARE IN INCHES TOLERANCES ARE: DECIMALS .X = ±.03 .XX = ±.010 .XXX = ±.005 FRACTION = ±.015 ANGLES = ±1/2°</p>	<p>8178 EAST 44TH STREET TULSA, OK 74145</p>	
<p>PROPRIETARY AND CONFIDENTIAL</p> <p>THE INFORMATION CONTAINED IN THIS DRAWING IS THE SOLE PROPERTY OF APSCO Inc.. ANY REPRODUCTION IN PART OR AS A WHOLE WITHOUT WRITTEN PERMISSION OF APSCO Inc. IS PROHIBITED.</p>	<p>SURFACE TEXTURE OR BETTER</p> <p>MATERIAL N/A</p> <p>FINISH N/A</p>		
<p>TITLE: AIR ACT FOR SAUER DANFOSS PVG-32 CLOSED SPOOL</p>		<p>DWG. NO. C-3832-DM-CS</p>	
<p>REV -</p>			
<p>SIZE B</p>	<p>DRAWN JUMPER</p>	<p>DATE 05/15/2012</p>	<p>CLASS</p>
<p>F/N:C-3000 SERIES</p>		<p>SHT. 2 OF 2</p>	

8 7 6 5 4 3 2 1