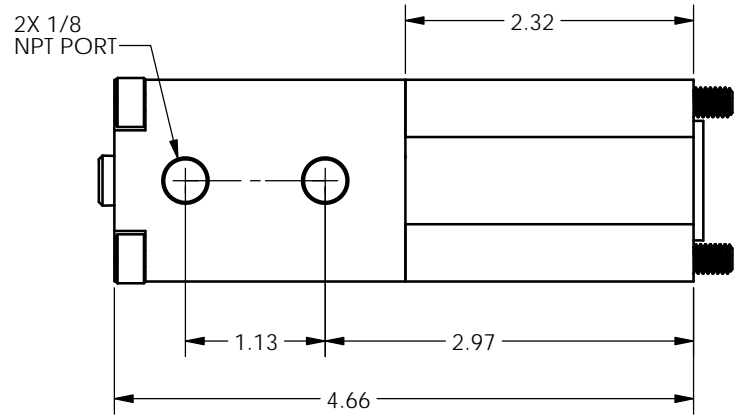
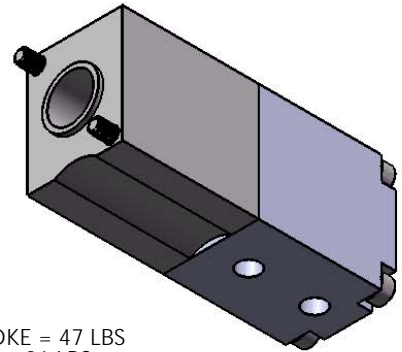
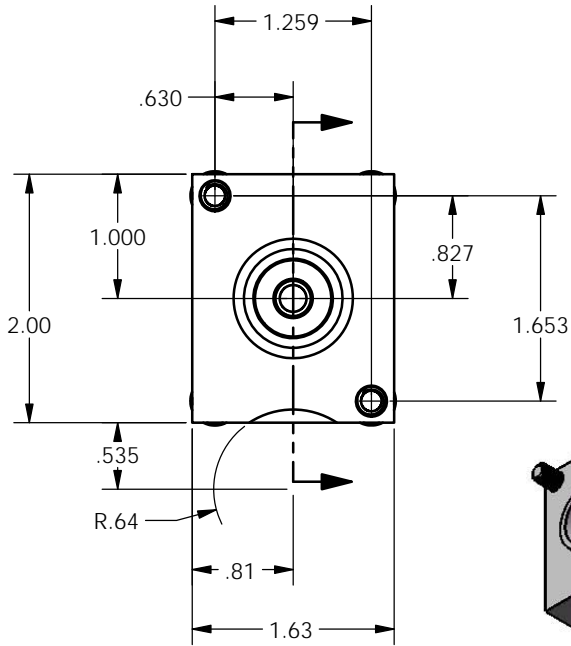
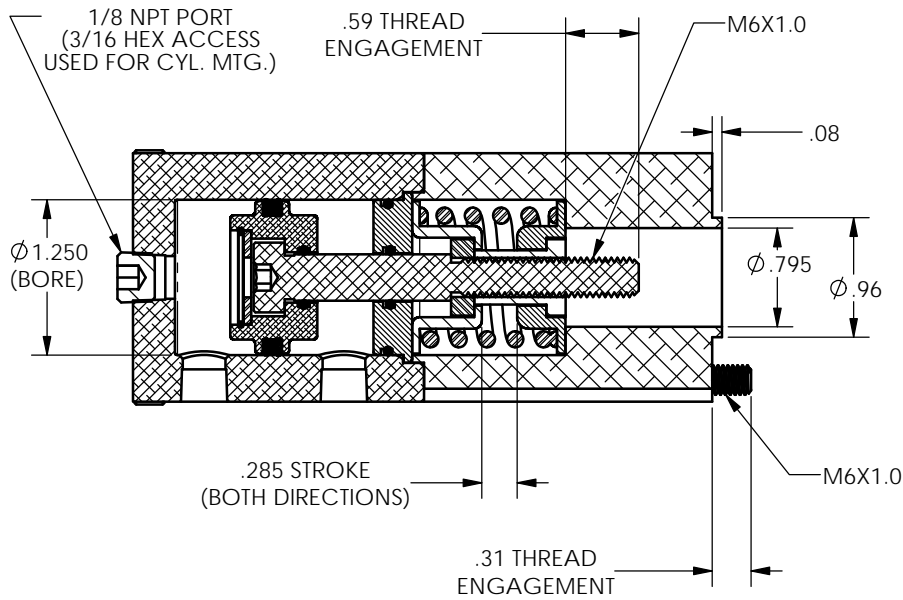


8 7 6 5 4 3 2 1

REVISIONS				
ECR	REV	DESCRIPTION	DATE	APPROVED
E2570	-	See Sheet1	08/28/2014	JUMPER



1. NEUTRAL POSITION SHOWN
2. SPRING PRELOAD = 44 LBS
3. MIN. EXTENSION FORCE @ 100 PSI AT FULL STROKE = 47 LBS
4. MIN. RETRACT FORCE @ 100 PSI AT FUL STROKE = 36 LBS

<p>TYPE OF PROJECTION</p> <p>THIRD ANGLE PROJECTION</p>	<p>DO NOT SCALE DRAWING UNLESS OTHERWISE SPECIFIED DIMENSIONS ARE IN INCHES TOLERANCES ARE: DECIMALS .X = ±.03 .XX = ±.010 .XXX = ±.005 FRACTION = ±.015 ANGLES = ±1/2°</p>	<p>8178 EAST 44TH STREET TULSA, OK 74145</p>	
		<p><b>PROPRIETARY AND CONFIDENTIAL</b></p> <p>THE INFORMATION CONTAINED IN THIS DRAWING IS THE SOLE PROPERTY OF APSCO Inc.. ANY REPRODUCTION IN PART OR AS A WHOLE WITHOUT WRITTEN PERMISSION OF APSCO Inc. IS PROHIBITED.</p>	<p>SURFACE TEXTURE OR BETTER</p> <p>MATERIAL N/A</p> <p>FINISH N/A</p>
<p>SIZE <b>B</b> DRAWN JUMPER DATE 06/23/2014 CLASS CYL</p>		<p>F/N: C-3000 SERIES SHT. 2 OF 2</p>	

8 7 6 5 4 3 2 1