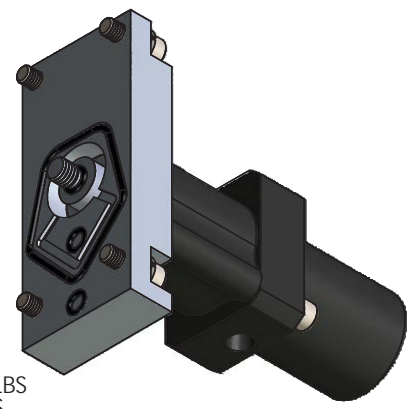
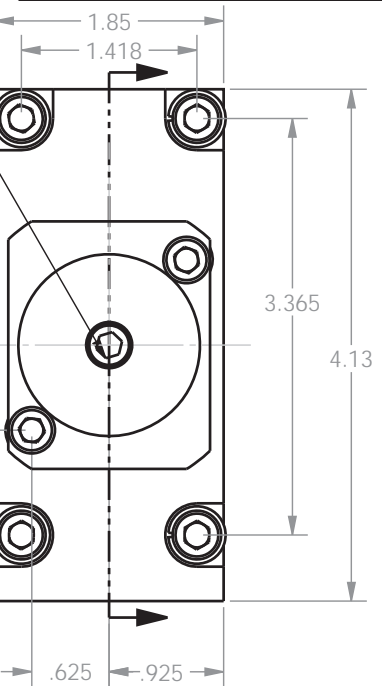
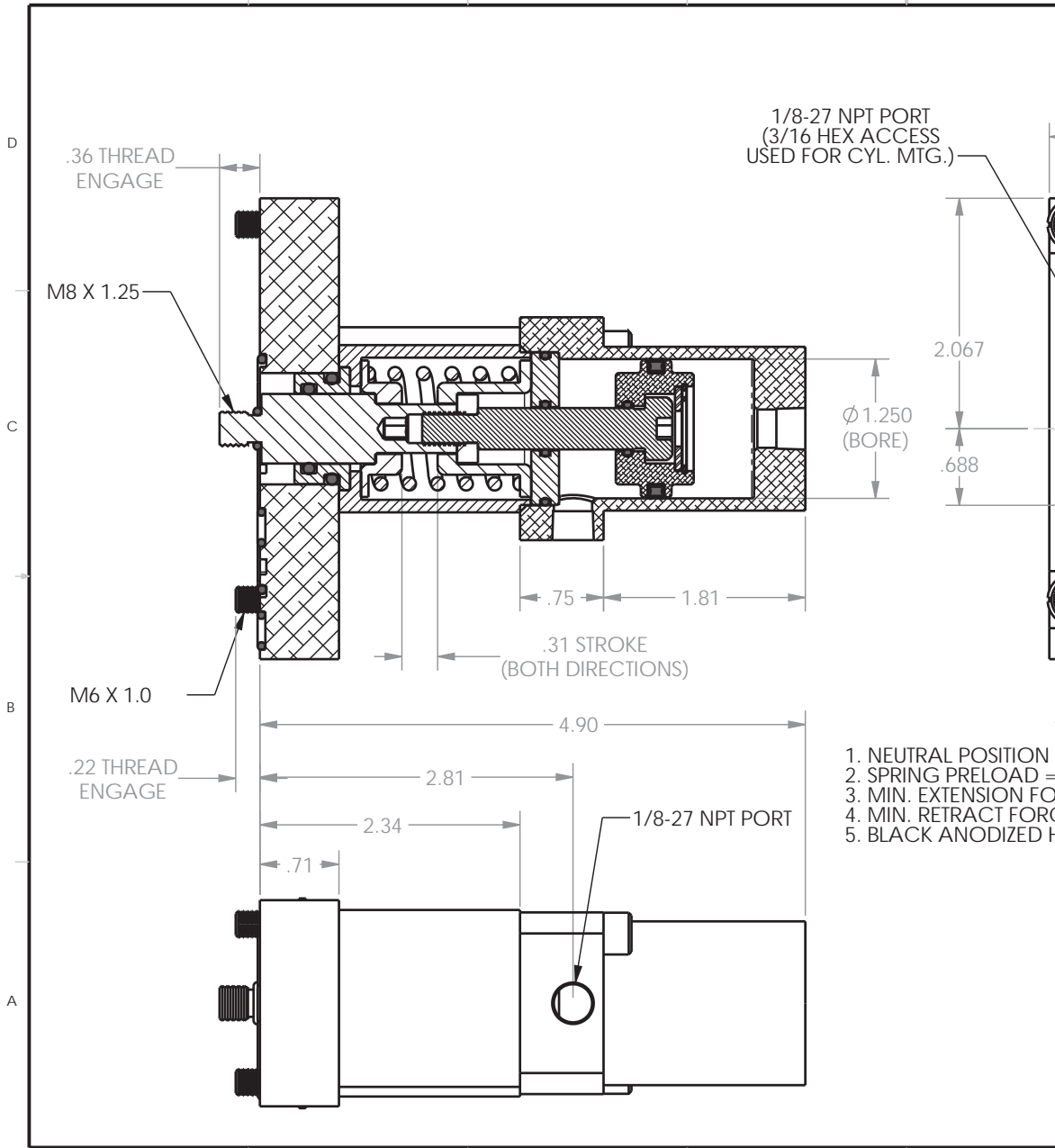
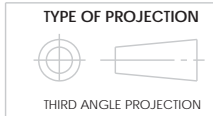


8 7 6 5 4 3 2 1

REVISIONS				
ECR	REV	DESCRIPTION	DATE	APPROVED
E1990	A	See Sheet1	01/21/2013	JUMPER



1. NEUTRAL POSITION SHOWN
2. SPRING PRELOAD = 36 LBS
3. MIN. EXTENSION FORCE @ 100 PSI AT FULL STROKE = 41 LBS
4. MIN. RETRACT FORCE @ 100 PSI AT FULL STROKE = 30 LBS
5. BLACK ANODIZED HOUSING



PROPRIETARY AND CONFIDENTIAL
 THE INFORMATION CONTAINED IN THIS DRAWING IS THE SOLE PROPERTY OF APSCO Inc.. ANY REPRODUCTION IN PART OR AS A WHOLE WITHOUT WRITTEN PERMISSION OF APSCO Inc. IS PROHIBITED.

DO NOT SCALE DRAWING
 UNLESS OTHERWISE SPECIFIED DIMENSIONS ARE IN INCHES
 TOLERANCES ARE:
 DECIMALS
 .X = ±.03
 .XX = ±.010
 .XXX = ±.005
 FRACTION = ±.015
 ANGLES = ±1/2°

SURFACE TEXTURE OR BETTER MATERIAL: N/A

FINISH: N/A



TITLE: AIR ACT FOR HPV41 HYD VAL			
DWG. NO. C-3841-DMEC	REV A		
SIZE B	DRAWN JUMPER	DATE 06/26/2012	CLASS CYL
F/N:C-3000 SERIES			SHT. 2 OF 2

8 7 6 5 4 3 2 1