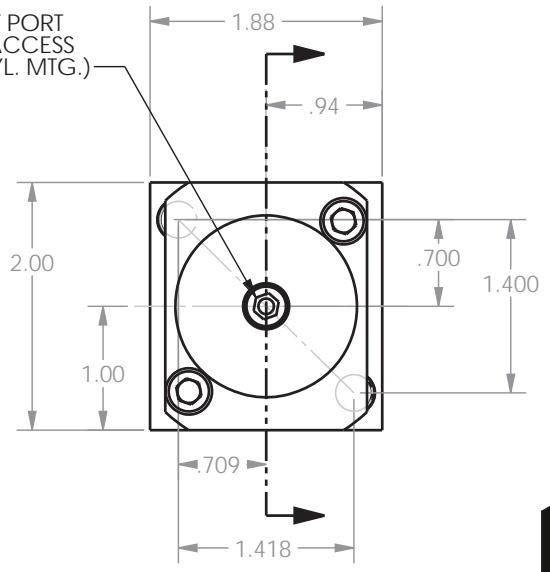
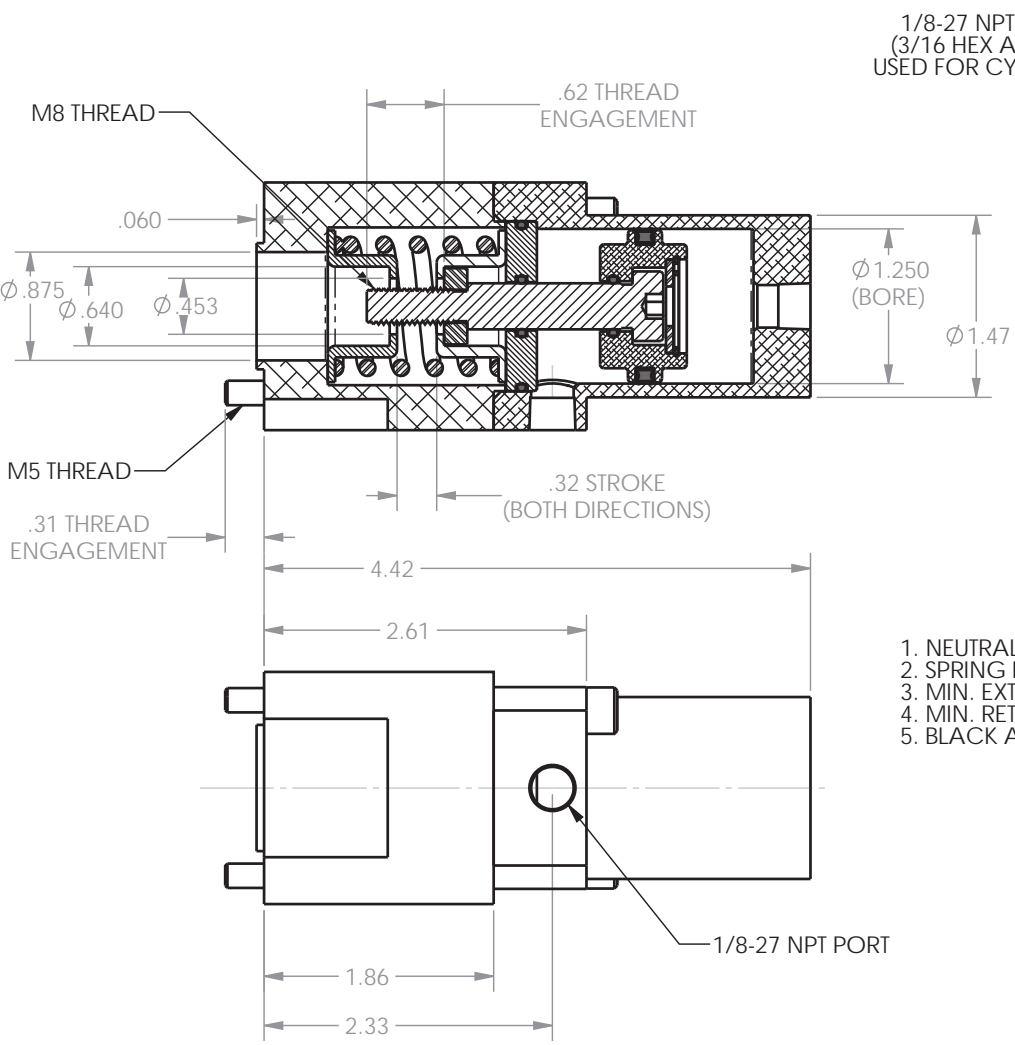




REVISIONS				
ECR	REV	DESCRIPTION	DATE	APPROVED
E1990	C	See Sheet1	01/21/2013	JUMPER



1. NEUTRAL POSITION SHOWN
2. SPRING PRELOAD = 111 LBS
3. MIN. EXTENSION FORCE @ 100 PSI AT FULL STROKE = 67 LBS
4. MIN. RETRACT FORCE @ 100 PSI AT FUL STROKE = 56 LBS
5. BLACK ANODIZED HOUSINGS

TYPE OF PROJECTION  THIRD ANGLE PROJECTION	DO NOT SCALE DRAWING UNLESS OTHERWISE SPECIFIED DIMENSIONS ARE IN INCHES TOLERANCES ARE: DECIMALS .X = ±.03 .XX = ±.010 .XXX = ±.005 FRACTION = ±.015 ANGLES = ±1/2°	 8178 EAST 44TH STREET TULSA, OK 74145
PROPRIETARY AND CONFIDENTIAL THE INFORMATION CONTAINED IN THIS DRAWING IS THE SOLE PROPERTY OF APSCO Inc.. ANY REPRODUCTION IN PART OR AS A WHOLE WITHOUT WRITTEN PERMISSION OF APSCO Inc. IS PROHIBITED.	SURFACE TEXTURE OR BETTER MATERIAL N/A FINISH N/A	