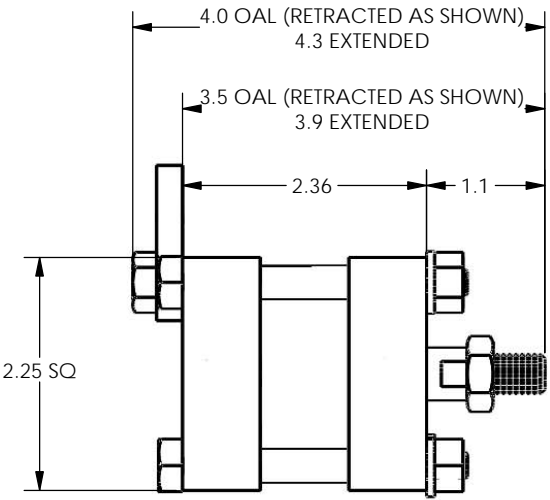
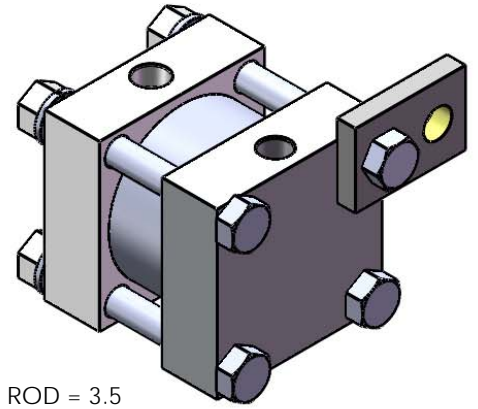
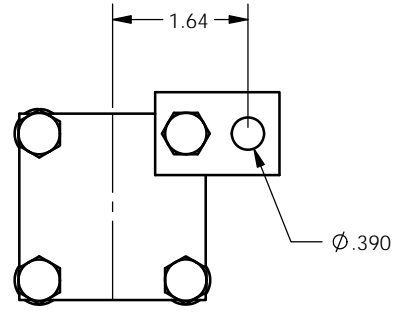
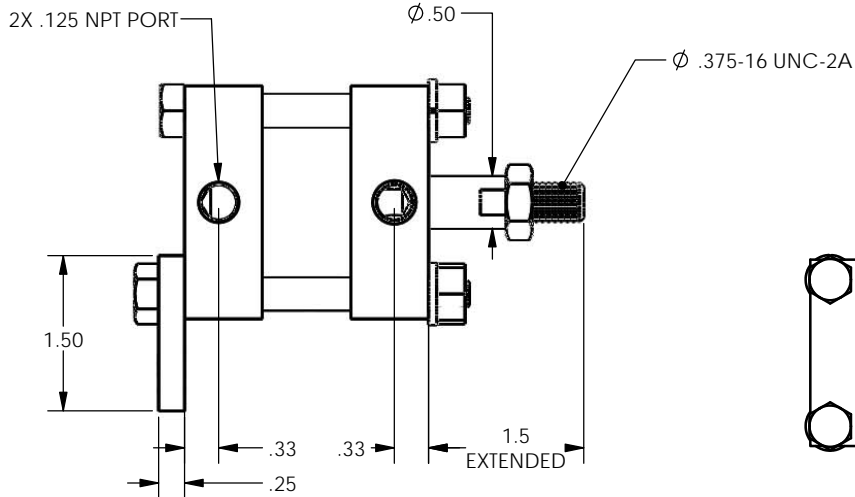


8 7 6 5

REVISIONS				
ECR	REV.	DESCRIPTION	DATE	CHG BY
E2788	-	See Sheet1	05/06/2015	RR



NOTES:  
 BORE = Ø 1.75  
 STROKE = 0.375  
 RETRACTED END TO END OF ROD = 3.5  
 EXTENDED END TO END OF ROD = 3.9  
 EXTENSION FORCE @ 100PSI = 240.5 LBS  
 RETRACTED FORCE @ 100PSI = 220.9 LBS

<p><b>ASSEMBLY</b>                  DO NOT SCALE DRAWING                  UNLESS OTHERWISE SPECIFIED                  DIMENSIONS ARE IN INCHES                  TOLERANCES ARE:                  X = ±.06                  .XX = ±.03                  .XXX = ±.010                  ANGLES = ±2°                  SURFACE TEXTURE OR BETTER</p>	<p><b>PROPRIETARY AND CONFIDENTIAL</b>                  THE INFORMATION CONTAINED IN THIS DRAWING IS THE SOLE PROPERTY OF APSCO Inc.. ANY REPRODUCTION IN PART OR AS A WHOLE WITHOUT WRITTEN PERMISSION OF APSCO Inc. IS PROHIBITED.</p>		<p>TITLE: CYL 1.75 X 0.375 DA 6NC BR</p>	
	<p>DRAWN RR DATE 05/06/2015</p>		<p>DWG. NO. C-4450</p>	
	<p>CHECKED FP DATE 05/19/2015</p>		<p>MATERIAL N/A FINISH N/A</p>	
	<p>APPROVED FH DATE 05/19/2015</p>		<p>REV -</p>	
<p>FINAL FH DATE 05/06/2015</p>		<p>F/N: C-4450</p>		<p>SHT. 2 OF 2</p>

8 7 6 5 4 3 2 1

D  
C  
B  
A

C  
B  
A

