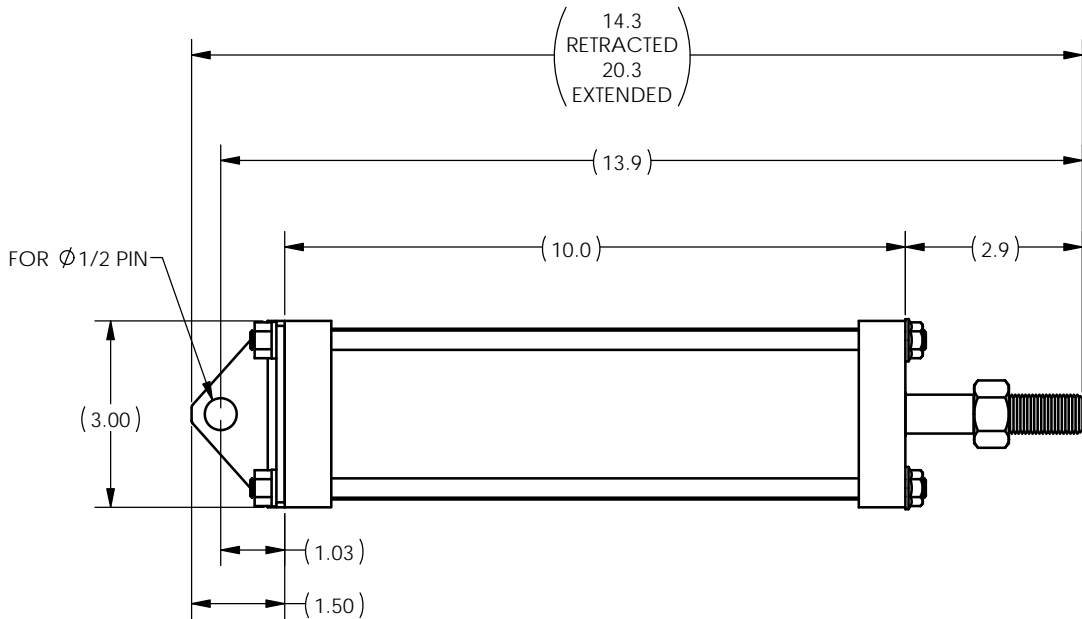
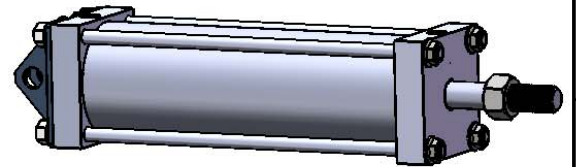
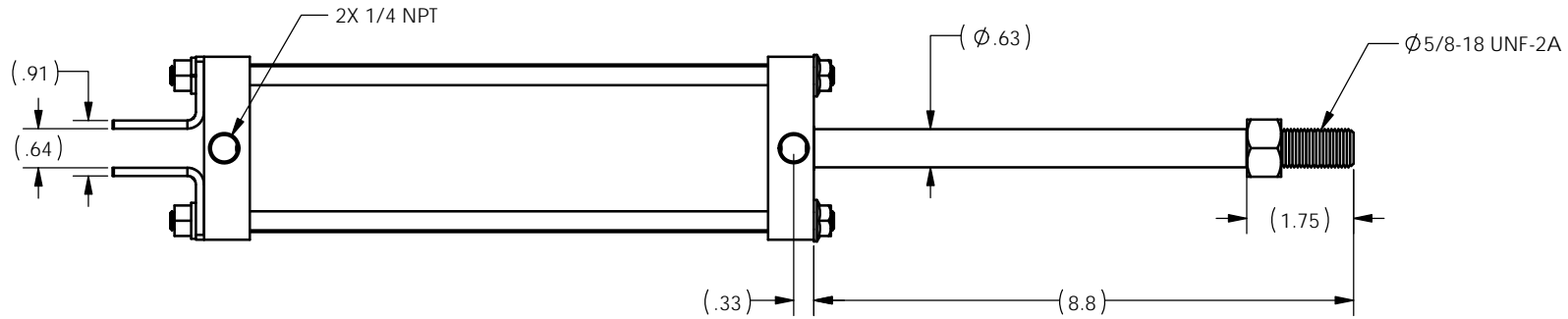


8 7 6 5

REVISIONS				
ECR	REV.	DESCRIPTION	DATE	APPROVED
E3077	A	See Sheet1	5/9/2016	RR



**PORTS ON TOP**

BORE=  $\phi$  2.5  
 STROKE= 6.0  
 RETRACTED PIN TO END OF ROD = 13.9  
 EXTENDED PIN TO END OF ROD = 19.9  
 EXTENSION FORCE @100PSI= 406 LBS  
 RETRACTED FORCE @ 100PSI= 494 LBS  
 SPRING PRELOAD= 33.3 LBS  
 SPRING RATE= 8.6 LBS/IN

<p><b>ASSEMBLY</b>                  DO NOT SCALE DRAWING                  UNLESS OTHERWISE SPECIFIED                  DIMENSIONS ARE IN INCHES                  TOLERANCES ARE:                  .X = <math>\pm 0.06</math>                  .XX = <math>\pm 0.03</math>                  .XXX = <math>\pm 0.010</math>                  ANGLES = <math>\pm 2^\circ</math>                  SURFACE TEXTURE OR BETTER  <math>\sqrt{63}</math></p>	<p><b>PROPRIETARY AND CONFIDENTIAL</b>                  THE INFORMATION CONTAINED IN THIS DRAWING IS THE SOLE PROPERTY OF <b>APSCO Inc.</b>. ANY REPRODUCTION IN PART OR AS A WHOLE WITHOUT WRITTEN PERMISSION OF <b>APSCO Inc.</b> IS PROHIBITED.</p>	TITLE: CYL 2.5 X 6 SR 10 BR																	
		DWG. NO. C-5063																	
		MATERIAL: N/A	FINISH: N/A																
<p>TYPE OF PROJECTION</p> <p>THIRD ANGLE PROJECTION</p> <p>SHEET SIZE B</p>	<table border="1"> <tr> <td>DRAWN</td> <td>RR</td> <td>DATE</td> <td>5/12/2016</td> </tr> <tr> <td>CHECKED</td> <td>DJ</td> <td>DATE</td> <td>5/12/2016</td> </tr> <tr> <td>APPROVED</td> <td>FH</td> <td>DATE</td> <td>5/12/2016</td> </tr> <tr> <td>FINAL</td> <td>FH</td> <td>DATE</td> <td>5/12/2016</td> </tr> </table>	DRAWN	RR	DATE	5/12/2016	CHECKED	DJ	DATE	5/12/2016	APPROVED	FH	DATE	5/12/2016	FINAL	FH	DATE	5/12/2016	<p>8175 EAST 44TH STREET TULSA, OK 74145</p>	REV <b>A</b>
DRAWN	RR	DATE	5/12/2016																
CHECKED	DJ	DATE	5/12/2016																
APPROVED	FH	DATE	5/12/2016																
FINAL	FH	DATE	5/12/2016																
		F/N: C-5063)A																	
		SHT. 2 OF 2																	

8 7 6 5

3 2 1