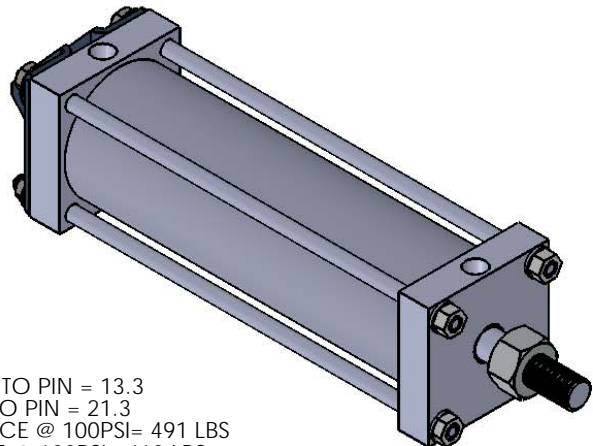
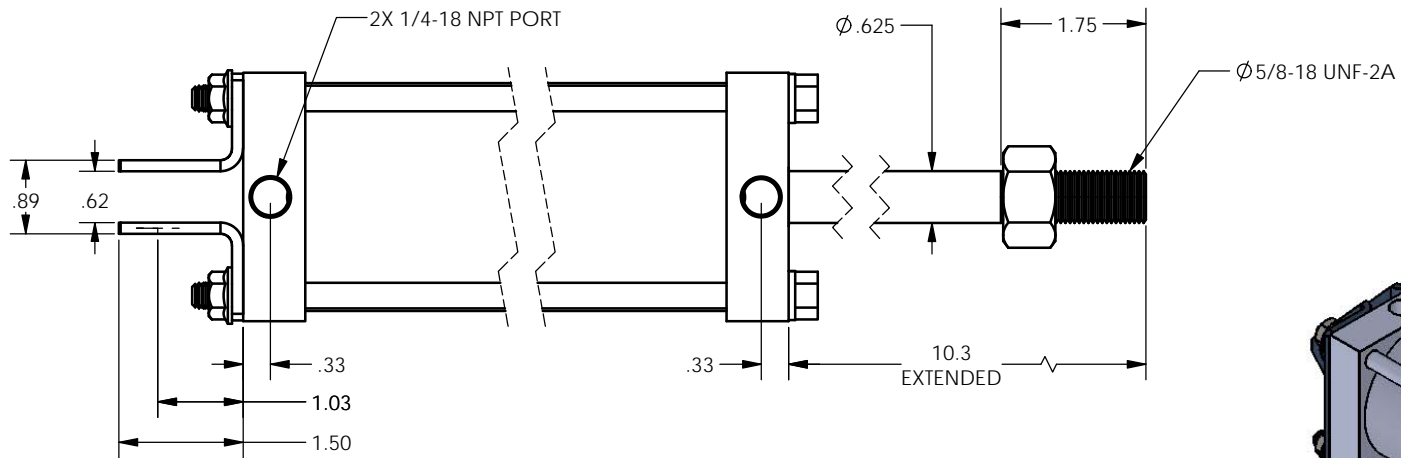


8 7 6 5

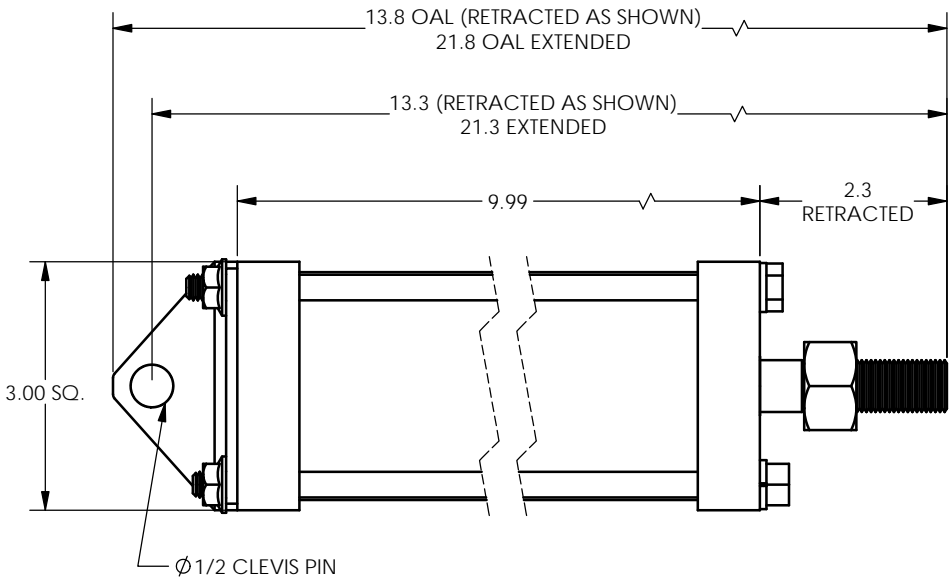
REVISIONS				
ECR	REV.	DESCRIPTION	DATE	CHG BY
E2520	A	See Sheet1	07/15/2014	PEREZ



NOTES:

BORE = $\phi 2.5"$
 STROKE = 8.0
 RETRACTED PIN TO PIN = 13.3
 EXTENDED PIN TO PIN = 21.3
 EXTENSION FORCE @ 100PSI= 491 LBS
 RETRACT FORCE @ 100PSI= 460 LBS

PORTS ON TOP



<p>ASSEMBLY DO NOT SCALE DRAWING UNLESS OTHERWISE SPECIFIED DIMENSIONS ARE IN INCHES TOLERANCES ARE:</p> <p>X = ±.06 .XX = ±.03 .XXX = ±.010</p> <p>ANGLES = ±2°</p> <p>6.3 SURFACE TEXTURE OR BETTER</p>	<p>PROPRIETARY AND CONFIDENTIAL THE INFORMATION CONTAINED IN THIS DRAWING IS THE SOLE PROPERTY OF APSCO Inc.. ANY REPRODUCTION IN PART OR AS A WHOLE WITHOUT WRITTEN PERMISSION OF APSCO Inc. IS PROHIBITED.</p>	TITLE: CYL 2.5 X 8 DA 10 BR	
		DWG. NO. C-5070	
<p>TYPE OF PROJECTION</p> <p>THIRD ANGLE PROJECTION</p> <p>SHEET SIZE B</p>	<p>DRAWN RR DATE 07/01/2015</p> <p>CHECKED FP DATE 07/01/2015</p> <p>APPROVED FH DATE 07/01/2015</p> <p>FINAL FH DATE 07/1/2015</p>	MATERIAL N/A	FINISH N/A
		<p>8175 EAST 44TH STREET TULSA, OK 74145</p>	
		REV A	F/N: C-5070 SHT. 2 OF 2

8 7 6 5 4 3 2 1