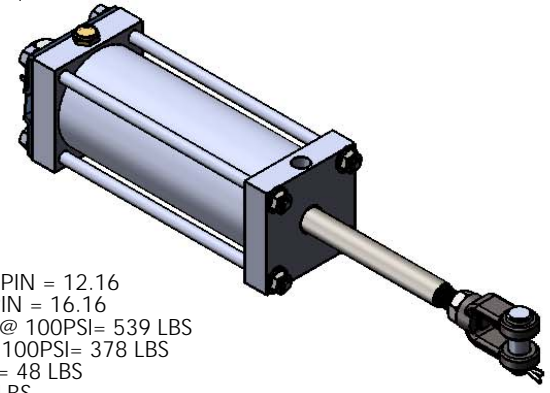
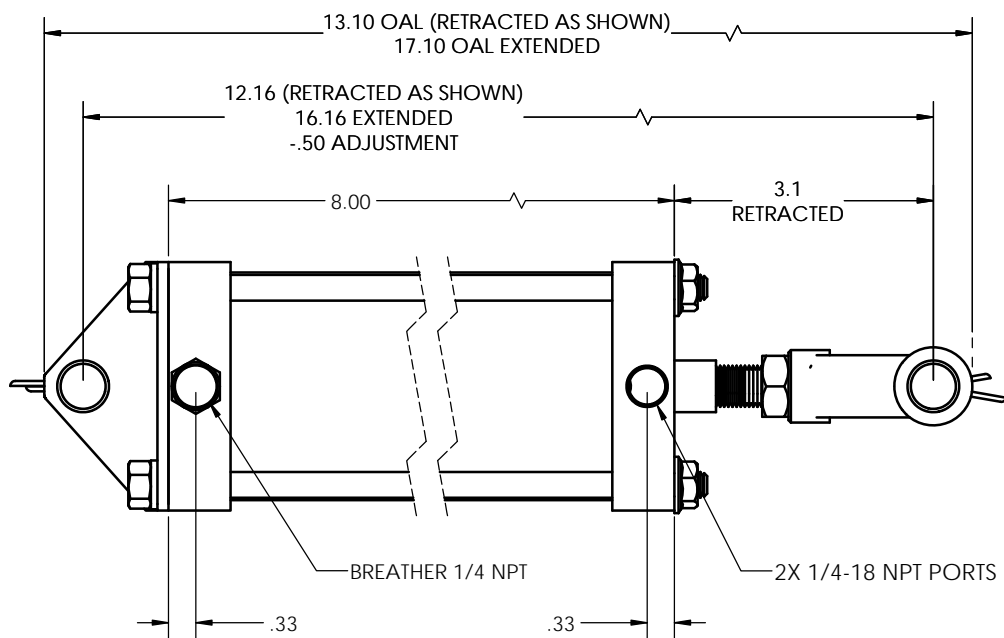
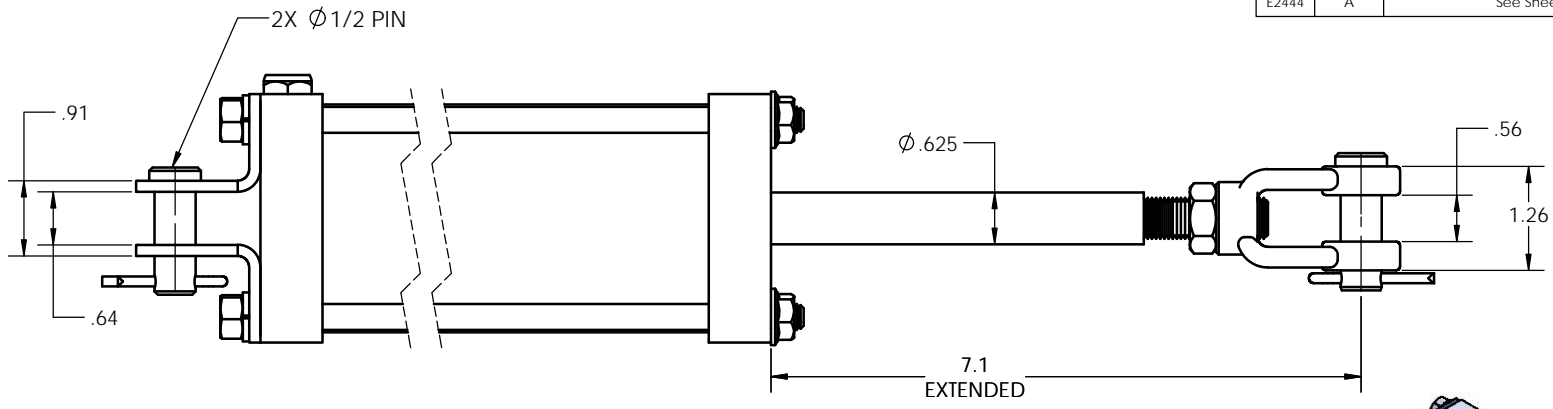


REVISIONS				
ECR	REV.	DESCRIPTION	DATE	CHG BY
E2444	A	See Sheet1	02/19/2014	JUMPER



NOTES:

- BORE = Ø 2.5"
- STROKE = 4.0
- RETRACTED PIN TO PIN = 12.16
- EXTENDED PIN TO PIN = 16.16
- EXTENSION FORCE @ 100PSI= 539 LBS
- RETRACT FORCE @ 100PSI= 378 LBS
- SPRING PRE LOAD = 48 LBS
- SPRING RATE = 8.3 LBS

PORTS ON SIDE

<p>TYPE OF PROJECTION</p> <p>THIRD ANGLE PROJECTION</p>	<p>DO NOT SCALE DRAWING UNLESS OTHERWISE SPECIFIED DIMENSIONS ARE IN INCHES TOLERANCES ARE: DECIMALS .X = ±.03 .XX = ±.010 .XXX = ±.005 FRACTION = ±.015 ANGLES = ±1/2°</p>		
<p>TITLE: CYL 2.50 X 4.00 SE 8 BR</p>		<p>DWG. NO.</p> <p>C-5078-PK</p>	<p>REV</p> <p>A</p>
<p>SIZE</p> <p>B</p>	<p>DRAWN</p> <p>JUMPER</p>	<p>DATE</p> <p>08/02/2013</p>	<p>CLASS</p>
<p>F/N: C-5000 SERIES MASTER</p>			<p>SHT. 2 OF 2</p>