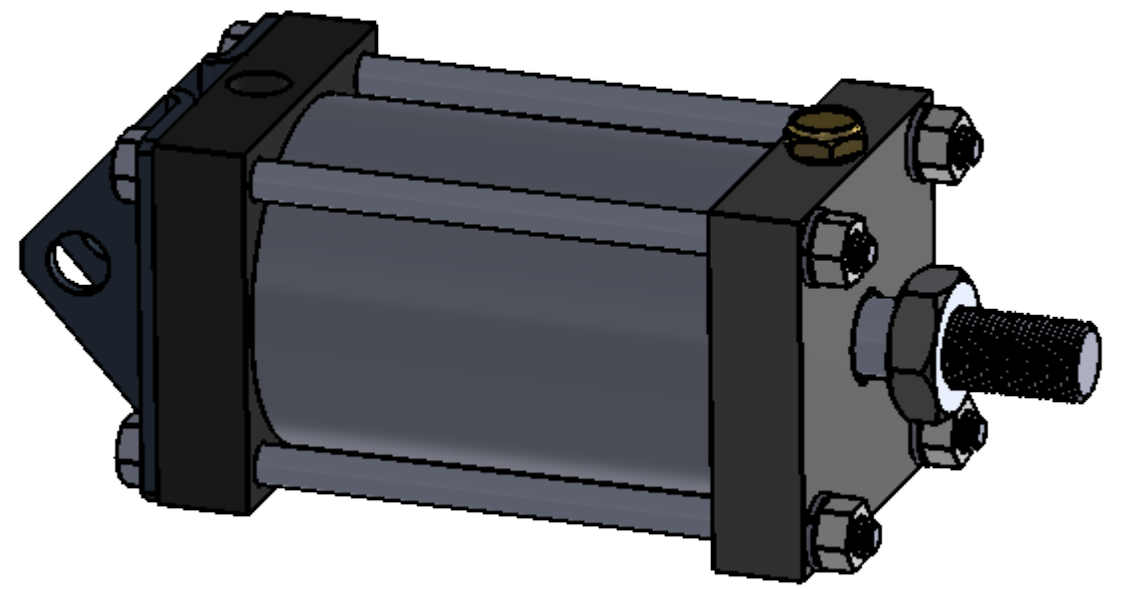
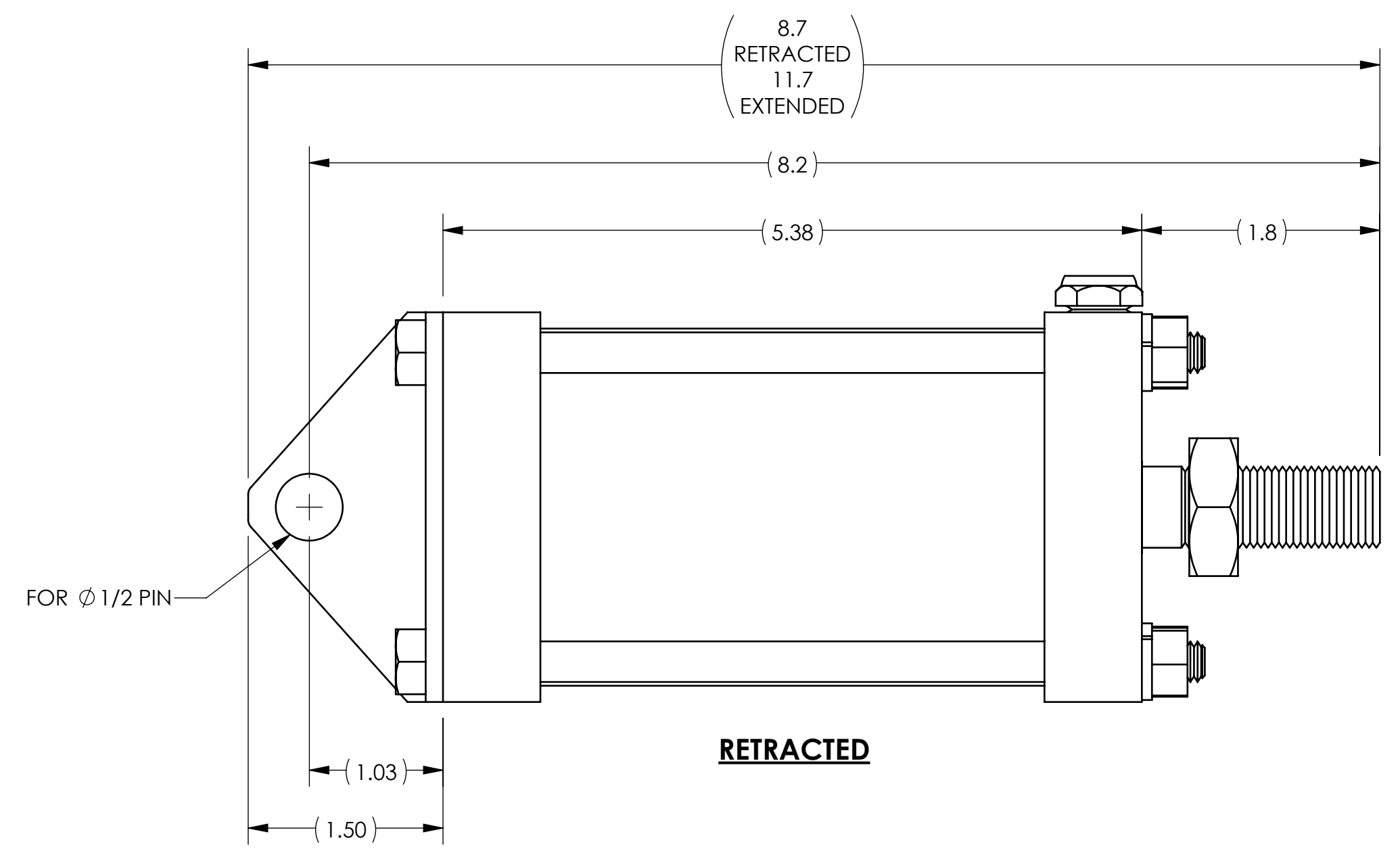
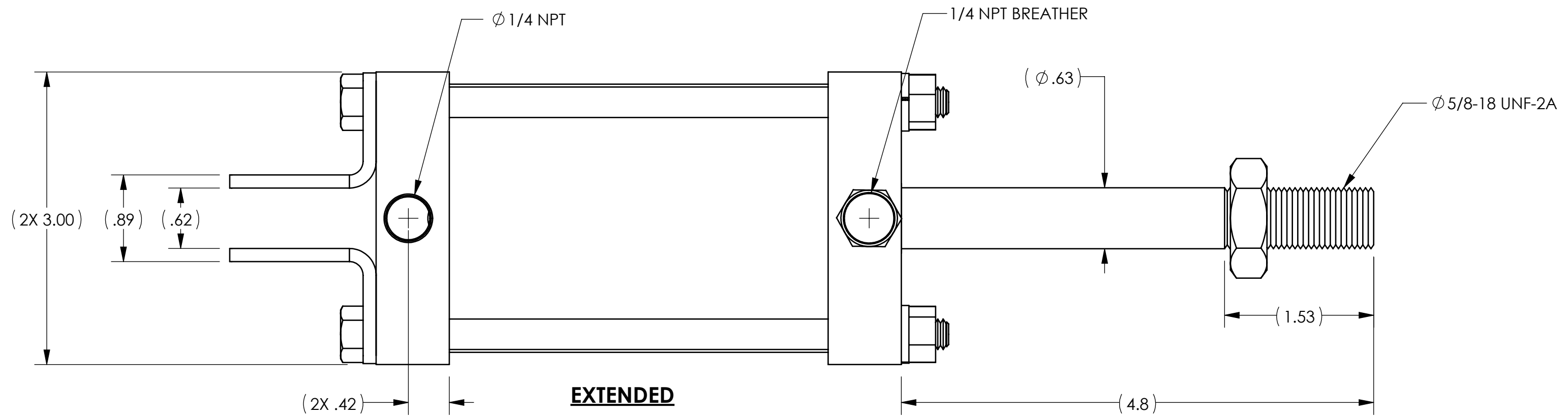


REVISIONS					
ECR	REVISION	DESCRIPTION	CHANGED BY	DATE	APPROVED BY
3566	B	1501 WAS 4327	RR	1/4/2018	FH



PROPRIETARY AND CONFIDENTIAL
 THE INFORMATION CONTAINED IN THIS DRAWING IS THE SOLE PROPERTY OF APSCO Inc.. ANY REPRODUCTION IN PART OR AS A WHOLE WITHOUT WRITTEN PERMISSION OF APSCO Inc. IS PROHIBITED.

TYPE OF PROJECTION		MATERIAL
THIRD ANGLE PROJECTION		N/A
DRAWN	DATE	FINISH
RR	8/2/2017	
CHECKED	DATE	N/A
FP	8/2/2017	
APPROVED	DATE	
FH	8/2/2017	
FINAL	DATE	
FH	8/2/2017	

APSCO
 8178 EAST 44TH STREET
 TULSA, OK 74145
 (918) 622-5600

TITLE: CYL. 2.5 X 3 SR 10 BR

DWG. NO. C-5103-SR

ASSEMBLY TOLERANCE	SHEET SIZE	SCALE	REVISION
DO NOT SCALE DRAWING APEN001	C	1:1	B

F/N: C-5103-SR SHT. 2 OF 2