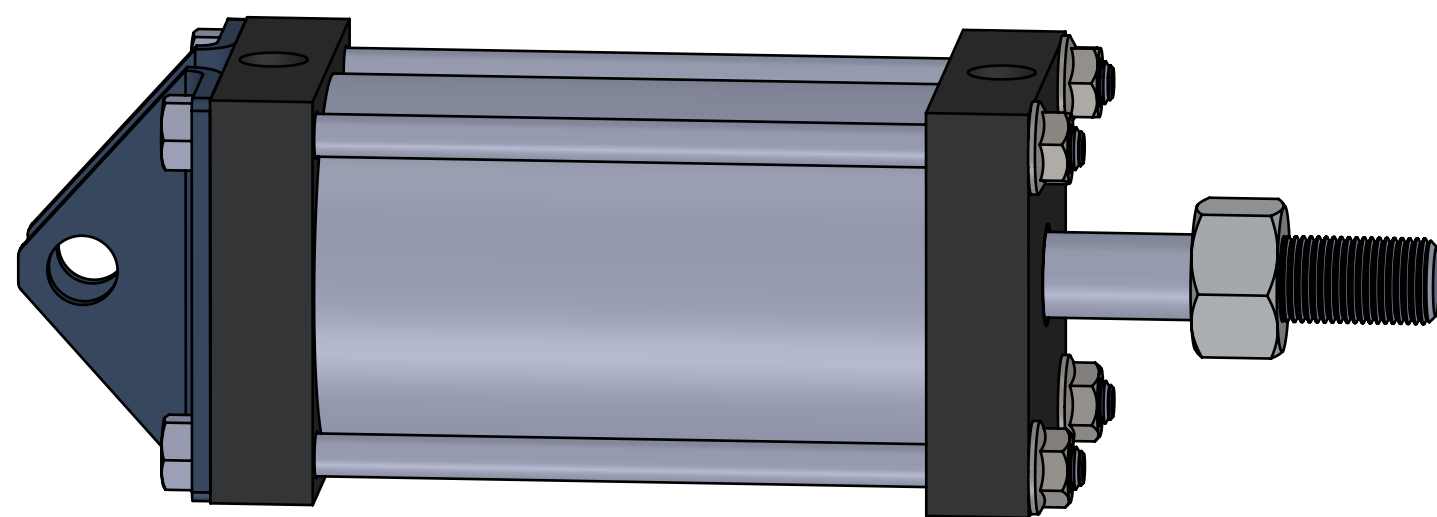
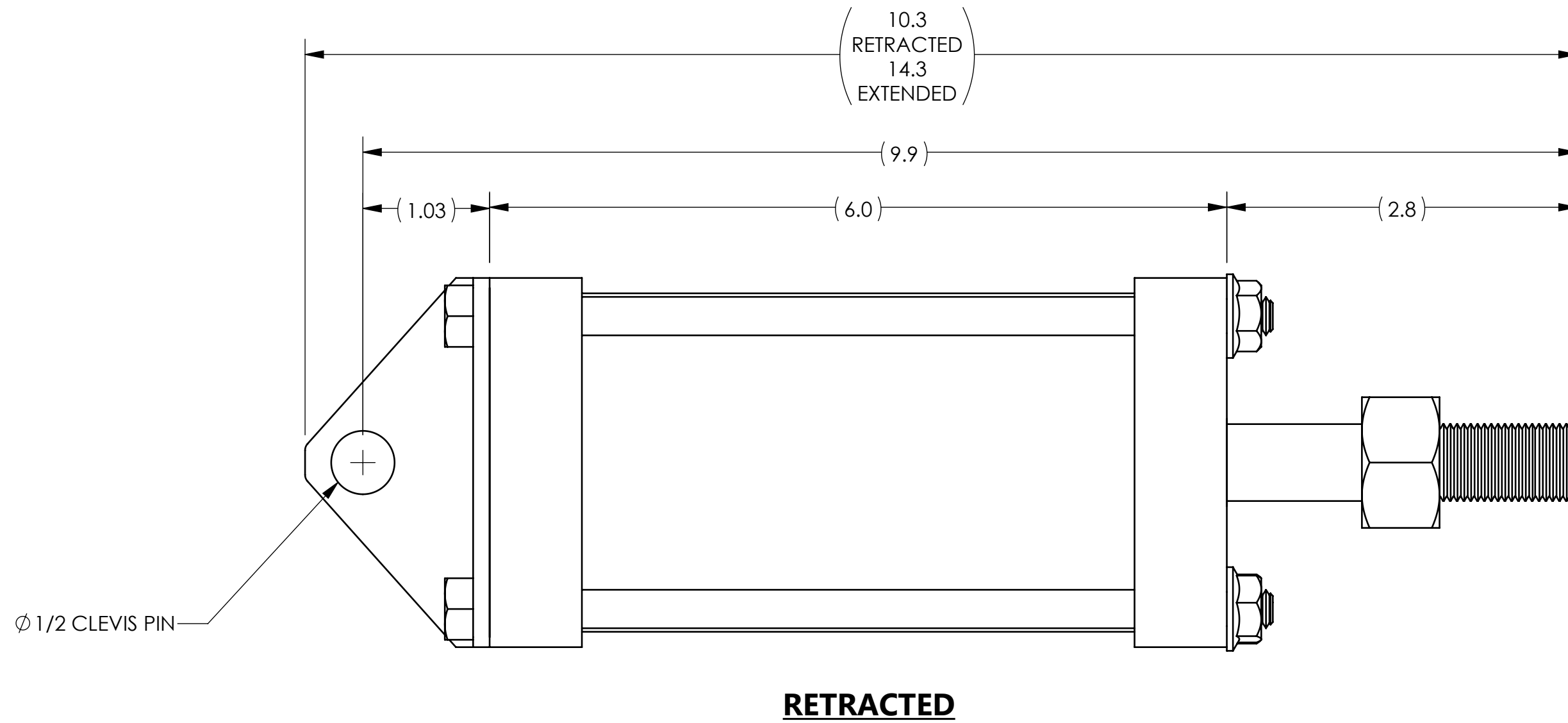
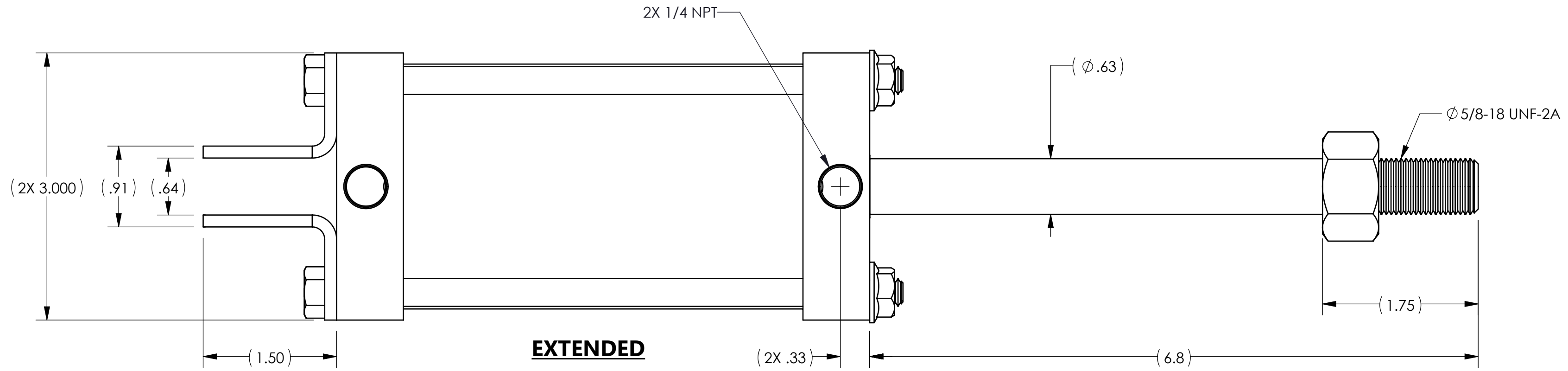


NOTES (UNLESS OTHERWISE SPECIFIED)
 1. BREAK ALL SHARP EDGES
 2. REMOVE ALL BURRS FOR SAFE HANDLING

REVISIONS					
ECR	REVISION	DESCRIPTION	CHANGED BY	DATE	APPROVED BY
3846	A	NEW RELEASE	CB	9/2/2020	RT



PROPRIETARY AND CONFIDENTIAL
 THE INFORMATION CONTAINED IN THIS DRAWING IS THE SOLE PROPERTY OF APSCO Inc.. ANY REPRODUCTION IN PART OR AS A WHOLE WITHOUT WRITTEN PERMISSION OF APSCO Inc. IS PROHIBITED.

TYPE OF PROJECTION		MATERIAL
THIRD ANGLE PROJECTION		N/A
DRAWN	DATE	FINISH
CB	9/2/2020	
CHECKED	DATE	
DB	9/2/2020	
APPROVED	DATE	
KT	9/2/2020	N/A
FINAL	DATE	
RT	9/2/2020	



TITLE: CYL. 2.5X4 DA 10 BR		
UNLESS OTHERWISE SPECIFIED DIMENSIONS ARE IN INCHES TOLERANCES ARE:		DWG. NO. C-5180S
DECIMALS .X = ±.06 .XX = ±.03 .XXX = ±.010	SURFACE FINISH: 63 ANGLES ± 2° HOLES ± .005 HOLES LOCATION ± .005	SHEET SIZE SCALE REVISION C 1:1 A
DO NOT SCALE DRAWING		F/N: C-5180S SHT. 2 OF 2