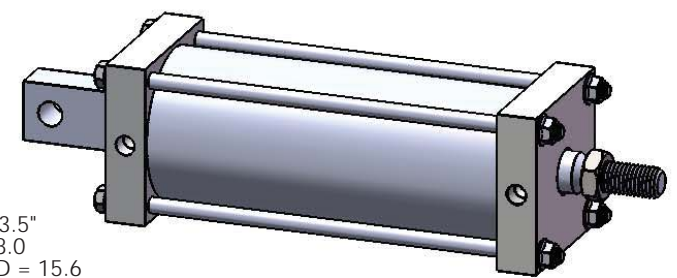
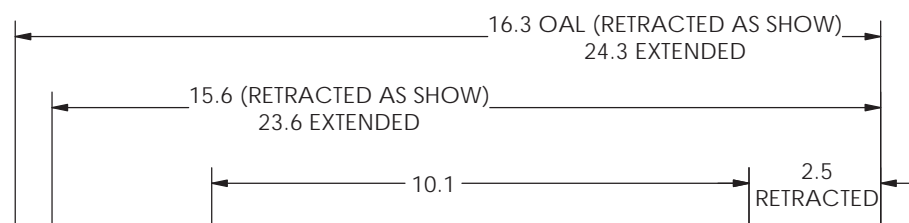
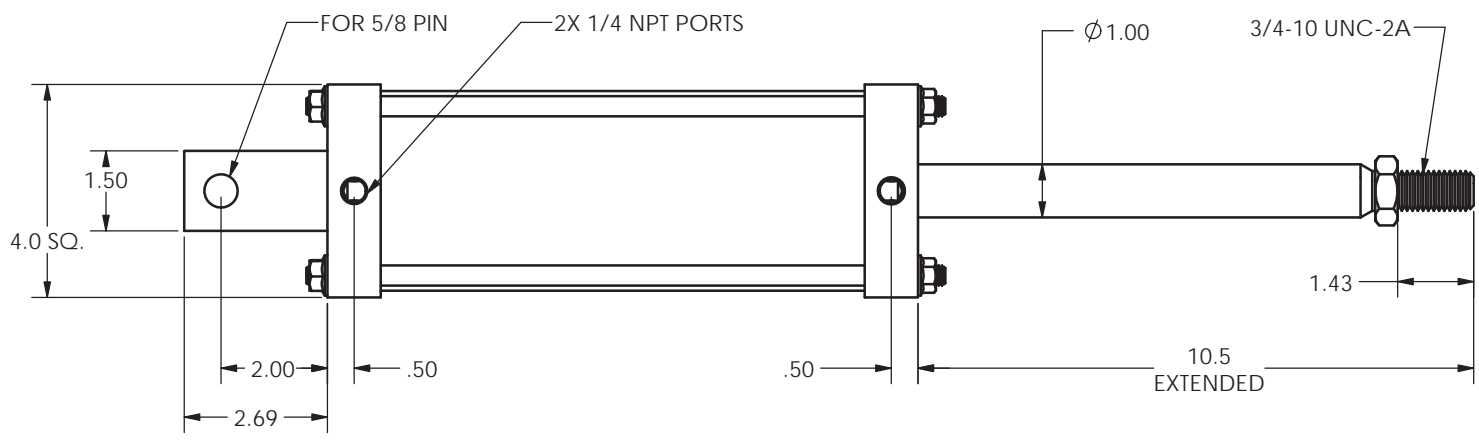


REVISIONS				
ECR	REV.	DESCRIPTION	DATE	APPROVED
E2146	-	See Sheet1	05/16/2013	JUMPER



NOTES:
 BORE = $\phi 3.5"$
 STROKE = 8.0
 RETRACTED = 15.6
 EXTENDED = 23.6
 EXTENSION FORCE @ 100PSI= 962 LBS
 RETRACT FORCE @ 100PSI= 984 LBS

PORTS ON SIDE

TYPE OF PROJECTION THIRD ANGLE PROJECTION	DO NOT SCALE DRAWING UNLESS OTHERWISE SPECIFIED DIMENSIONS ARE IN INCHES TOLERANCES ARE: DECIMALS X = ± 0.03 XX = ± 0.10 XXX = ± 0.005 FRACTION = ± 0.015 ANGLES = $\pm 1/2^\circ$
PROPRIETARY AND CONFIDENTIAL THE INFORMATION CONTAINED IN THIS DRAWING IS THE SOLE PROPERTY OF APSCO Inc. ANY REPRODUCTION IN PART OR AS A WHOLE WITHOUT WRITTEN PERMISSION OF APSCO Inc. IS PROHIBITED.	SURFACE TEXTURE OR BETTER MATERIAL N/A FINISH N/A

 8178 EAST 44TH STREET TULSA, OK 74145			
TITLE: CYL 3.5 X 8 DA 12NC BE			
DWG. NO.		REV	
C-6004		-	
SIZE	DRAWN	DATE	CLASS
B	JUMPER	09/01/2011	CYL
F/N: C-6000 SERIES MASTER			SHT. 2 OF 2

8 7 6 5 4 3 2 1

D

C

B

A

8 7 6 5 4 3 2 1