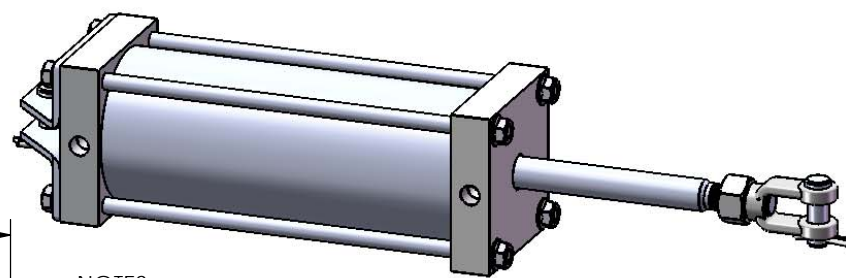
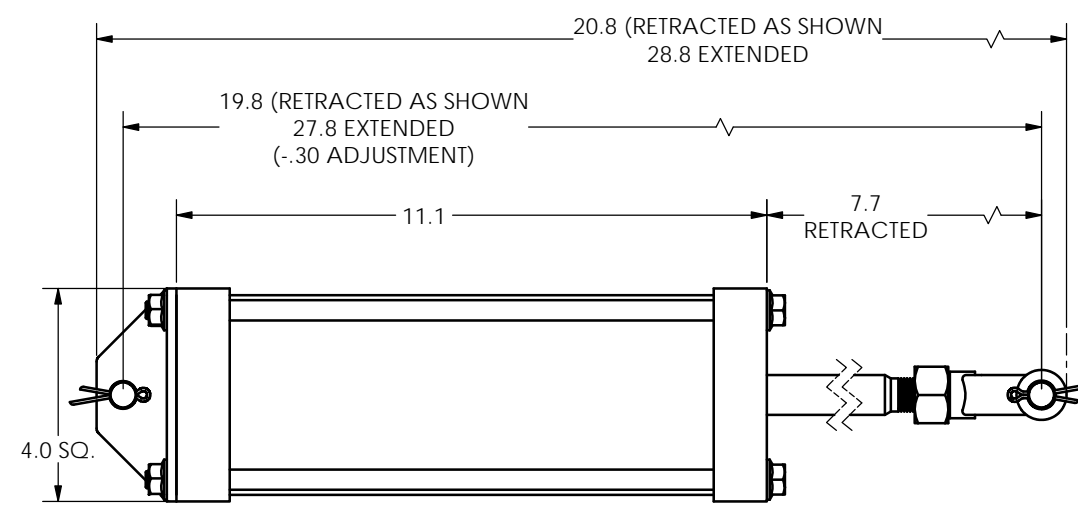
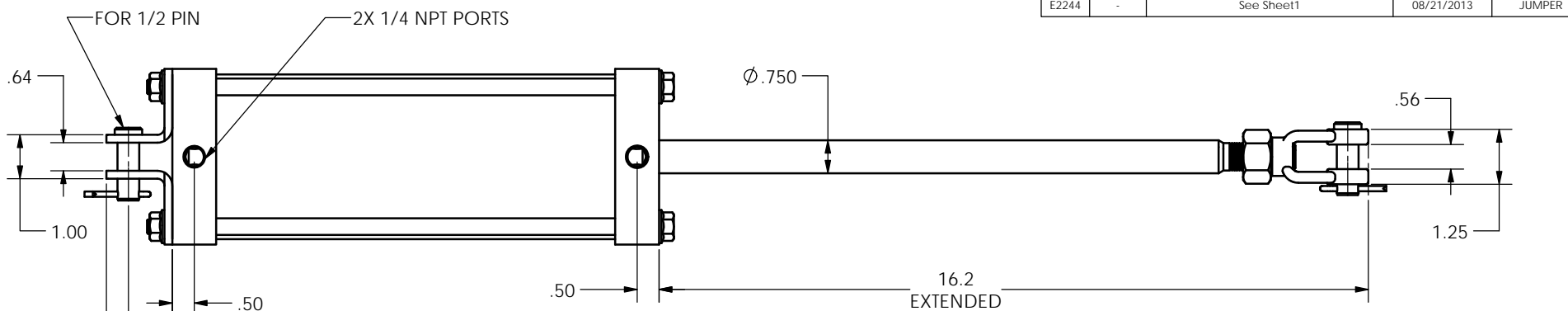


REVISIONS				
ECR	REV.	DESCRIPTION	DATE	CHG BY
E2244	-	See Sheet1	08/21/2013	JUMPER



NOTES:

BORE = ϕ 3.5"
 STROKE = 8.0
 RETRACTED = 19.8
 EXTENDED = 27.8
 EXTENSION FORCE @ 100PSI= 962 LBS
 RETRACT FORCE @ 100PSI= 918 LBS

PORTS ON TOP

TYPE OF PROJECTION THIRD ANGLE PROJECTION	DO NOT SCALE DRAWING UNLESS OTHERWISE SPECIFIED DIMENSIONS ARE IN INCHES TOLERANCES ARE: DECIMALS X = \pm .03 .XX = \pm .010 .XXX = \pm .005 FRACTION = \pm .015 ANGLES = \pm 1/2°	 8178 EAST 44TH STREET TULSA, OK 74145	
		TITLE: CYL 3.5 X 8 DA 10 BR PIN KIT	
PROPRIETARY AND CONFIDENTIAL THE INFORMATION CONTAINED IN THIS DRAWING IS THE SOLE PROPERTY OF APSCO Inc.. ANY REPRODUCTION IN PART OR AS A WHOLE WITHOUT WRITTEN PERMISSION OF APSCO Inc. IS PROHIBITED.	SURFACE TEXTURE OR BETTER MATERIAL: N/A	DWG. NO. C-6023S-PK	REV -
	FINISH: N/A	SIZE: B	DRAWN: JUMPER DATE: 09/01/2011 CLASS: CYL