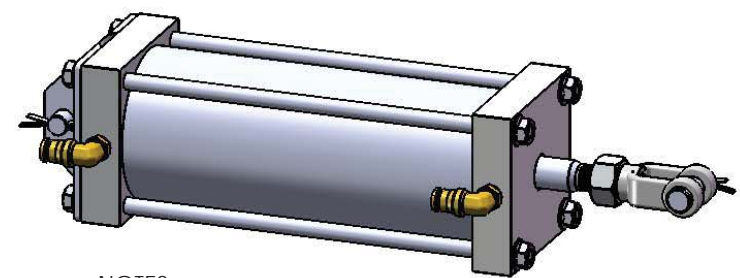
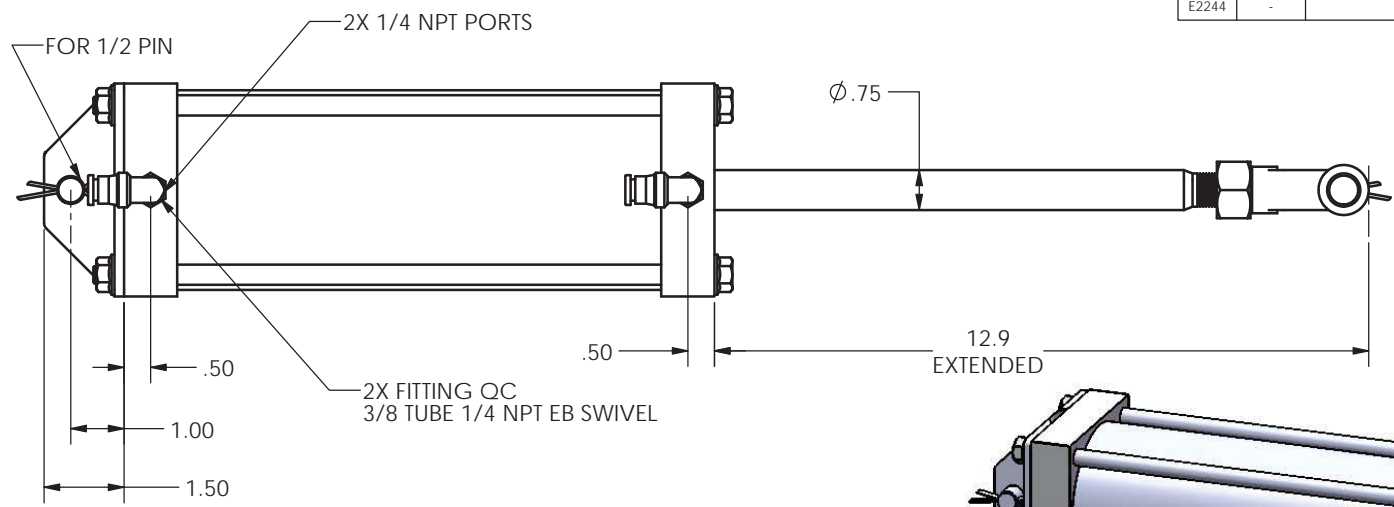


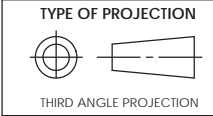
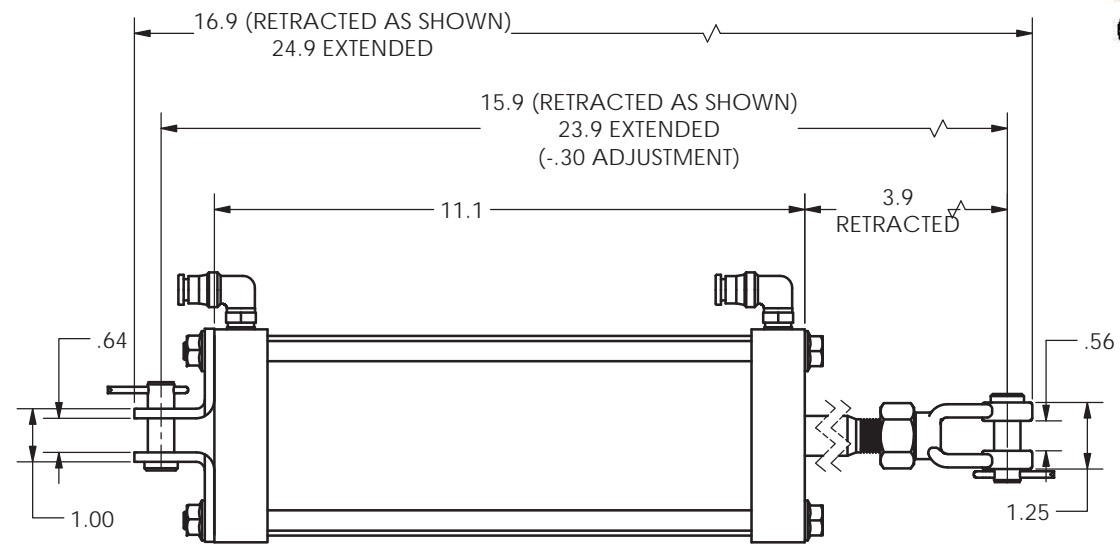
REVISIONS				
ECR	REV.	DESCRIPTION	DATE	CHG BY
E2244	-	See Sheet1	08/21/2013	JUMPER



**NOTES:**

BORE = Ø3.5"  
 STROKE = 8.0  
 RETRACTED = 15.9  
 EXTENDED = 23.9  
 EXTENSION FORCE @ 100PSI= 962 LBS  
 RETRACT FORCE @ 100PSI= 918 LBS

**PORTS ON SIDE**



**PROPRIETARY AND CONFIDENTIAL**  
 THE INFORMATION CONTAINED IN THIS DRAWING IS THE SOLE PROPERTY OF APSCO Inc. ANY REPRODUCTION IN PART OR AS A WHOLE WITHOUT WRITTEN PERMISSION OF APSCO Inc. IS PROHIBITED.

DO NOT SCALE DRAWING UNLESS OTHERWISE SPECIFIED DIMENSIONS ARE IN INCHES  
 TOLERANCES ARE:  
 DECIMALS  
 X = ±.03  
 XX = ±.010  
 XXX = ±.005  
 FRACTION = ±.015  
 ANGLES = ±1/2°  
 SURFACE TEXTURE OR BETTER  
 MATERIAL N/A  
 FINISH N/A



TITLE: CYL 3.50 X 8.00 DA 10 BR			
DWG. NO. C-6059-F-PK		REV. -	
SIZE B	DRAWN JUMPER	DATE 04/10/2012	CLASS CYL
F/N: C-6000 SERIES MASTER			SHT. 2 OF 2