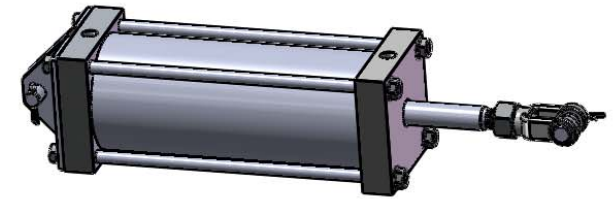
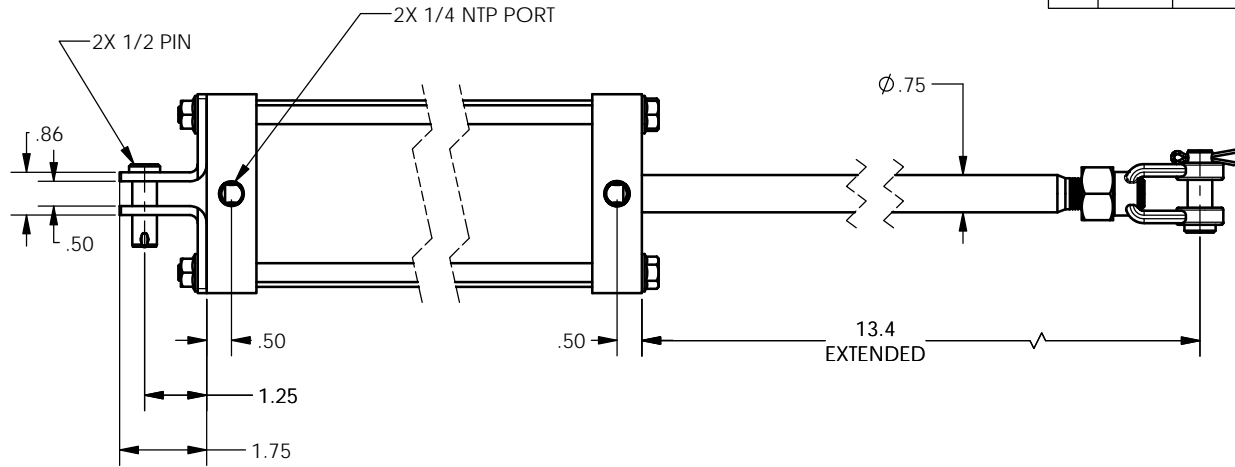


8 7 6 5

REVISIONS				
ECR	REV.	DESCRIPTION	DATE	CHG BY
E2752	-	See Sheet1	04/24/2015	RR



NOTES:

BORE: ϕ 3.50"
 STROKE: 8.0
 RETRACTED PIN TO PIN: 17.8
 EXTENDED PIN TO PIN: 25.8
 EXTENDED FORCE @ 100PSI: 962 LBS
 RETRACTED FORCE @ 100PSI: 918 LBS

PORTS ON TOP

D

C

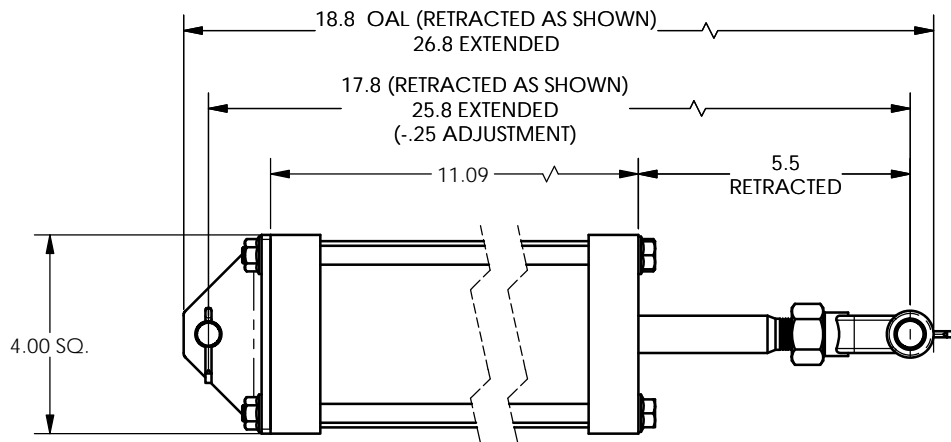
B

A

C

B

A



8 7 6 5 4 3 2 1

<p>ASSEMBLY DO NOT SCALE DRAWING UNLESS OTHERWISE SPECIFIED DIMENSIONS ARE IN INCHES TOLERANCES ARE:</p> <p>.X = \pm.06 .XX = \pm.03 .XXX = \pm.010</p> <p>ANGLES = \pm2°</p> <p>6.3 SURFACE TEXTURE OR BETTER</p> <p>TYPE OF PROJECTION</p> <p>THIRD ANGLE PROJECTION</p> <p>SHEET SIZE B</p>	<p>PROPRIETARY AND CONFIDENTIAL THE INFORMATION CONTAINED IN THIS DRAWING IS THE SOLE PROPERTY OF APSCO Inc.. ANY REPRODUCTION IN PART OR AS A WHOLE WITHOUT WRITTEN PERMISSION OF APSCO Inc. IS PROHIBITED.</p>		<p>TITLE: CYL 3.5 X 8 DA 10 BR</p>	
	<p>DRAWN RR DATE 04/24/2015</p>		<p>DWG. NO. C-6093-PK</p>	
	<p>CHECKED FP DATE 04/24/2015</p>		<p>MATERIAL N/A FINISH N/A</p>	
	<p>APPROVED FH DATE 04/24/2015</p>		<p>REV -</p>	
<p>FINAL FH DATE 4/24/2015</p>		<p>F/N: C-6093-PK</p>		<p>SHT. 2 OF 2</p>

