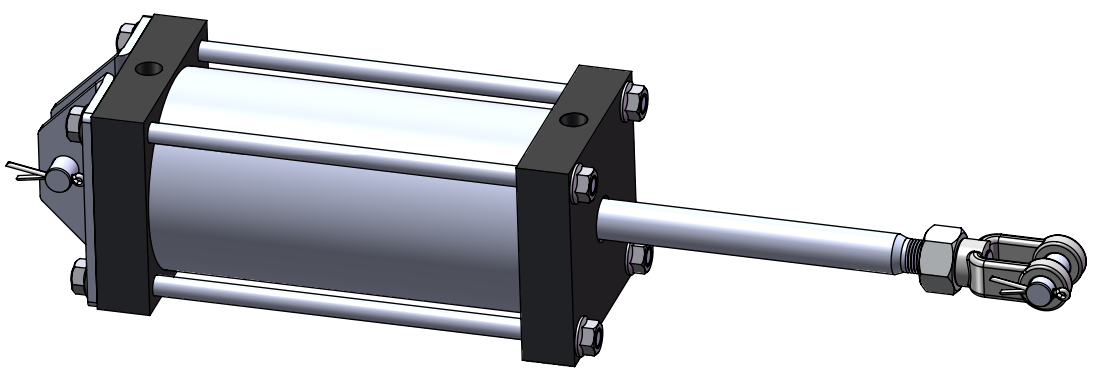
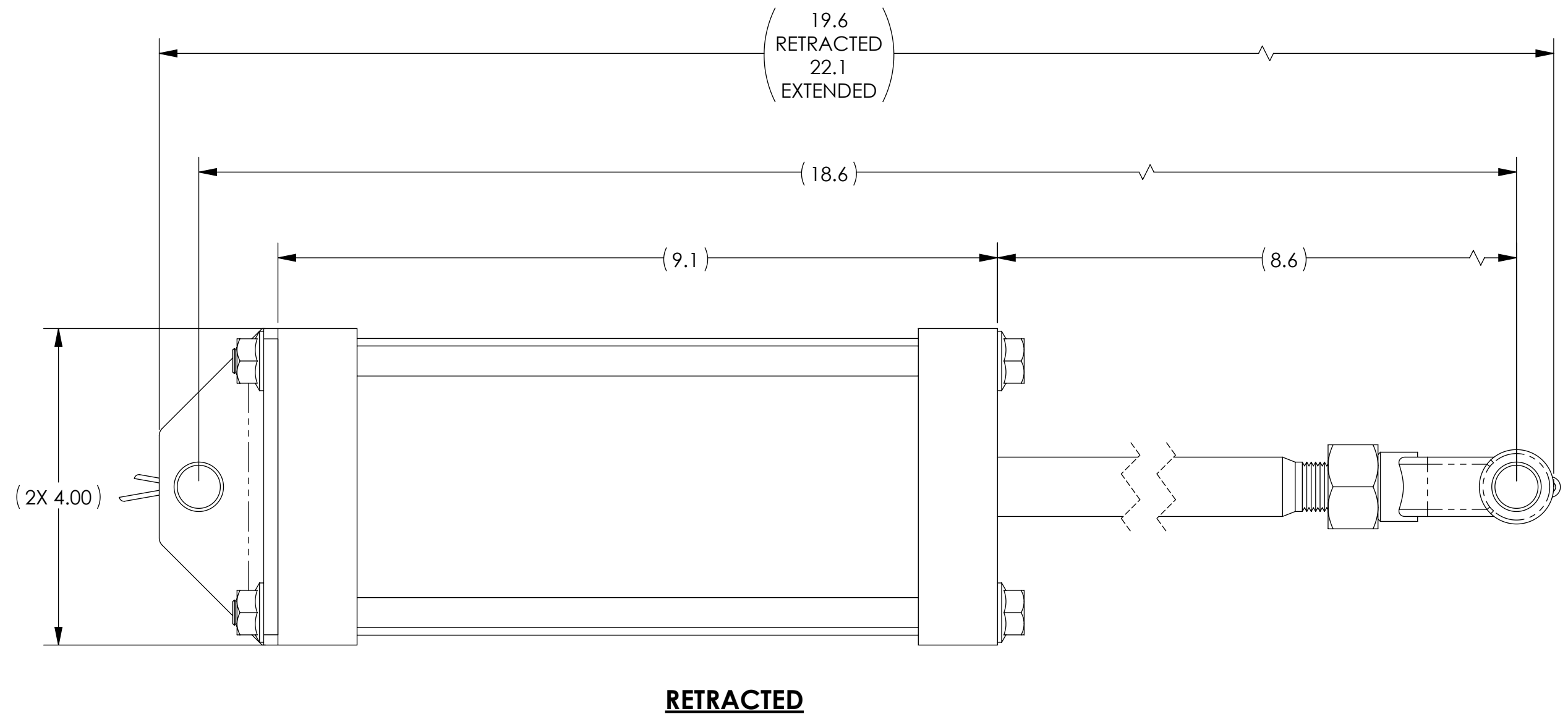
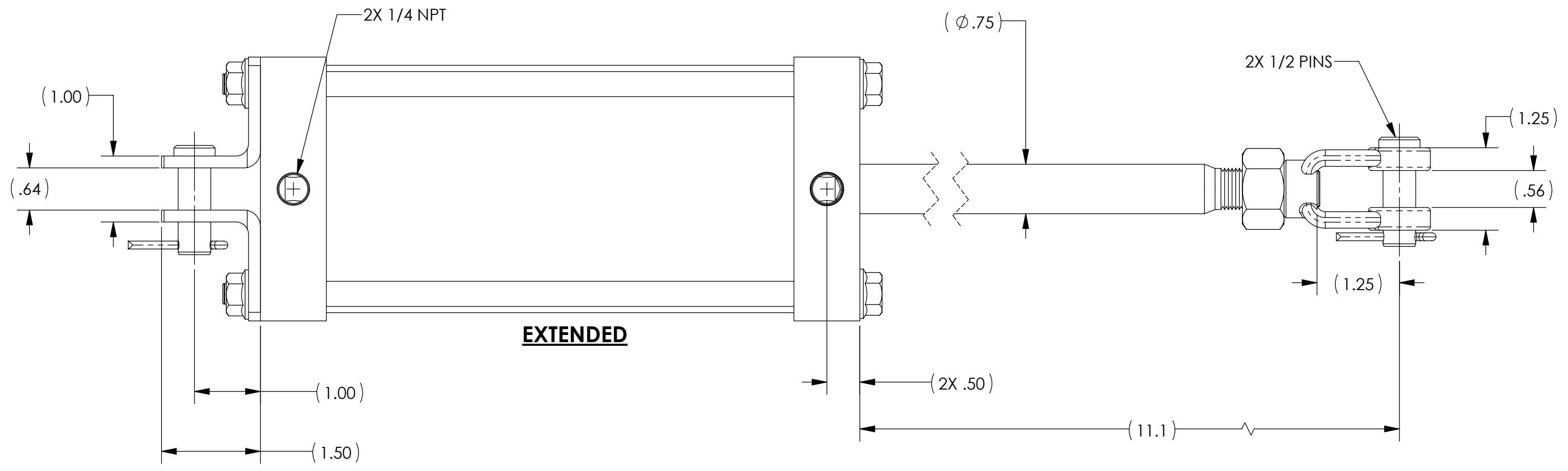
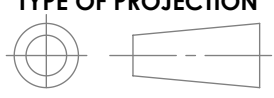



REVISIONS					
ECR	REVISION	DESCRIPTION	CHANGED BY	DATE	APPROVED BY
3844	A	UPDATED NOTES AND 6917	CB	8/27/2020	RT



PROPRIETARY AND CONFIDENTIAL
 THE INFORMATION CONTAINED IN THIS DRAWING IS THE SOLE PROPERTY OF APSCO Inc.. ANY REPRODUCTION IN PART OR AS A WHOLE WITHOUT WRITTEN PERMISSION OF APSCO Inc. IS PROHIBITED.

TYPE OF PROJECTION		MATERIAL
 THIRD ANGLE PROJECTION		N/A
DRAWN	DATE	FINISH
CB	8/27/2020	
CHECKED	DATE	
DB	8/27/2020	
APPROVED	DATE	
KT	8/27/2020	N/A
FINAL	DATE	
RT	8/27/2020	



APSCO
 8178 EAST 44TH STREET
 TULSA, OK 74145
 (918) 622-5600

TITLE: **CYL 3.5 X 2.5 SR PK**

UNLESS OTHERWISE SPECIFIED DIMENSIONS ARE IN INCHES TOLERANCES ARE:			DWG. NO.		
DECIMALS	SURFACE FINISH: 63		C-6101-SR-PK		
.X = ±.06	ANGLES ± 2°		SHEET SIZE	SCALE	REVISION
.XX = ±.03	HOLES ± .005		C	2:3	A
.XXX = ±.010	HOLES LOCATION ± .005				
DO NOT SCALE DRAWING					
F/N: C-6101-SR-PK			SHT. 2 OF 2		