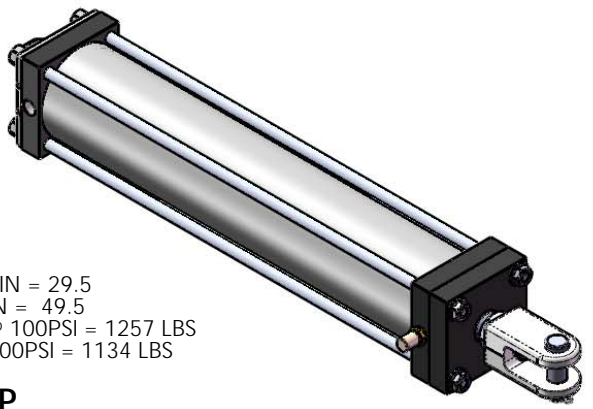
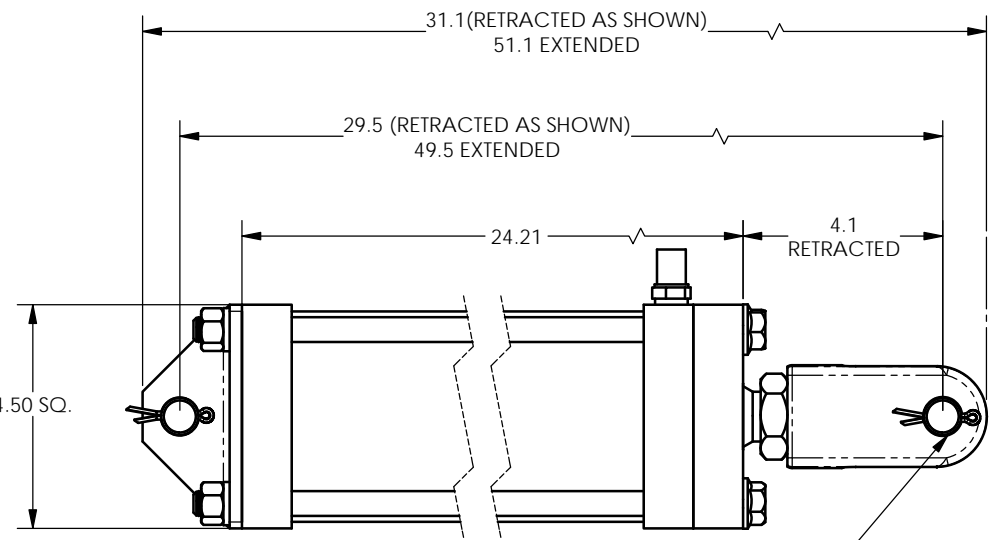
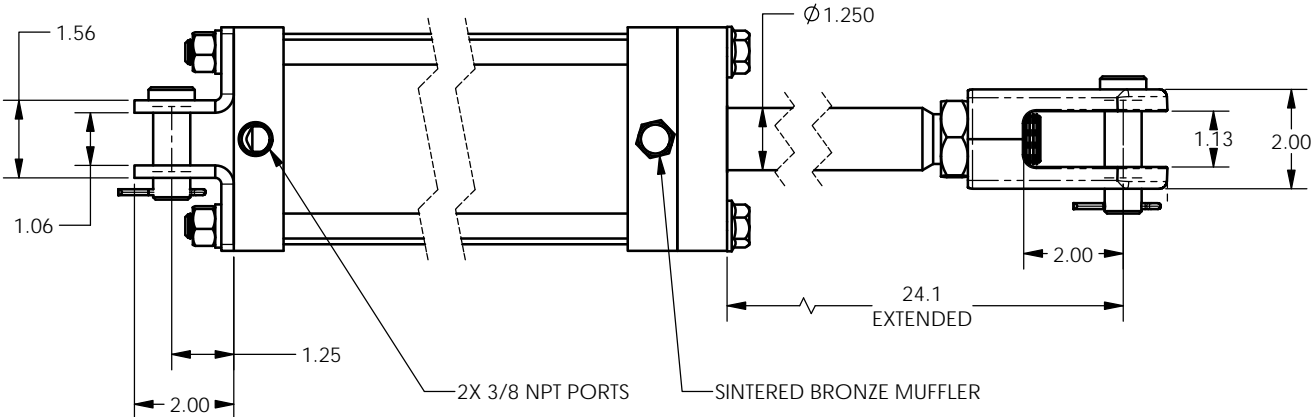
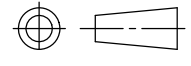



REVISIONS				
ECR	REV.	DESCRIPTION	DATE	CHG BY
E2139	A	See Sheet1	05/03/2013	JUMPER



NOTES:
 BORE = \varnothing 4.0"
 STROKE = 20.0
 RETRACTED PIN TO PIN = 29.5
 EXTENDED PIN TO PIN = 49.5
 EXTENSION FORCE @ 100PSI = 1257 LBS
 RETRACT FORCE @ 100PSI = 1134 LBS

PORTS ON TOP

TYPE OF PROJECTION  THIRD ANGLE PROJECTION	DO NOT SCALE DRAWING UNLESS OTHERWISE SPECIFIED DIMENSIONS ARE IN INCHES TOLERANCES ARE: DECIMALS .X = \pm .03 .XX = \pm .010 .XXX = \pm .005 FRACTION = \pm .015 ANGLES = \pm 1/2°	 8178 EAST 44TH STREET TULSA, OK 74145
PROPRIETARY AND CONFIDENTIAL THE INFORMATION CONTAINED IN THIS DRAWING IS THE SOLE PROPERTY OF APSCO Inc.. ANY REPRODUCTION IN PART OR AS A WHOLE WITHOUT WRITTEN PERMISSION OF APSCO Inc. IS PROHIBITED.	SURFACE TEXTURE OR BETTER MATERIAL N/A FINISH N/A	
TITLE: CYL 4 X 20 DA 16 BR PK MUF		DWG. NO. C-7421-PK-M
SIZE B DRAWN JUMPER DATE 03/05/2013 CLASS		
F/N: C-7000 SERIES		REV A SHT. 2 OF 2