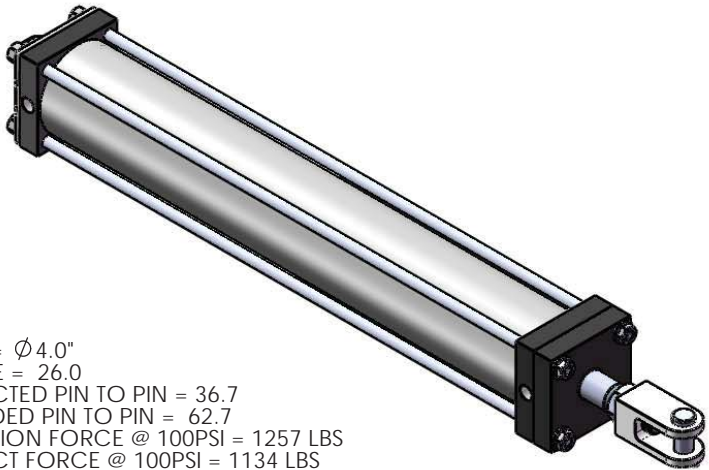
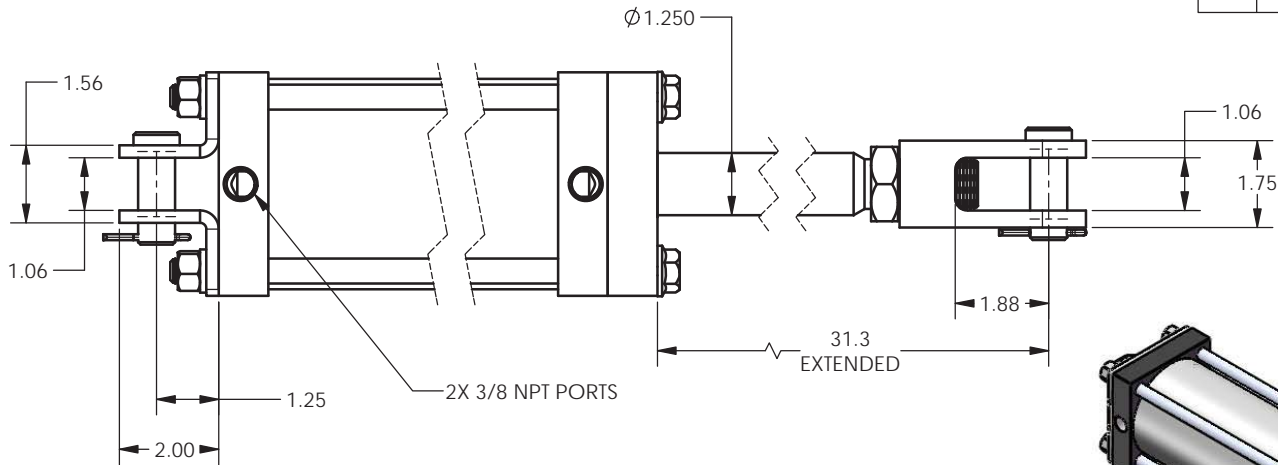
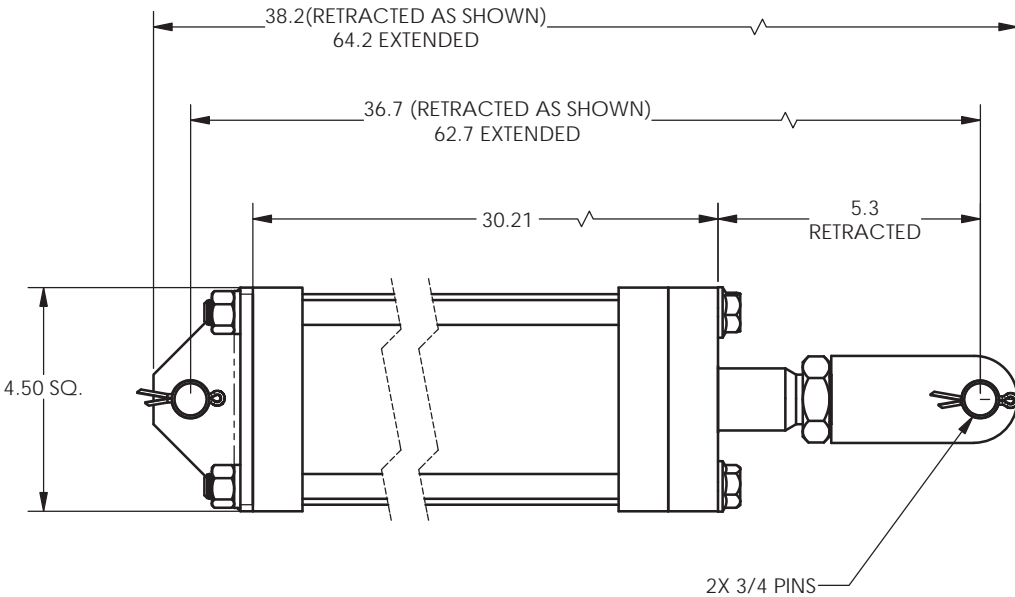


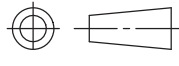

REVISIONS				
ECR	REV.	DESCRIPTION	DATE	CHG BY
E2139	A	See Sheet1	05/03/2013	JUMPER



NOTES:
 BORE = $\phi 4.0"$
 STROKE = 26.0
 RETRACTED PIN TO PIN = 36.7
 EXTENDED PIN TO PIN = 62.7
 EXTENSION FORCE @ 100PSI = 1257 LBS
 RETRACT FORCE @ 100PSI = 1134 LBS

PORTS ON TOP



TYPE OF PROJECTION  THIRD ANGLE PROJECTION	DO NOT SCALE DRAWING UNLESS OTHERWISE SPECIFIED DIMENSIONS ARE IN INCHES TOLERANCES ARE: DECIMALS .X = ± 0.03 .XX = ± 0.10 .XXX = ± 0.005 FRACTION = ± 0.015 ANGLES = $\pm 1/2^\circ$	 8178 EAST 44TH STREET TULSA, OK 74145
PROPRIETARY AND CONFIDENTIAL THE INFORMATION CONTAINED IN THIS DRAWING IS THE SOLE PROPERTY OF APSCO Inc.. ANY REPRODUCTION IN PART OR AS A WHOLE WITHOUT WRITTEN PERMISSION OF APSCO Inc. IS PROHIBITED.	SURFACE TEXTURE OR BETTER MATERIAL N/A FINISH N/A	TITLE: CYL 4 X 26 DA 16 BR DWG. NO. C-7426-PK REV A SIZE B DRAWN JUMPER DATE 03/05/2013 CLASS F/N: C-7000 SERIES SHT. 2 OF 2