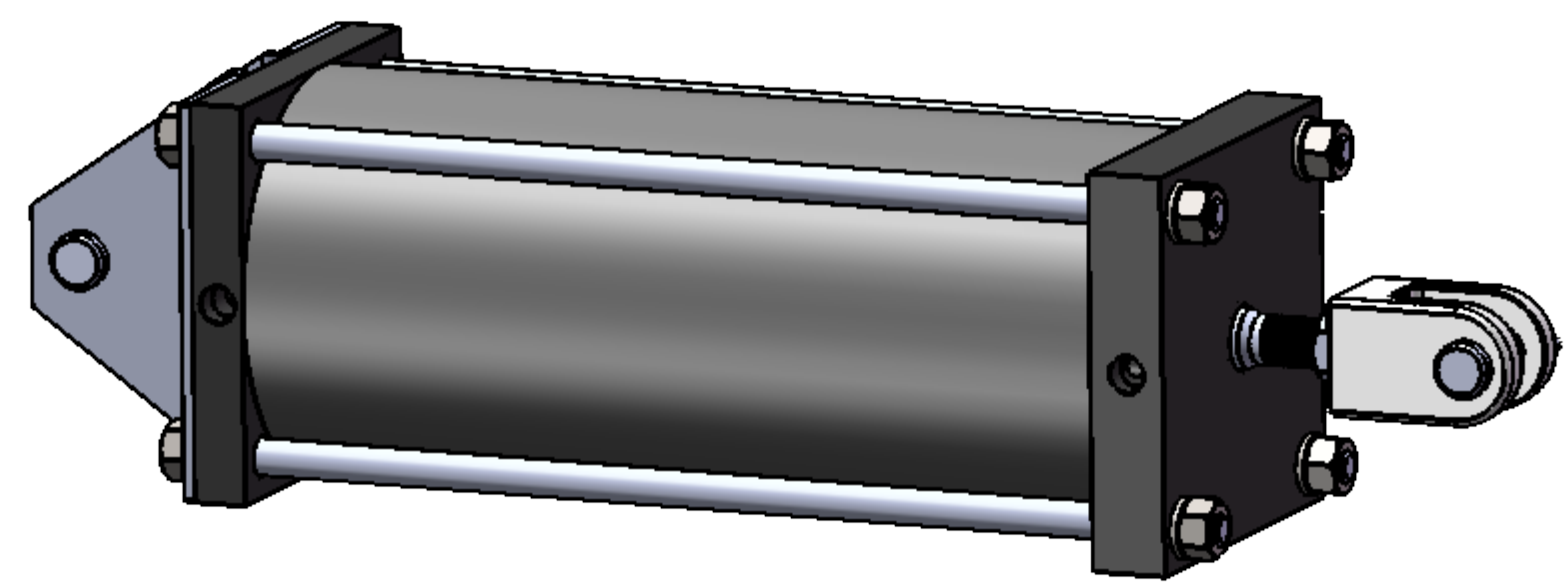
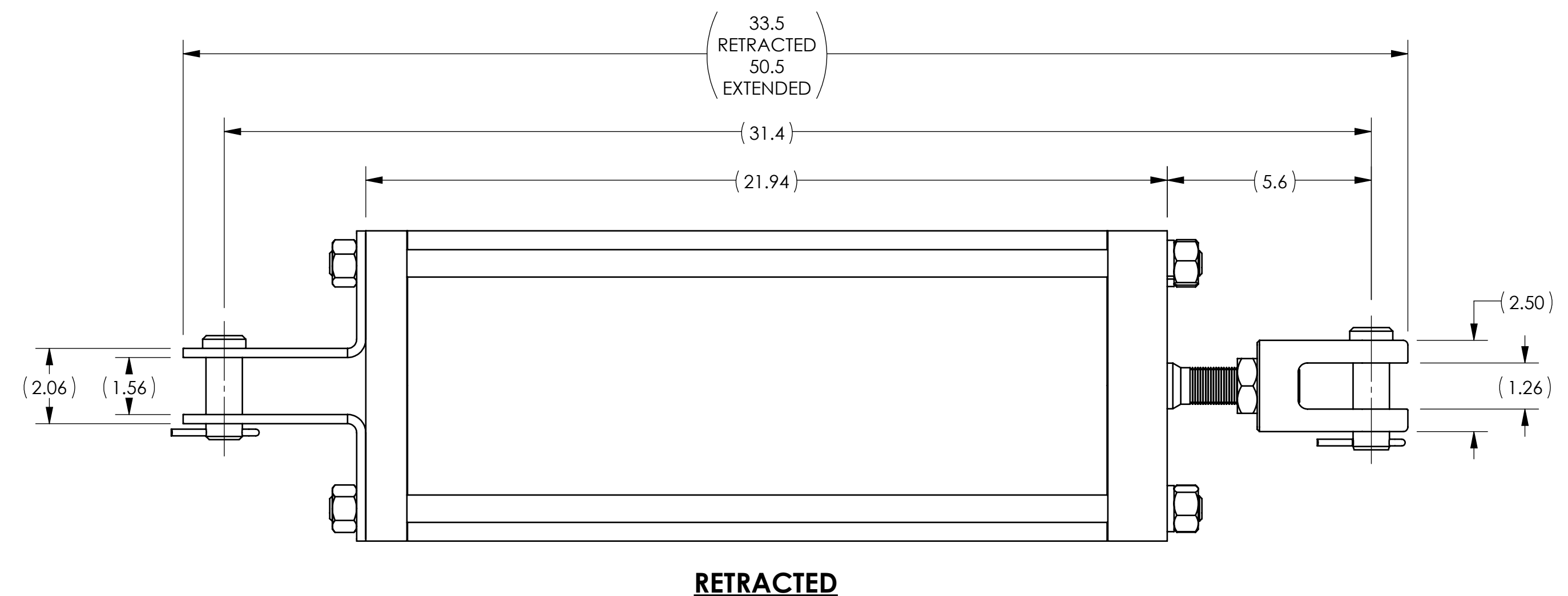
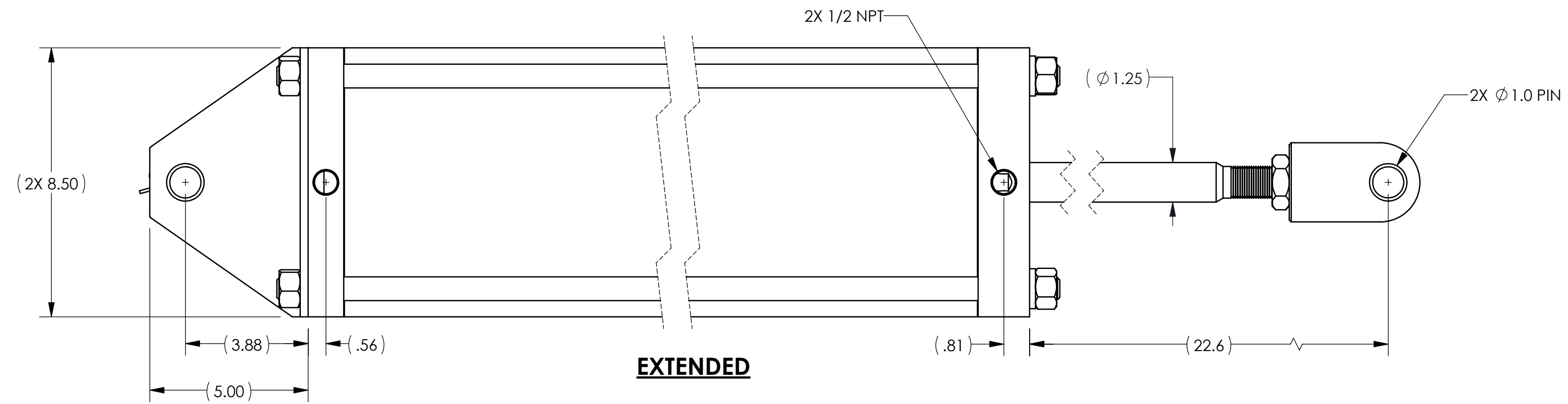


REVISIONS					
ECR	REVISION	DESCRIPTION	CHANGED BY	DATE	APPROVED BY
3355	D	3.88 WAS 3.63, RELOCATE WASHER 2860	RR	4/5/2017	FH



**PROPRIETARY AND CONFIDENTIAL**  
 THE INFORMATION CONTAINED IN THIS DRAWING IS THE SOLE PROPERTY OF APSCO Inc.. ANY REPRODUCTION IN PART OR AS A WHOLE WITHOUT WRITTEN PERMISSION OF APSCO Inc. IS PROHIBITED.

TYPE OF PROJECTION		MATERIAL
THIRD ANGLE PROJECTION		N/A
DRAWN	DATE	FINISH
RR	4/5/2017	
CHECKED	DATE	N/A
FP	4/5/2017	
APPROVED	DATE	
FH	4/5/2017	
FINAL	DATE	
FH	4/5/2017	

**APSCO**  
 8178 EAST 44TH STREET  
 TULSA, OK 74145  
 (918) 622-5600

TITLE: CYL 8 X 17 DA 16 BR PK 1 COMP

DWG. NO. C-9817-C-PK-1

<b>ASSEMBLY TOLERANCE</b> DO NOT SCALE DRAWING APEN001	SHEET SIZE <b>C</b>	SCALE <b>1:3</b>	REVISION <b>D</b>
--	------------------------	---------------------	----------------------

F/N: C-9817-C-PK-1 SHT. 2 OF 2