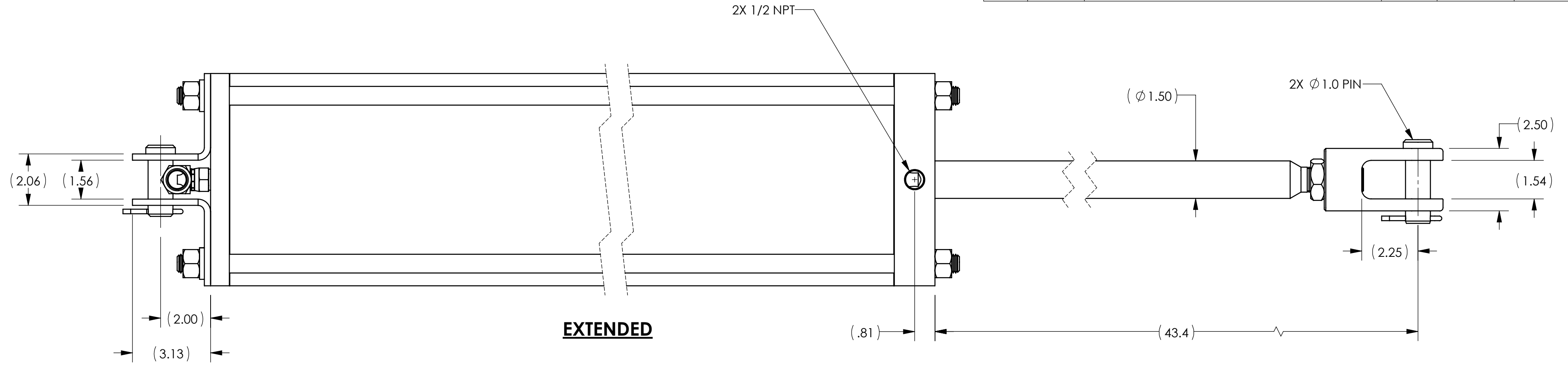
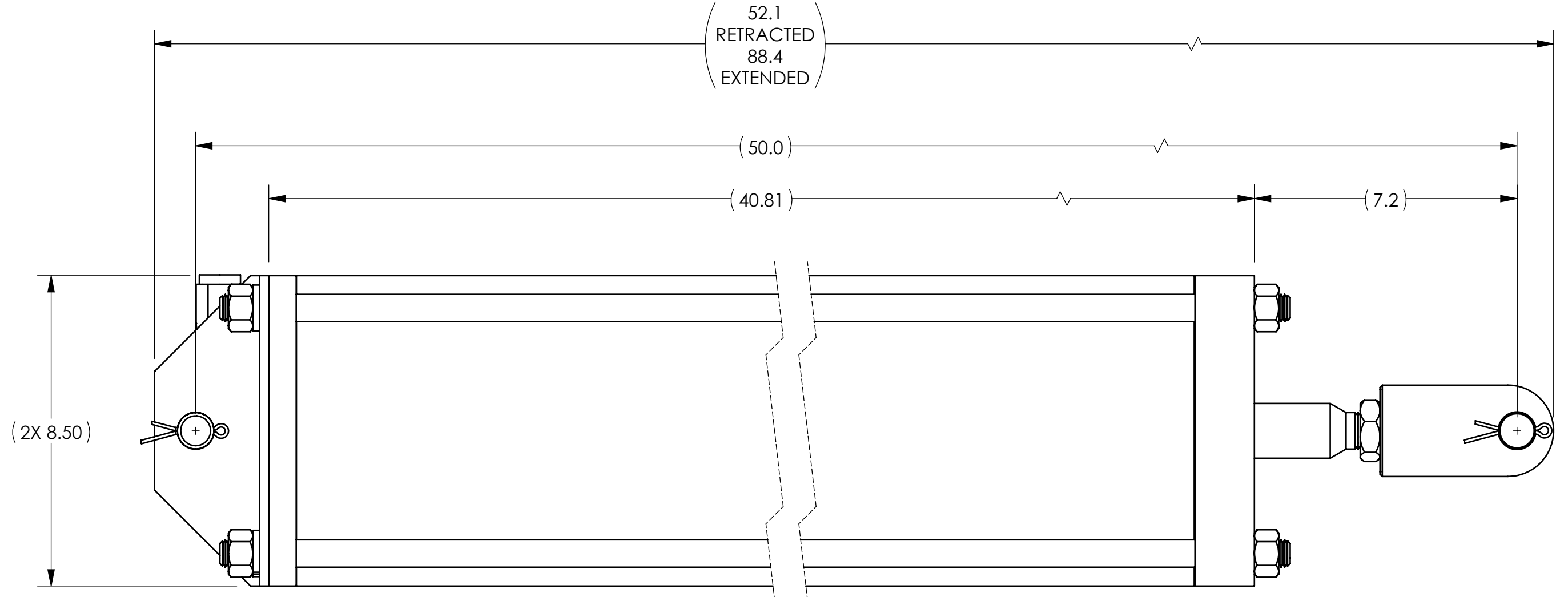


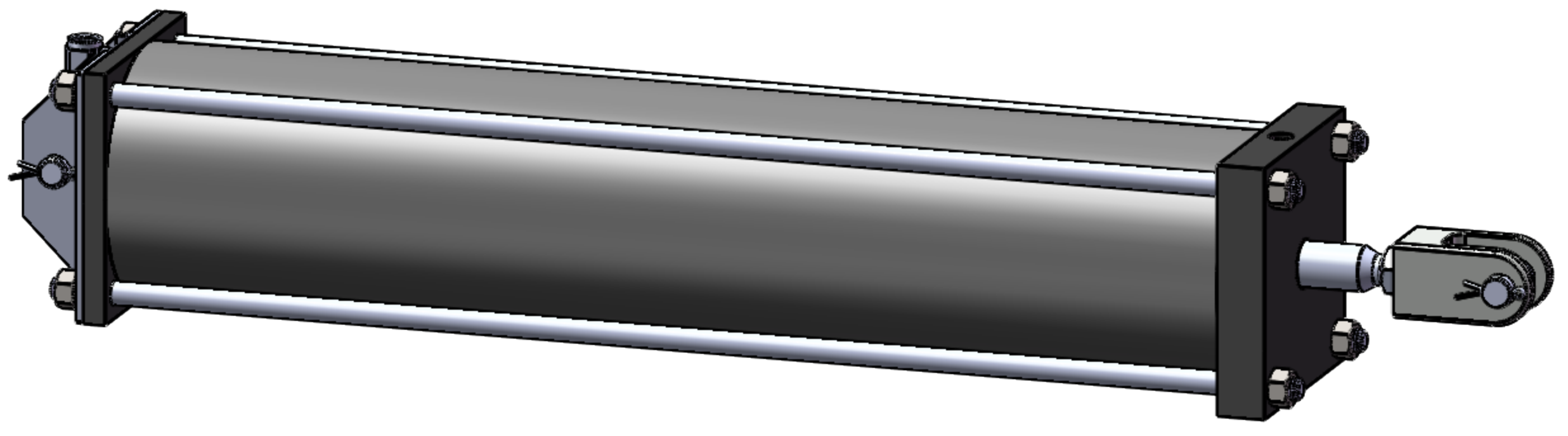
REVISIONS					
ECR	REVISION	DESCRIPTION	CHANGED BY	DATE	APPROVED BY
3707	A	NEW RELEASE	RR	3/18/2019	RT



EXTENDED



RETRACTED



PROPRIETARY AND CONFIDENTIAL
 THE INFORMATION CONTAINED IN THIS DRAWING IS THE SOLE PROPERTY OF APSCO Inc.. ANY REPRODUCTION IN PART OR AS A WHOLE WITHOUT WRITTEN PERMISSION OF APSCO Inc. IS PROHIBITED.

TYPE OF PROJECTION		MATERIAL
THIRD ANGLE PROJECTION		N/A
DRAWN	DATE	FINISH
RR	3/18/2019	
CHECKED	DATE	
CB	3/18/2019	
APPROVED	DATE	N/A
RT	3/18/2019	
FINAL	DATE	
KT	3/18/2019	

APSCO
 8178 EAST 44TH STREET
 TULSA, OK 74145
 (918) 622-5600

TITLE:
CYL 8 X 36.25 DA 16 BR PK 1 COMP

UNLESS OTHERWISE SPECIFIED
 DIMENSIONS ARE IN INCHES
 TOLERANCES ARE:

DECIMALS	SURFACE FINISH: 63	DWG. NO.
.X = ±.06	ANGLES ± 2°	C-9836-C-PK-1
.XX = ±.03	HOLES ± .005	SHEET SIZE
.XXX = ±.010	HOLES LOCATION ± .005	C
DO NOT SCALE DRAWING		SCALE
		1:3
		REVISION
		A

F/N: C-9836-C-PK-1