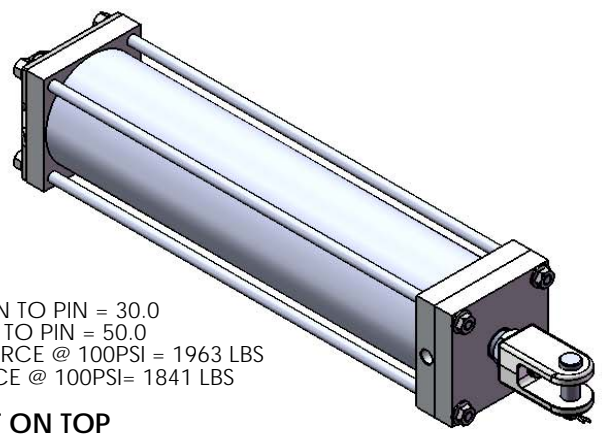
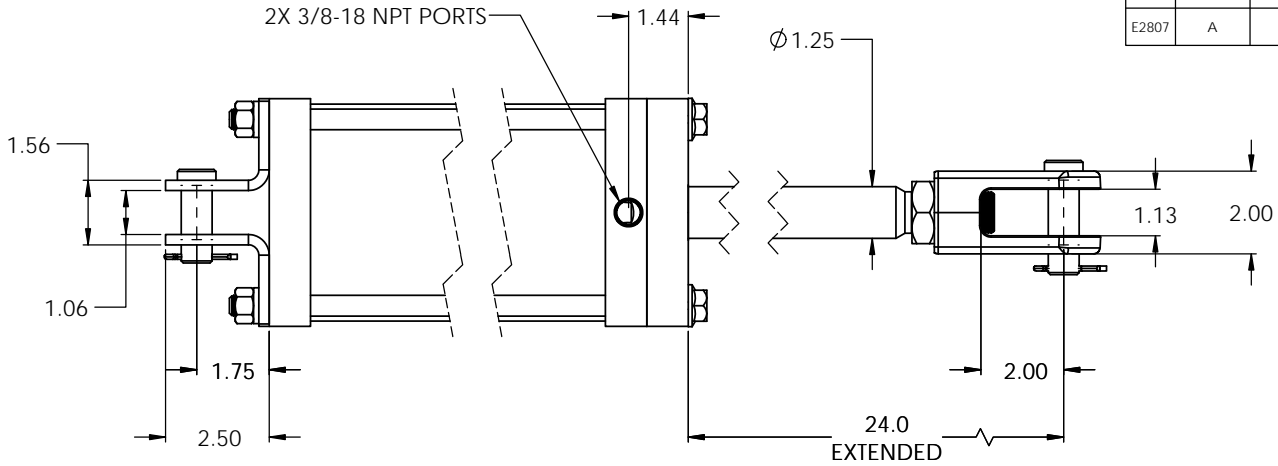


8 7 6 5

REVISIONS				
ECR	REV.	DESCRIPTION	DATE	CHG BY
E2017	-	See Sheet1	02/18/2013	JUMPER
E2807	A	See Sheet1	06/22/2015	RR

D

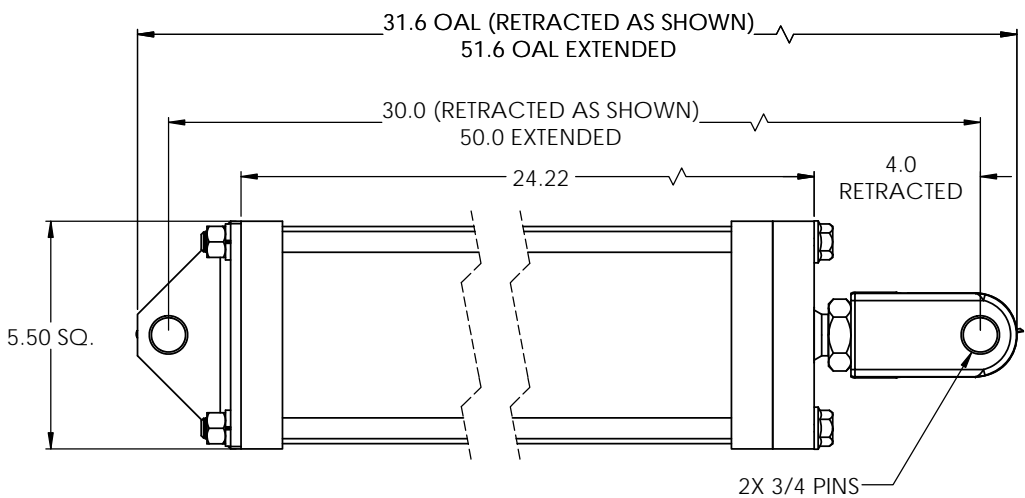


NOTES:

- BORE = $\varnothing 5.0"$
- STROKE = 20.0
- RETRACTED PIN TO PIN = 30.0
- EXTENDED PIN TO PIN = 50.0
- EXTENSION FORCE @ 100PSI = 1963 LBS
- RETRACT FORCE @ 100PSI = 1841 LBS

FRONT PORT ON TOP
REAR PORT ON BOTTOM

B



<p>ASSEMBLY DO NOT SCALE DRAWING UNLESS OTHERWISE SPECIFIED DIMENSIONS ARE IN INCHES TOLERANCES ARE:</p> <p>X = ±.06 .XX = ±.03 .XXX = ±.010</p> <p>ANGLES = ±2°</p> <p>63 SURFACE TEXTURE OR BETTER</p> <p>TYPE OF PROJECTION</p> <p>THIRD ANGLE PROJECTION</p> <p>SHEET SIZE B</p>	<p>PROPRIETARY AND CONFIDENTIAL THE INFORMATION CONTAINED IN THIS DRAWING IS THE SOLE PROPERTY OF APSCO Inc.. ANY REPRODUCTION IN PART OR AS A WHOLE WITHOUT WRITTEN PERMISSION OF APSCO Inc. IS PROHIBITED.</p> <p>DRAWN JUMPER DATE 06/22/2015</p> <p>CHECKED FP DATE 06/22/2015</p> <p>APPROVED FH DATE 06/22/2015</p> <p>FINAL FH DATE 06/22/2015</p>	<p>TITLE: CYL 5 X 20 DA 16 BR AL PK</p>	
		<p>DWG. NO. C-8020-A-PK</p>	
		MATERIAL	FINISH
		N/A	N/A
		<p>8175 EAST 44TH STREET TULSA, OK 74145</p>	
		REV	A
		F/N: C-8020-A-PK	SHT. 2 OF 2

8 7 6 5 4

3 2 1

A

A