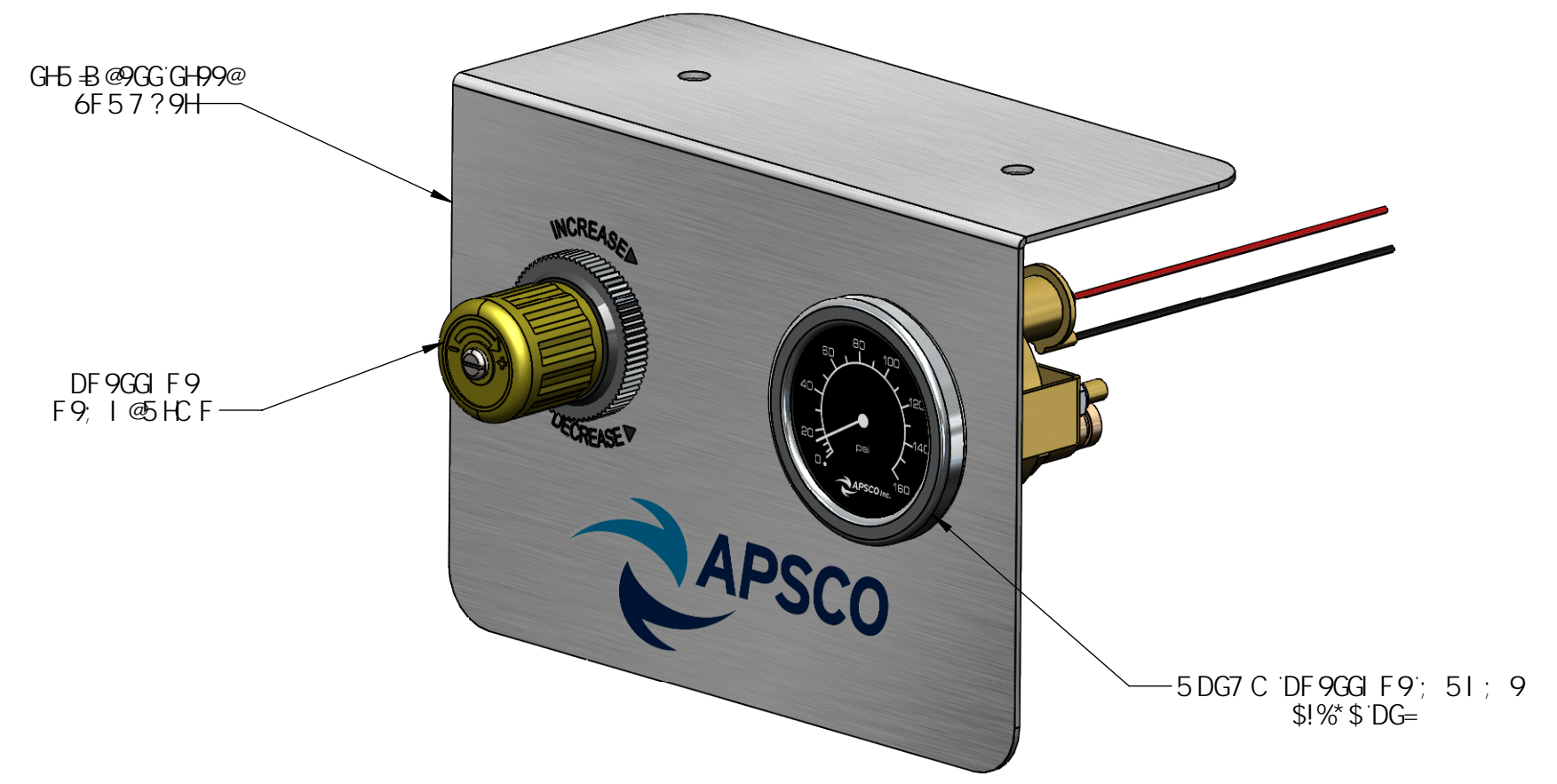
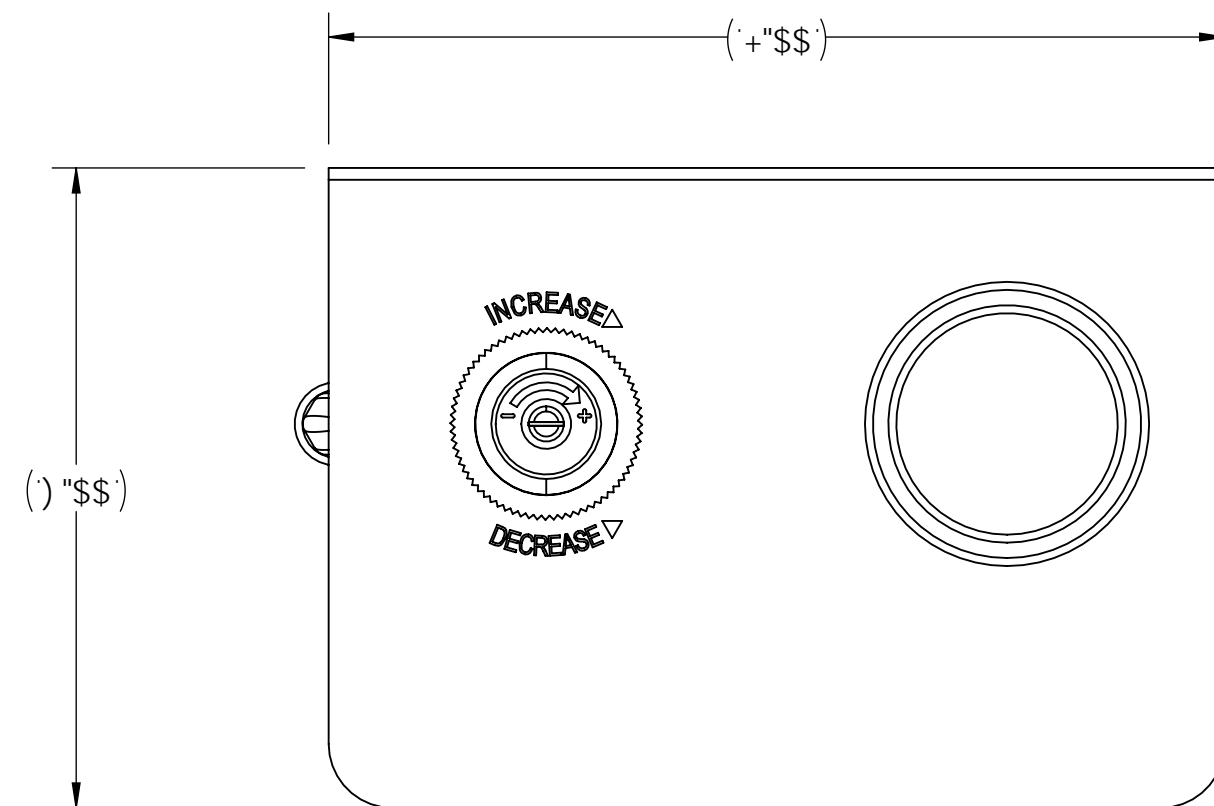
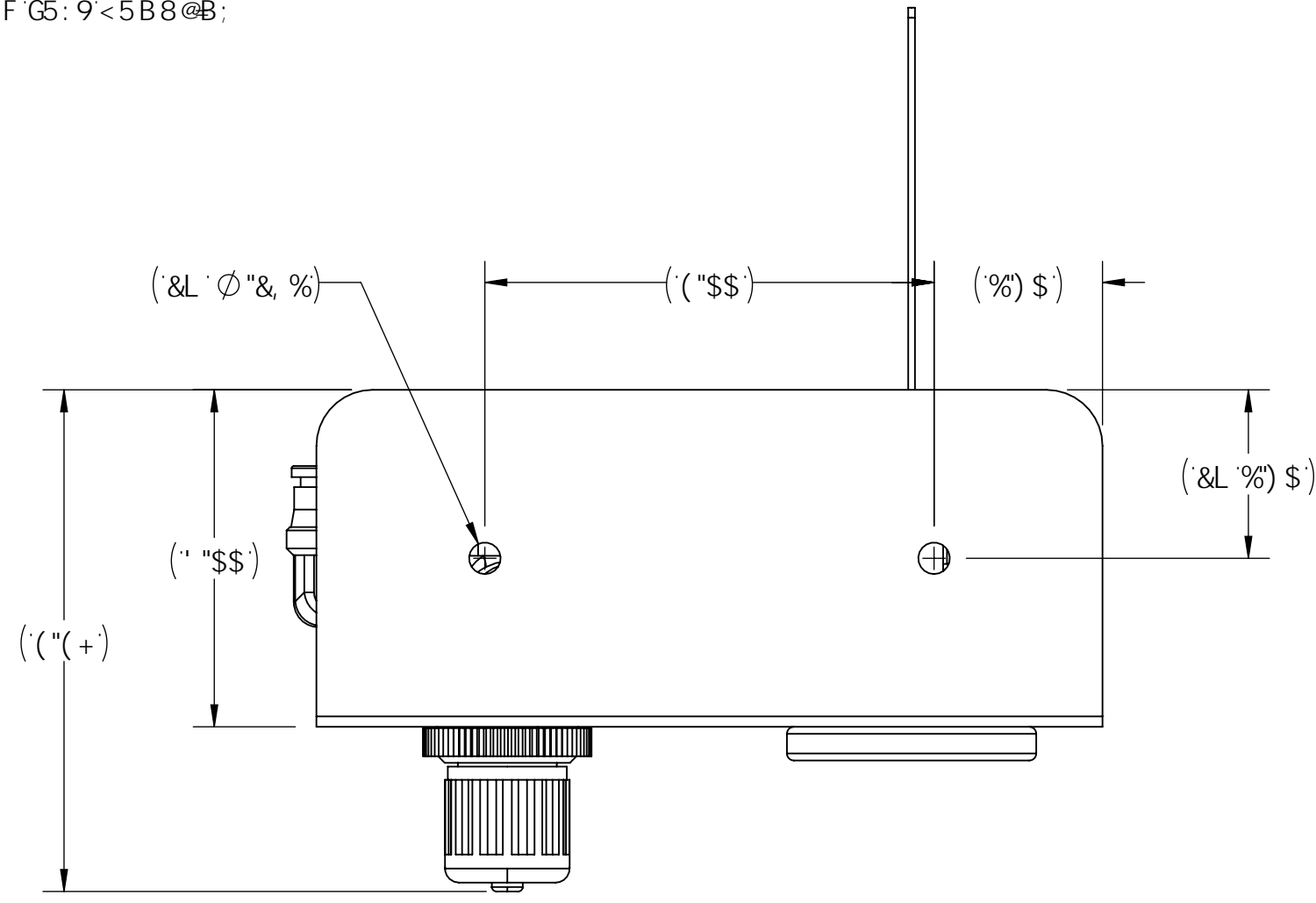


BC HPG fl B @GGC H: 9FK -G9 GD97 = 98L
 % 6F95? 5 @G< 5FD 98; 9G
 & F9A C J 95 @6l FFG: C F G5: 9< 5B8 @B;



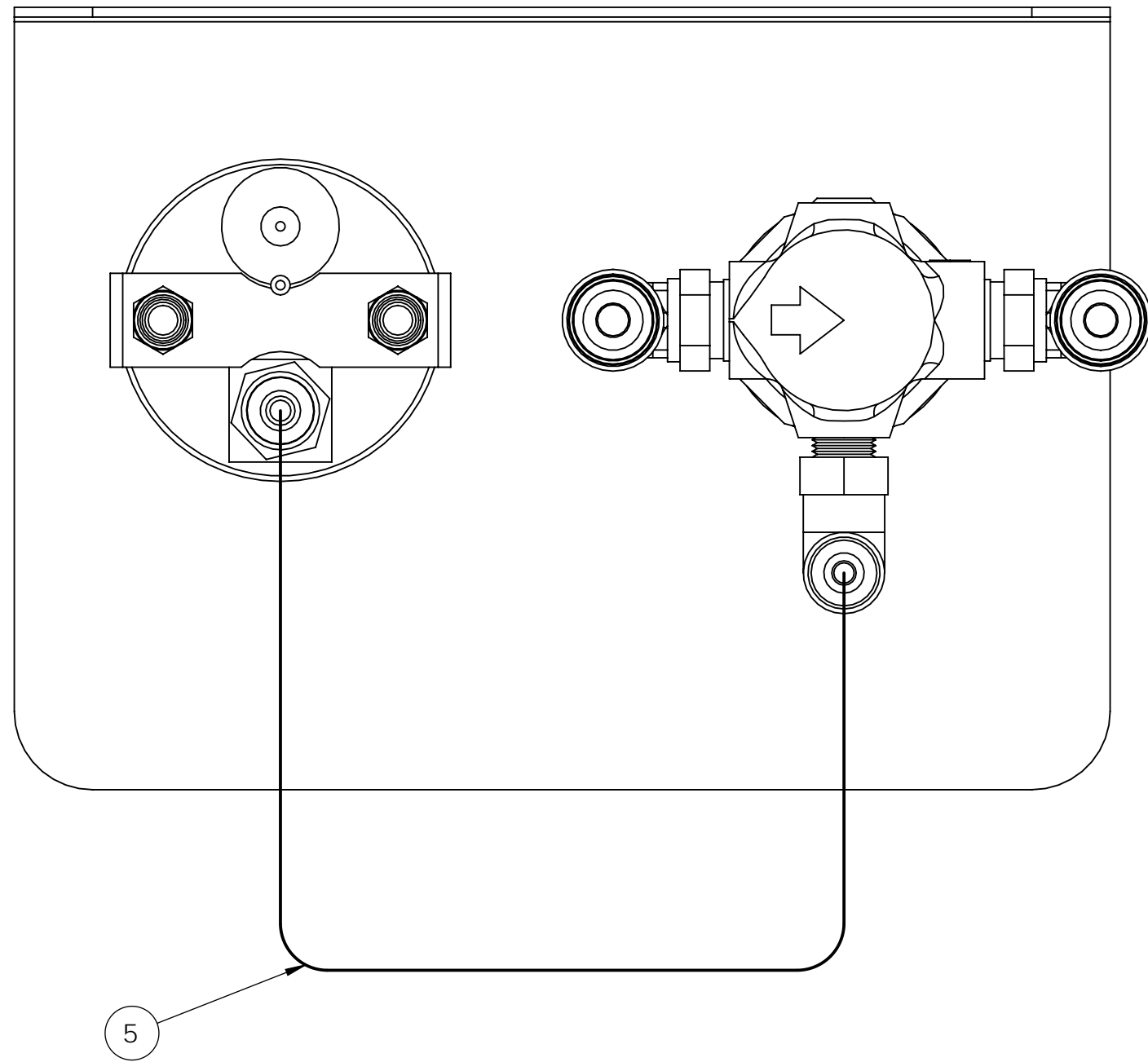
F9J -G-CBG					
97 F	F9J GC B	89G7 F-0HC B	7<5B: 98 6M	85H9	5DDFC J 98 6M
(, ')	6	7 CB! ' K 5G7 CB! ' 5!; 9B9F 7	FF	- #&&#&\$%+	: <

DFCDF-9H5FM5B8 7CB: -89BH5 @ VP O P Q U T C E W P A U P V G B C O A P Q U O C Y P Q A W P O A U U S O A U U U O U V Y A U O S D G 7 C W A L B Y A U O U U O W O N P A A U O E U A U A E A E A Y P U S O A Q P U W A Y U Q V O P A U O U T W U P A U O A 5 D G 7 C W A U U U P Q Q O O E	
HM9C: DFC >97 HC B H: F8 5B: @9 DFC >97 HC B	A 5HF 5@ B #5
8F5K B >7	85H9 * #&- #&\$%+
7<97798 : D	85H9 * #&- #&\$%+
5DDFC J 98 : <	85H9 * #&- #&\$%+
: 85@ : <	85H9 * #&- #&\$%+

5 DG7 C
 ,%, '95 GH((H< GHF99H
 HI @S ZC? +(%)
 ft % L* &@) * \$\$

HH99: 7 C BGC @ZHK F8 '5L @9			
8K ; " BC " 7 C B!'			
5CG9A 6@MHC @F5B79 8C BCHG7 5@98F5K B: 5D9B \$\$%	G< 99HG A9 Ô	G7 5 @9 GKH	F9J -G-C B 6
: #B: 7 C B!'			G<H %C : '

F9J GCBG						
97 F	F9J GCB	89G7 F-DHC B		7<5B: 98 6M	85HP	5DDFCJ 98 6M
' (, '	6	7 CB!' K 5G7 CB!' 5!; 9B9F 7		FF	- #&&#&\$%+	: <



@HDF	D5 FHB I A 69F	@B; Hk	I B #G	E HM	8 9G7 F-DHC B	
5	%+\$+	-	B7 < 9G	%	H 69%#('8C H6@57?	
DFCDF 9H5 FM5 B8 7 CB: 89BH5 @ <small>VPO@OU T CEWP/OU P VCE@OAP/OU CEY Q QW/A/P OA UU SOAUUUOU VVYAU @5 DG7 C -WALB YAUUUO WOV P A A UCEVAUUA@EJAY PUSOAY QP UWA' UQVOP AUOUT QUWP AU@A 5 DG7 C -WVAU UUP @QOQE</small>						
 H: #B 5B: @9 DFC >97 HCB		A 5HF 5@		B #5		
8F5K B	>7	85HP	* #&- #&\$%+	HH@9: 7 C BGC @ZHK F8 '5L @9		
7<97 798	: D	85HP	* #&- #&\$%+	8K ; "BC" 7 C B!'		
5DDFCJ 98	: <	85HP	* #&- #&\$%+	5G9A 6@MHC @F5B79 G<99HC@9 G7 5 @9 F9J GCB		
: 85@	: <	85HP	* #&- #&\$%+	8C BCHG7 5 @9 8F5K B: 5D9B\$\$\$ Ô FK 6		
				: #B. 7 CB!' G<H' C: "		