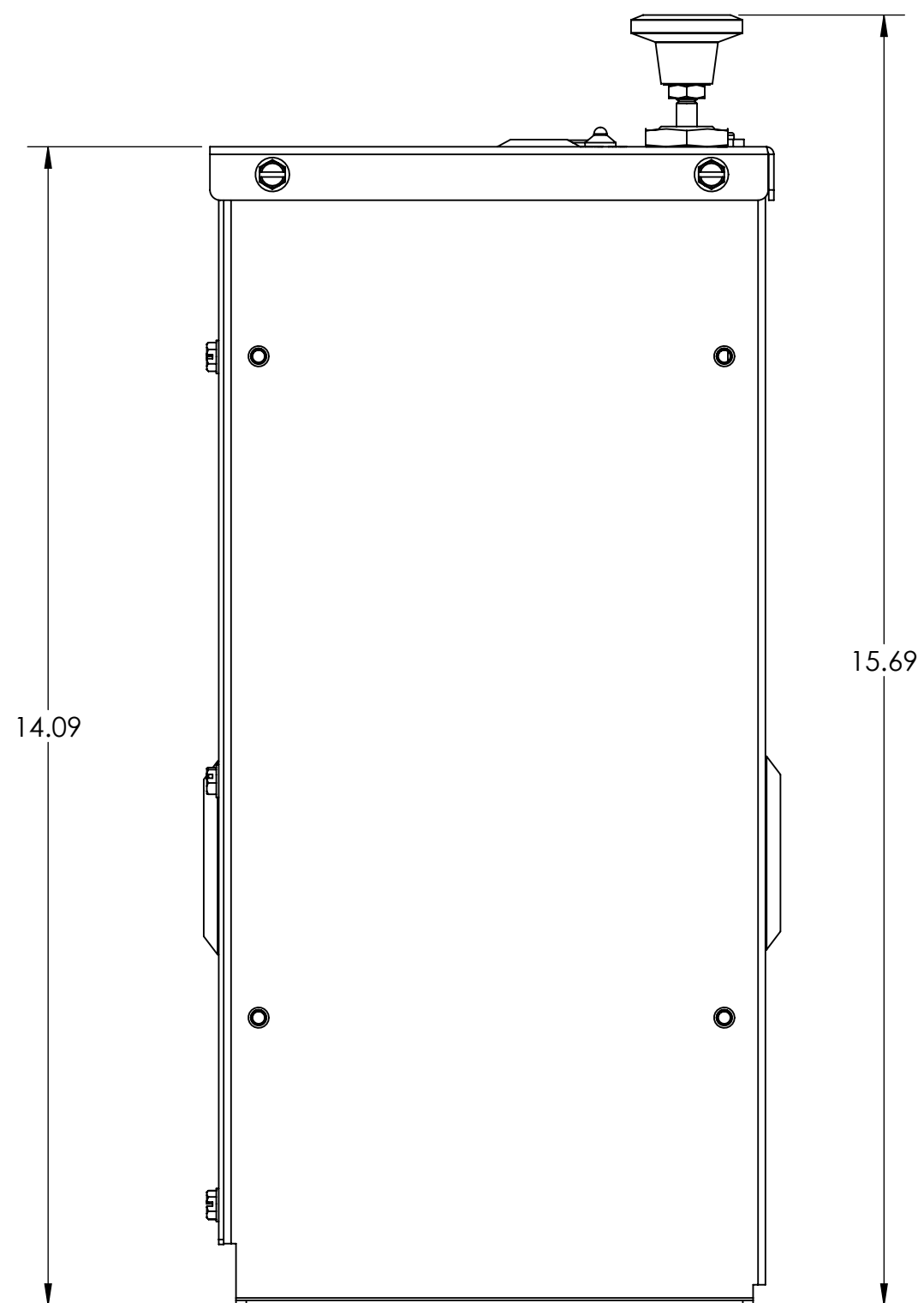
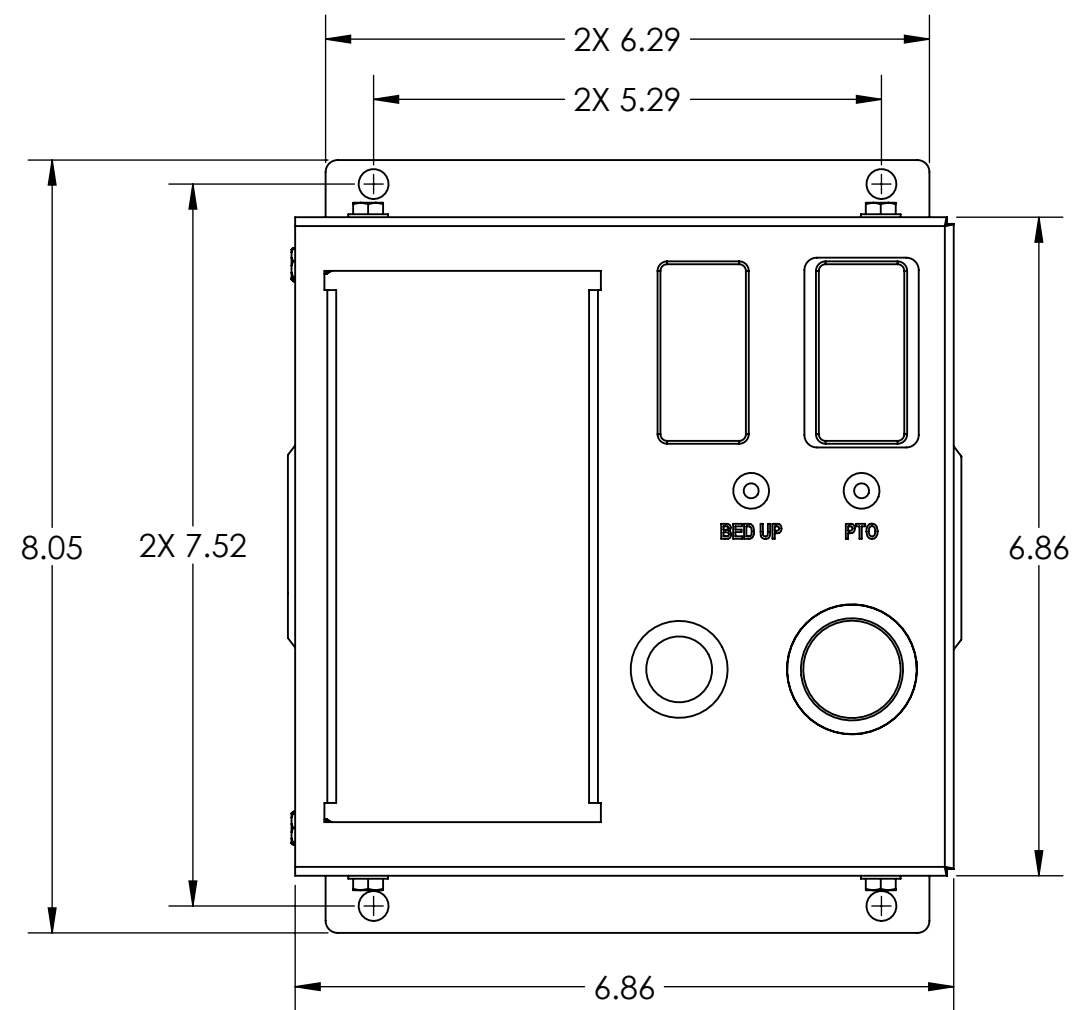
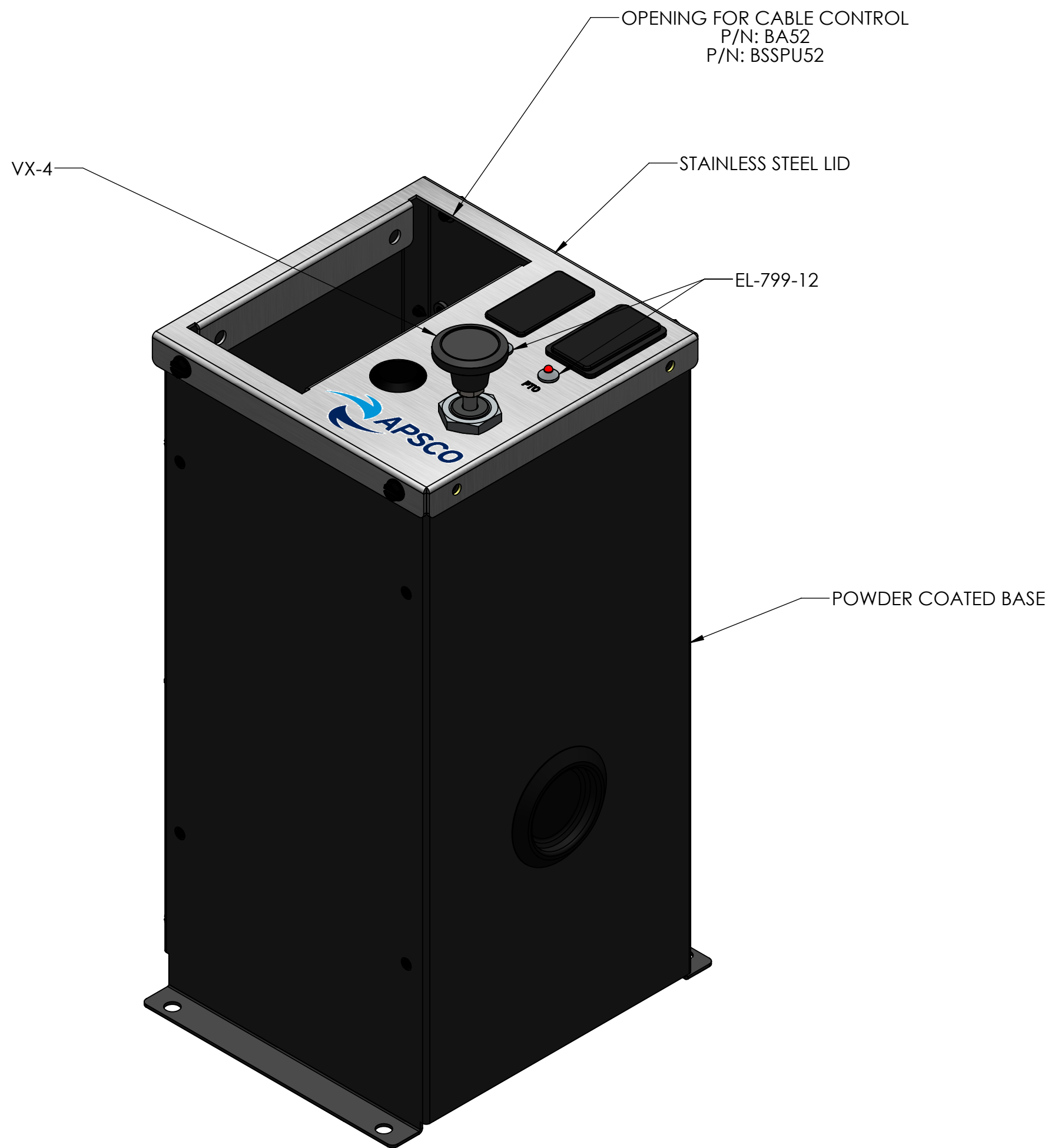




NOTES (UNLESS OTHERWISE SPECIFIED)  
 1. BREAK ALL SHARP EDGES  
 2. REMOVE ALL BURRS FOR SAFE HANDLING



REVISIONS					
ECR	REVISION	DESCRIPTION	CHANGED BY	DATE	APPROVED BY
3812	A	NEW RELEASE	VD	05/22/2020	RT



<p><b>PROPRIETARY AND CONFIDENTIAL</b>          THE INFORMATION CONTAINED IN THIS DRAWING IS THE SOLE PROPERTY OF APSCO Inc.. ANY REPRODUCTION IN PART OR AS A WHOLE WITHOUT WRITTEN PERMISSION OF APSCO Inc. IS PROHIBITED.</p>		 <p><b>APSCO</b>          8178 EAST 44TH STREET          TULSA, OK 74145          (918) 622-5600</p>	
<p>TYPE OF PROJECTION            THIRD ANGLE PROJECTION</p>		<p>MATERIAL          N/A</p>	
<p>DRAWN          RD          DATE          05/22/2020</p>		<p>FINISH          N/A</p>	
<p>CHECKED          RR          DATE          05/22/2020</p>		<p>UNLESS OTHERWISE SPECIFIED          DIMENSIONS ARE IN INCHES          TOLERANCES ARE:          DECIMALS .X = ±.06 SURFACE FINISH: 63          .XX = ±.03 ANGLES ± 2°          .XXX = ±.010 HOLES LOCATION ± .005          DO NOT SCALE DRAWING</p>	
<p>APPROVED          RT          DATE          05/22/2020</p>		<p>DWG. NO.  <b>CONV-APS-20</b></p>	
<p>FINAL          RT          DATE          05/22/2020</p>		<p>SHEET SIZE SCALE REVISION  <b>C 1:2 A</b></p>	
<p>F/N: CONV-APS-20</p>		<p>SHT. 1 OF 2</p>	