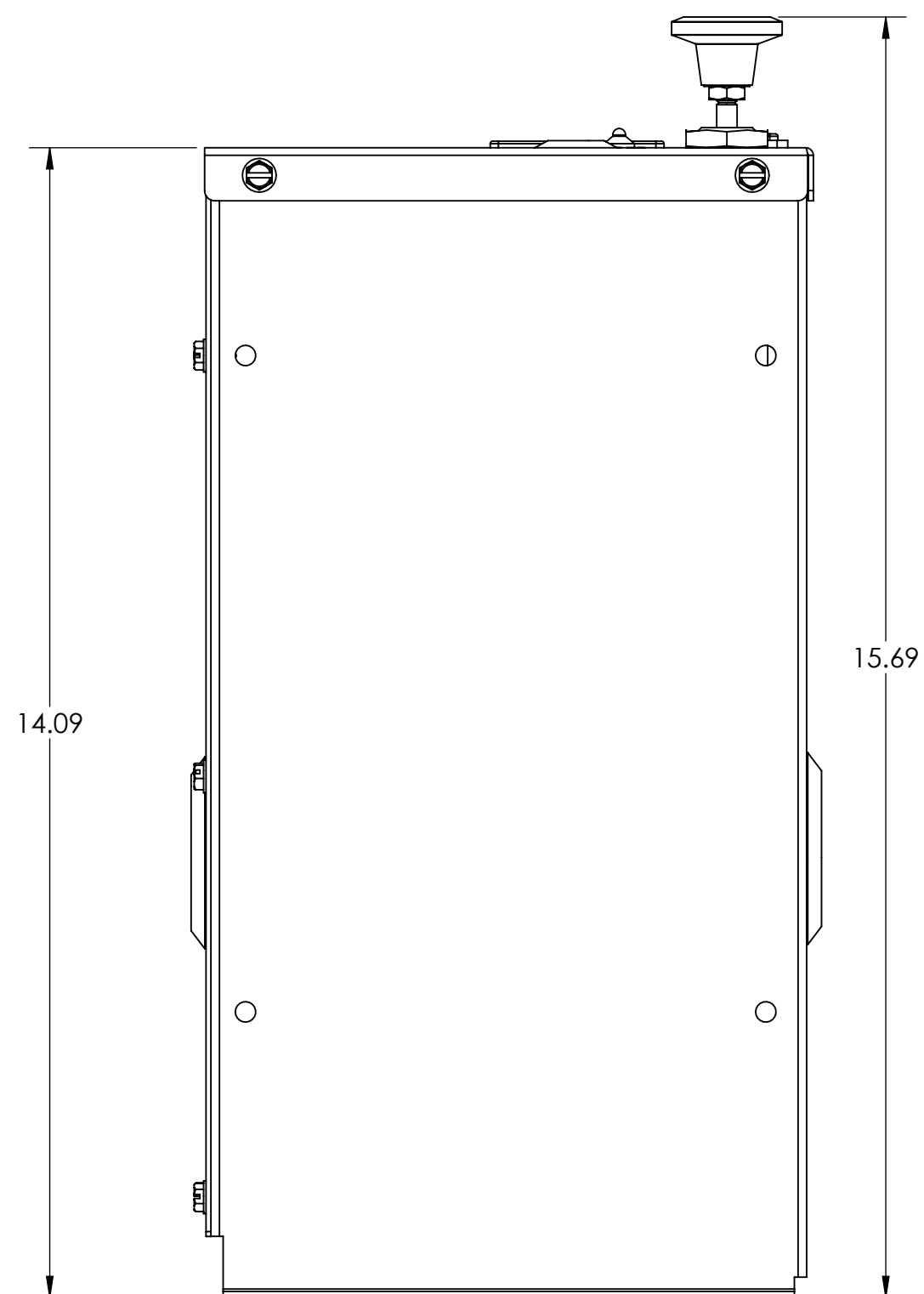
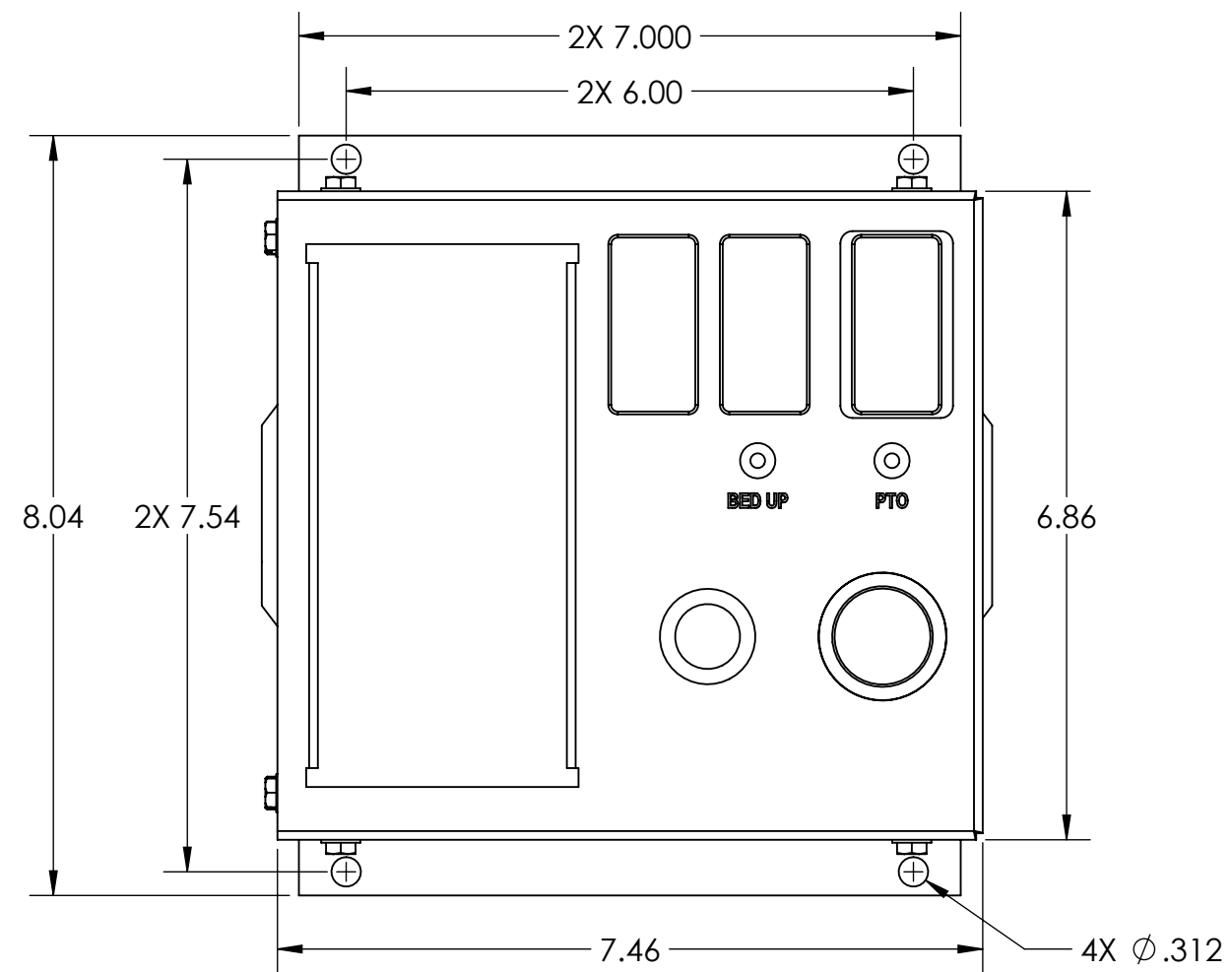
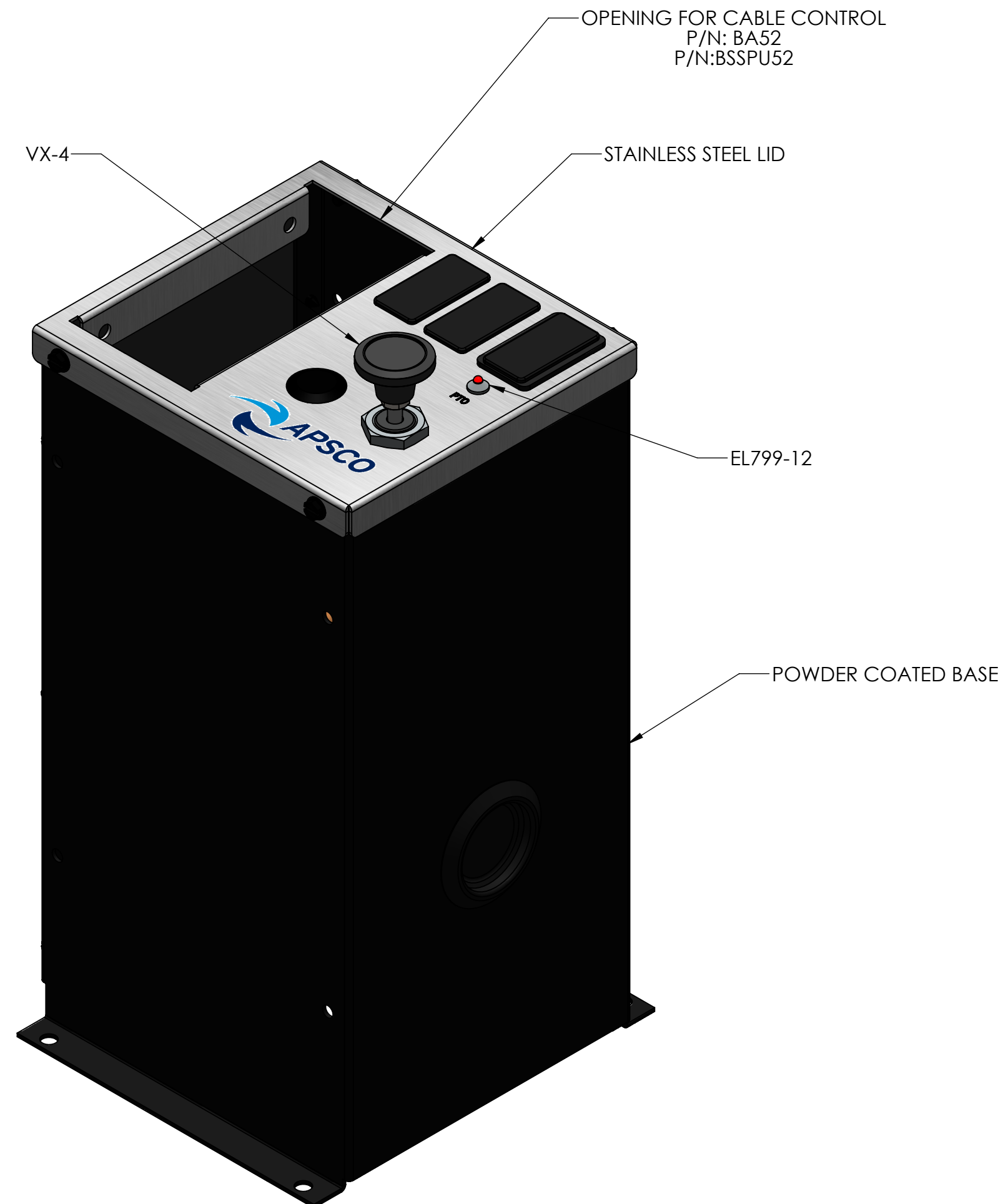


NOTES (UNLESS OTHERWISE SPECIFIED)  
 1. BREAK ALL SHARP EDGES  
 2. REMOVE ALL BURRS FOR SAFE HANDLING



REVISIONS					
ECR	REVISION	DESCRIPTION	CHANGED BY	DATE	APPROVED BY
3817	A	NEW RELEASE	VD	07/13/2020	RT



**PROPRIETARY AND CONFIDENTIAL**  
 THE INFORMATION CONTAINED IN THIS DRAWING IS THE SOLE PROPERTY OF APSCO Inc.. ANY REPRODUCTION IN PART OR AS A WHOLE WITHOUT WRITTEN PERMISSION OF APSCO Inc. IS PROHIBITED.

TYPE OF PROJECTION		MATERIAL
THIRD ANGLE PROJECTION		N/A
DRAWN	DATE	FINISH
RD	07/13/2020	
CHECKED	DATE	
RR	07/13/2020	
APPROVED	DATE	N/A
RT	07/13/2020	
FINAL	DATE	
RT	07/13/2020	

**APSCO**  
 8178 EAST 44TH STREET  
 TULSA, OK 74145  
 (918) 622-5600

TITLE: CONSOLE,APSCO-21

UNLESS OTHERWISE SPECIFIED  
 DIMENSIONS ARE IN INCHES  
 TOLERANCES ARE:

DECIMALS	SURFACE FINISH: 63	DWG. NO.
.X = ±.06	ANGLES ± 2°	CONV-APS-21
.XX = ±.03	HOLES ± .005	SHEET SIZE
.XXX = ±.010	HOLES LOCATION ± .005	SCALE
DO NOT SCALE DRAWING		REVISION
F/N: CONV-APS-21		<b>C</b>   <b>1:2</b>   <b>A</b>
		SHT. 1 OF 2