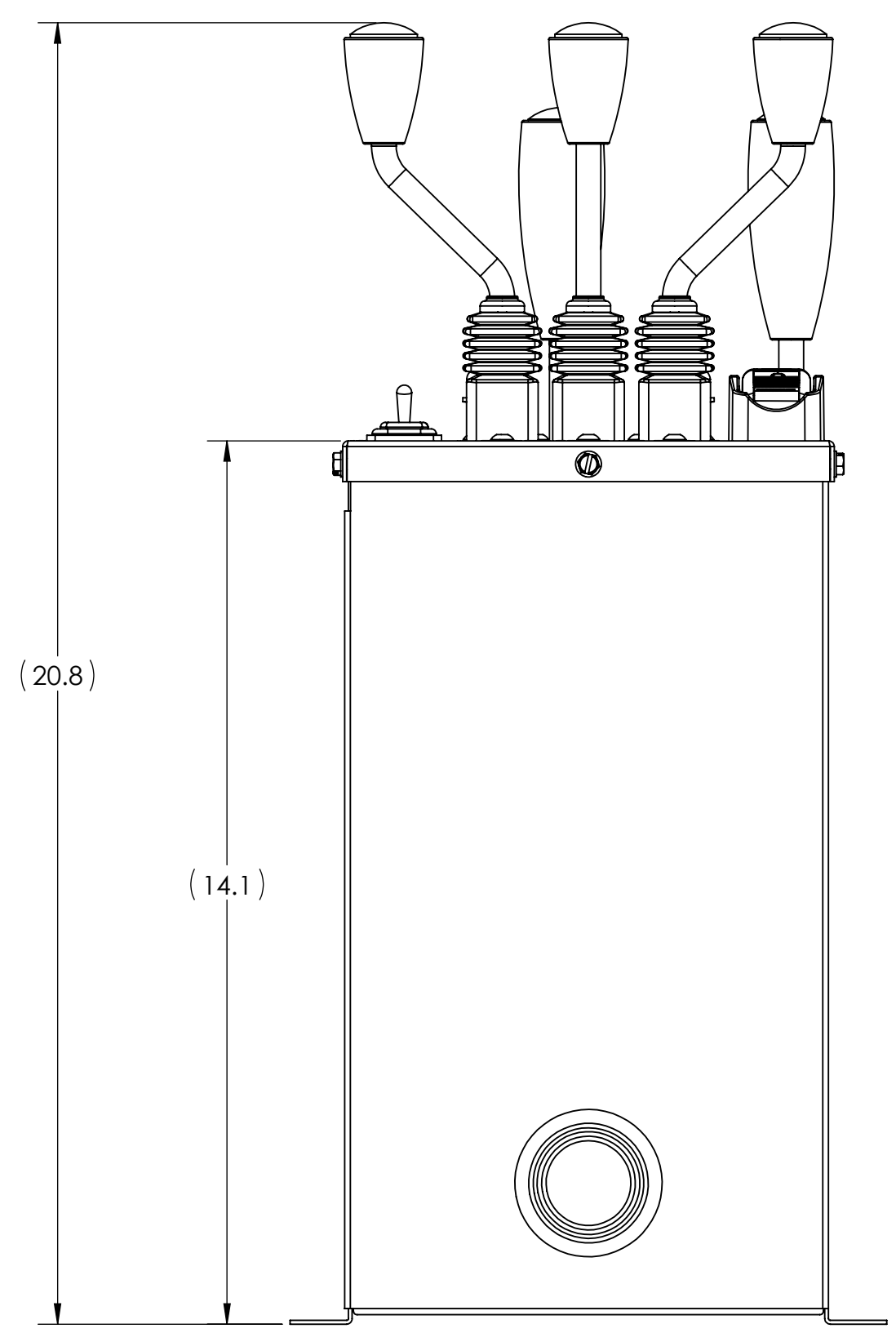
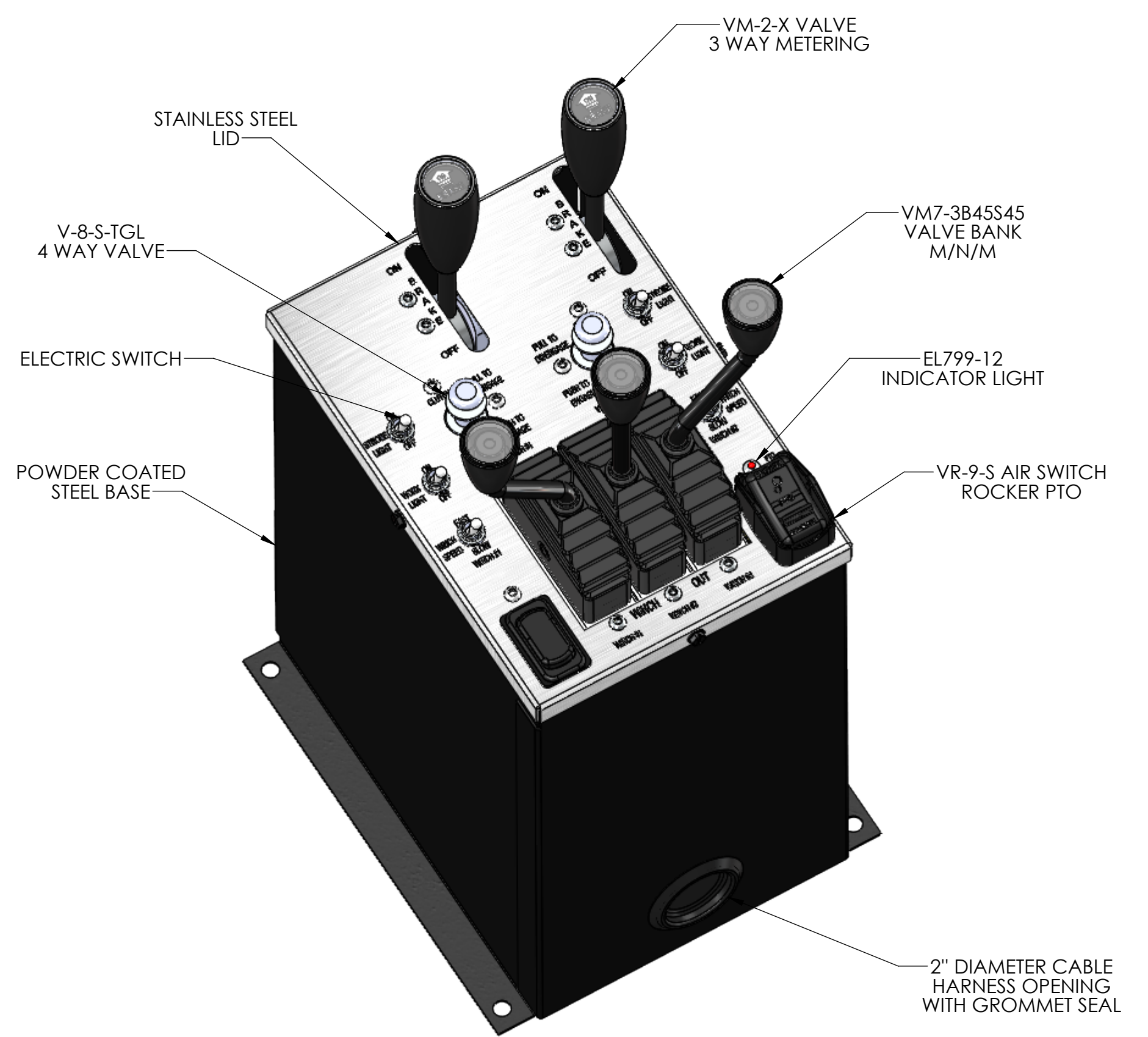
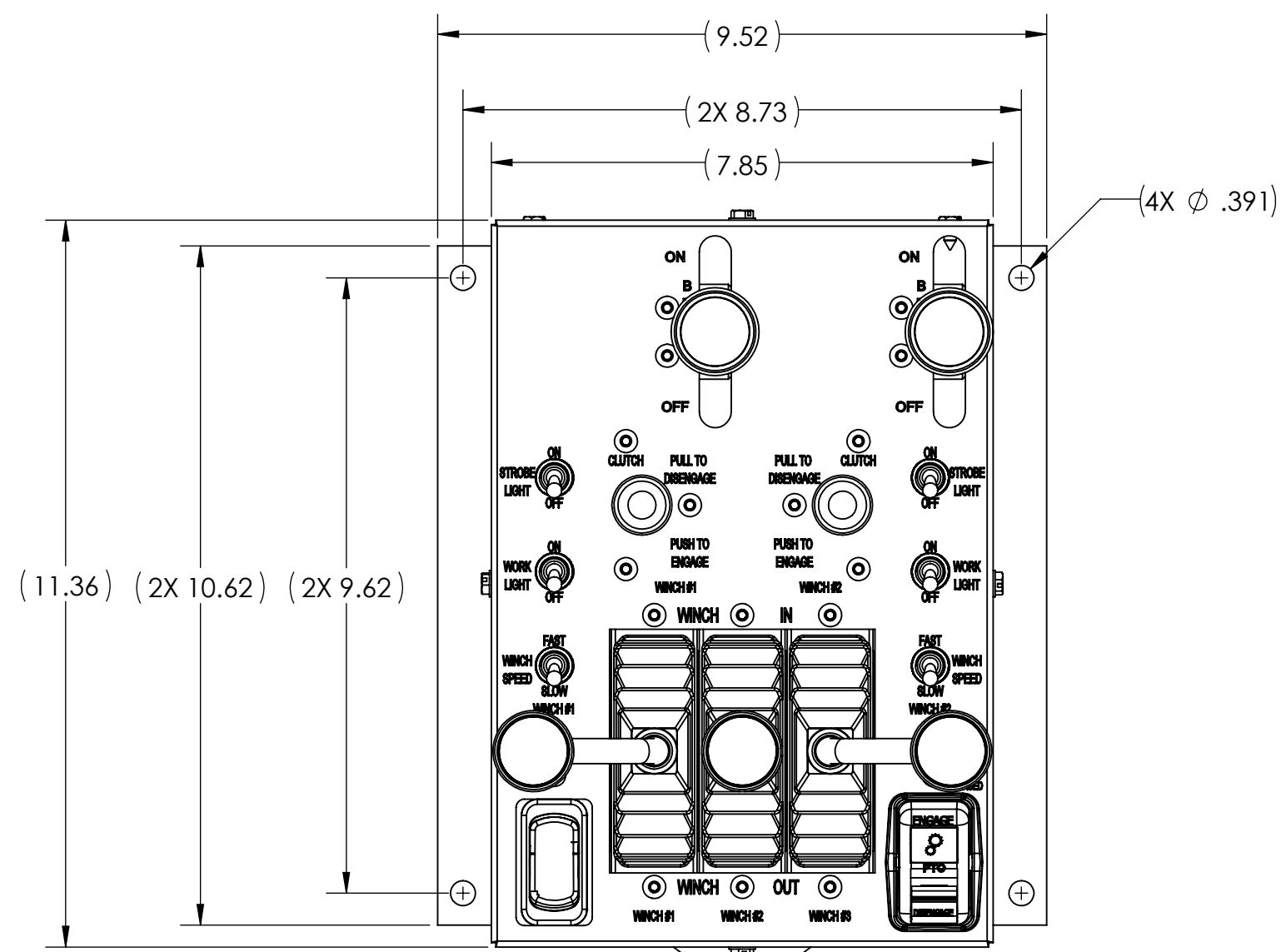


REVISIONS					
ECR	REVISION	DESCRIPTION	CHANGED BY	DATE	APPROVED BY
3631	A	NEW RELEASE	RR	6/28/2018	RT



**PROPRIETARY AND CONFIDENTIAL**  
THE INFORMATION CONTAINED IN THIS DRAWING IS THE SOLE PROPERTY OF APSCO Inc.. ANY REPRODUCTION IN PART OR AS A WHOLE WITHOUT WRITTEN PERMISSION OF APSCO Inc. IS PROHIBITED.

TYPE OF PROJECTION		MATERIAL
THIRD ANGLE PROJECTION		N/A
DRAWN	DATE	FINISH
RR	6/28/2018	
CHECKED	DATE	
CB	6/28/2018	
APPROVED	DATE	N/A
KT	6/28/2018	
FINAL	DATE	
RT	6/28/2018	

**APSCO**  
8178 EAST 44TH STREET  
TULSA, OK 74145  
(918) 622-5600

TITLE: **CONSOLE UNIVERSAL 23**

UNLESS OTHERWISE SPECIFIED DIMENSIONS ARE IN INCHES TOLERANCES ARE:

DECIMALS	SURFACE FINISH: 63	DWG. NO.
.X = ±.06	ANGLES ± 2°	<b>CONV-UNI-23</b>
.XX = ±.03	HOLES ± .005	SHEET SIZE
.XXX = ±.010	HOLES LOCATION ± .005	SCALE
DO NOT SCALE DRAWING		REVISION
		<b>C</b> <b>2:5</b> <b>A</b>

F/N: CONV-UNI-23      SHT. 1 OF 4