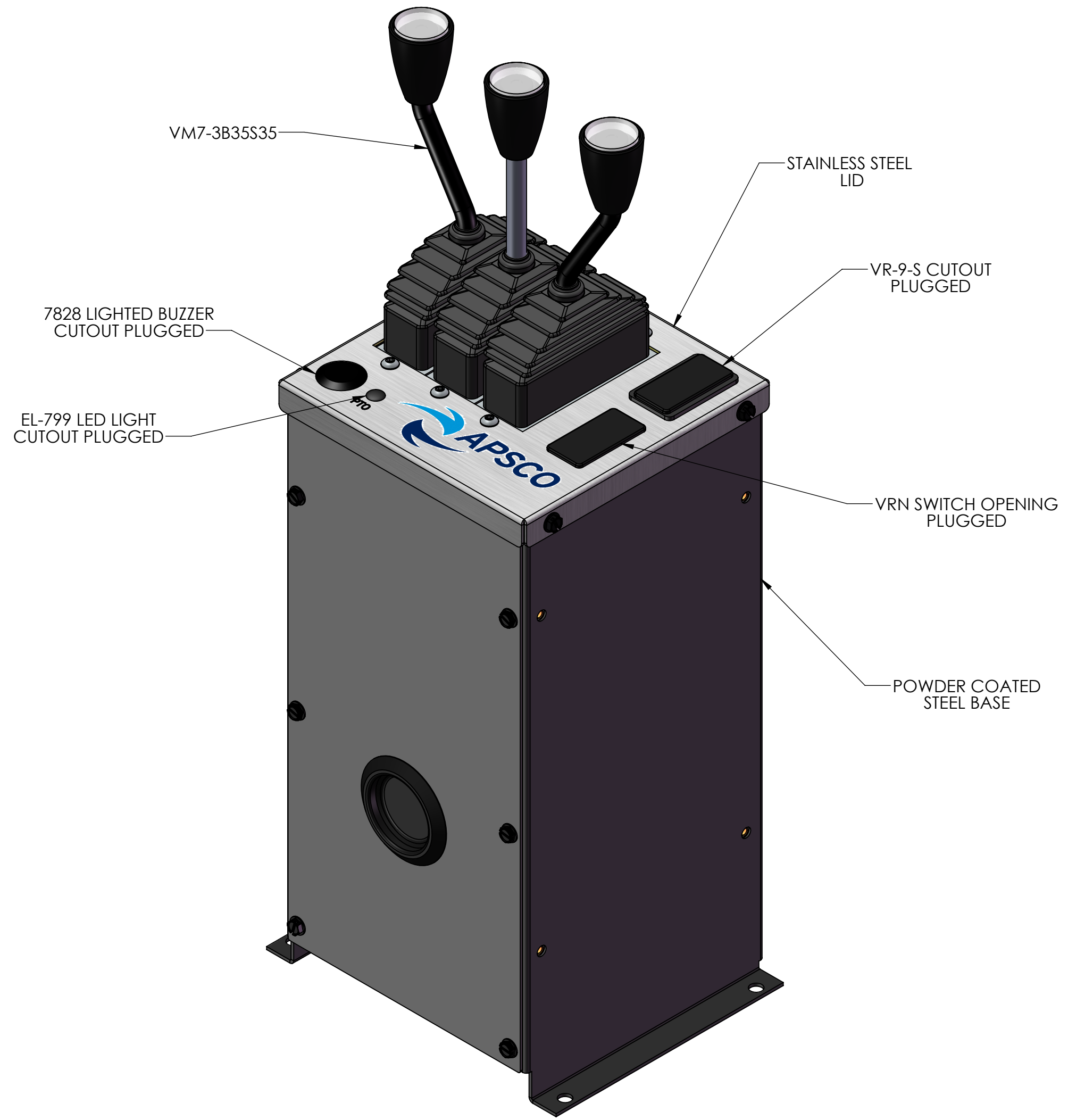
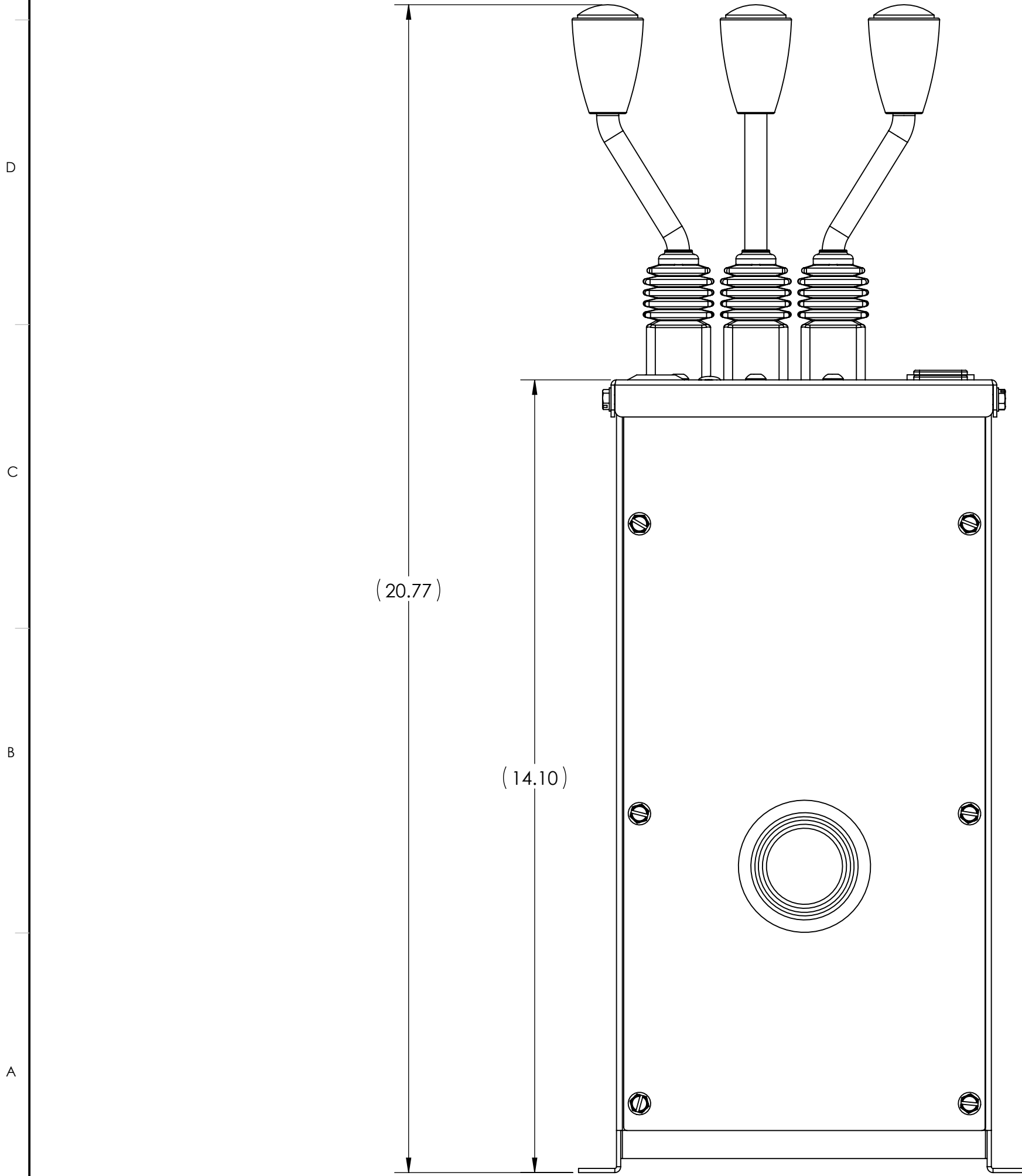
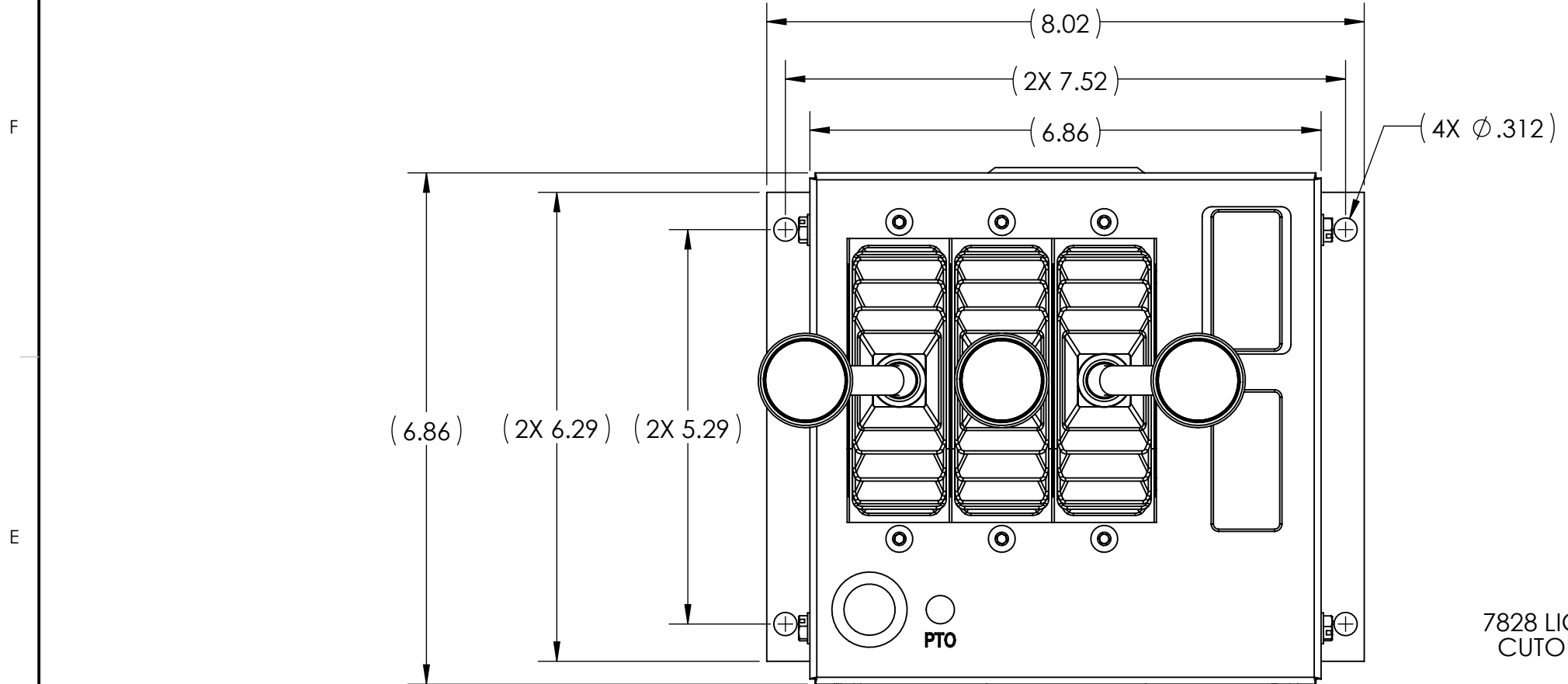


REVISIONS					
ECR	REVISION	DESCRIPTION	CHANGED BY	DATE	APPROVED BY
3973	A	INITIAL RELEASE	VD	10/01/2021	RT



PROPRIETARY AND CONFIDENTIAL
 THE INFORMATION CONTAINED IN THIS DRAWING IS THE SOLE PROPERTY OF APSCO Inc.. ANY REPRODUCTION IN PART OR AS A WHOLE WITHOUT WRITTEN PERMISSION OF APSCO Inc. IS PROHIBITED.

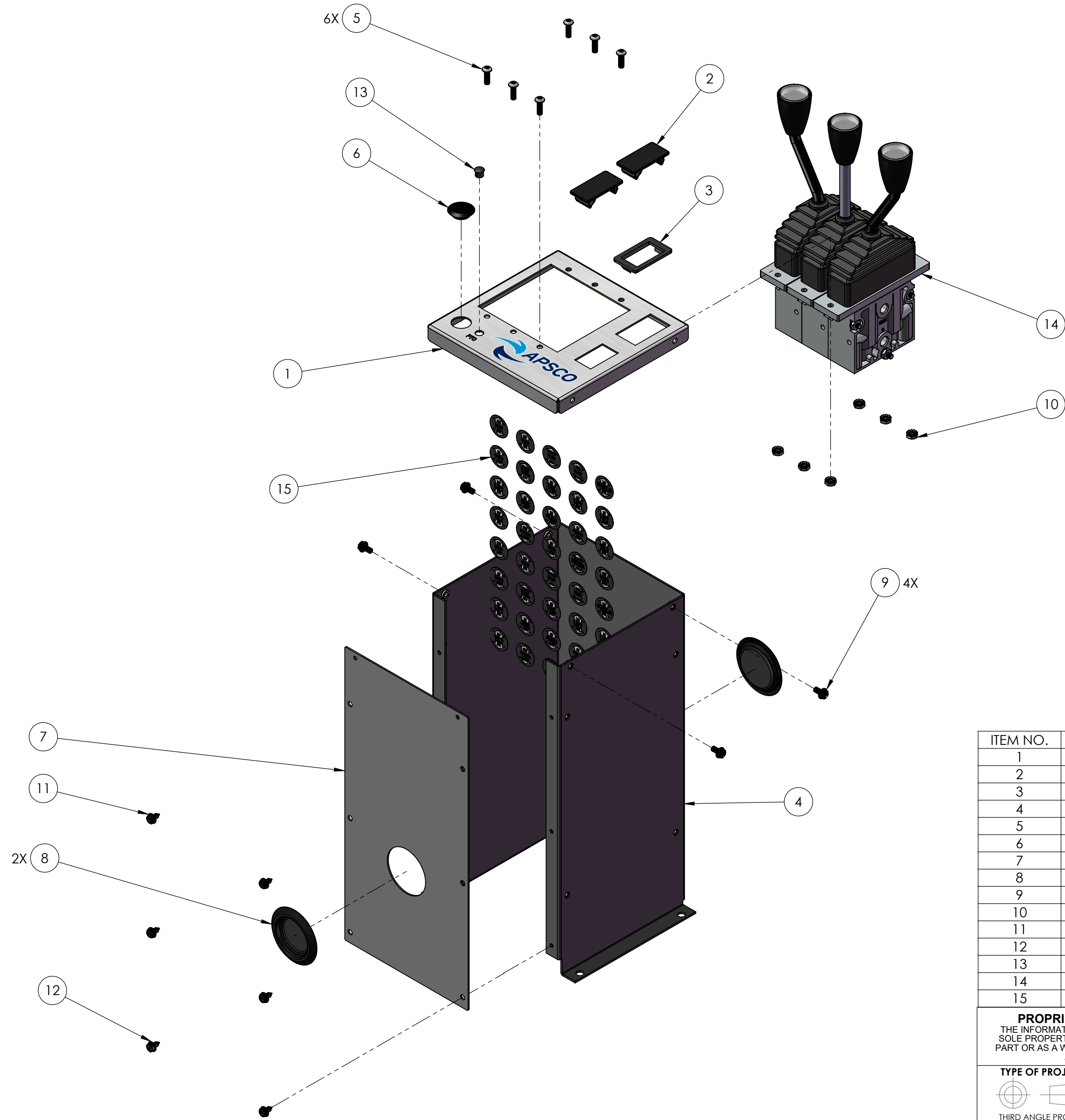
TYPE OF PROJECTION		MATERIAL
 THIRD ANGLE PROJECTION		N/A
DRAWN	DATE	FINISH
RD	10/01/2021	
CHECKED	DATE	
RR	10/01/2021	
APPROVED	DATE	N/A
RT	10/01/2021	
FINAL	DATE	
RT	10/01/2021	

APSCO
 8178 EAST 44TH STREET
 TULSA, OK 74145
 (918) 622-5600

TITLE: **CONSOLE UNIVERSAL 27**

UNLESS OTHERWISE SPECIFIED DIMENSIONS ARE IN INCHES TOLERANCES ARE:			DWG. NO. CONV-UNI-27		
DECIMALS	SURFACE FINISH: 63		SHEET SIZE	SCALE	REVISION
.X = ±.06	ANGLES ± 2°		C	1:2	A
.XX = ±.03	HOLES ± .005				
.XXX = ±.010	HOLES LOCATION ± .005				
DO NOT SCALE DRAWING					
F/N: CONV-UNI-27			SHT. 1 OF 2		

REVISIONS					
ECR	REVISION	DESCRIPTION	CHANGED BY	DATE	APPROVED BY
3973	A	INITIAL RELEASE	VD	10/01/2021	RT



ITEM NO.	PART NUMBER	DESCRIPTION	QTY.
1	8957	LID, CONV-UNI-27 & 28	1
2	4459	PANEL PLUG (TARP) 1.48 X .85	2
3	8250	ADAPTER FOR VRN	1
4	6890	CONSOLE BASE 6.7 X 6.7 X 14	1
5	5738	CAPS 10-32 X .63 BH SS	6
6	6348	CAPPLUG 3/4 FLAT HEAD	1
7	6586	PANEL 6.43 X 13.25	1
8	4418	CAPPLUG 1.9	2
9	4492	CAPS 10-32 X 3/8 HH	4
10	4313	NUT 10-32 NF HEX KEPS	6
11	4553	SCREW 10 X 3/8 HH SELF TAPPING	1
12	CONK-2	KIT, CONSOLE PANEL SCREWS	1
13	7463	CAPPLUG, FOR LID .31" BLANK HOLE	1
14	VM7-3B35S35	VALVE 3 BANK 35, STR, 35	1
15	8928	ROLL OFF LABEL SHEET	1

PROPRIETARY AND CONFIDENTIAL
 THE INFORMATION CONTAINED IN THIS DRAWING IS THE SOLE PROPERTY OF APSCO Inc.. ANY REPRODUCTION IN PART OR AS A WHOLE WITHOUT WRITTEN PERMISSION OF APSCO Inc. IS PROHIBITED.

APSCO
 8178 EAST 44TH STREET
 TULSA, OK 74145
 (918) 622-5600

TITLE: **CONSOLE UNIVERSAL 27**

UNLESS OTHERWISE SPECIFIED
 DIMENSIONS ARE IN INCHES
 TOLERANCES ARE:

DECIMALS	SURFACE FINISH: 63
.X = ±.06	ANGLES ± 2°
.XX = ±.03	HOLES ± .005
.XXX = ±.010	HOLES LOCATION ± .005

DO NOT SCALE DRAWING

DWG. NO. **CONV-UNI-27**

SHEET SIZE	SCALE	REVISION
C	1:3	A

F/N: CONV-UNI-27 SHT. 2 OF 2