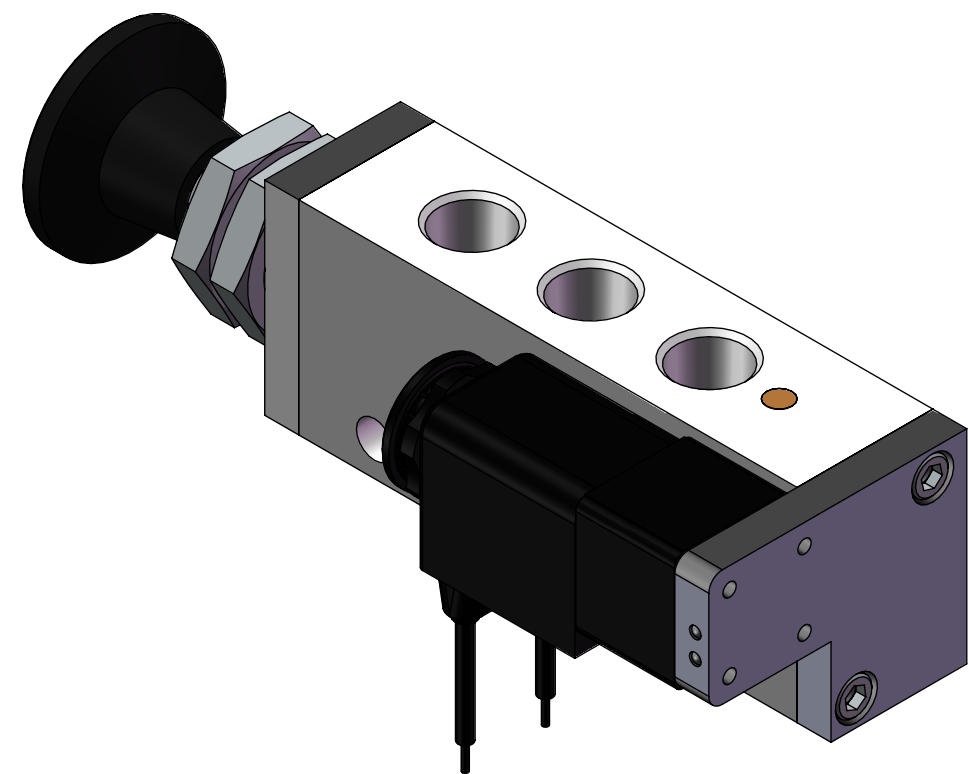
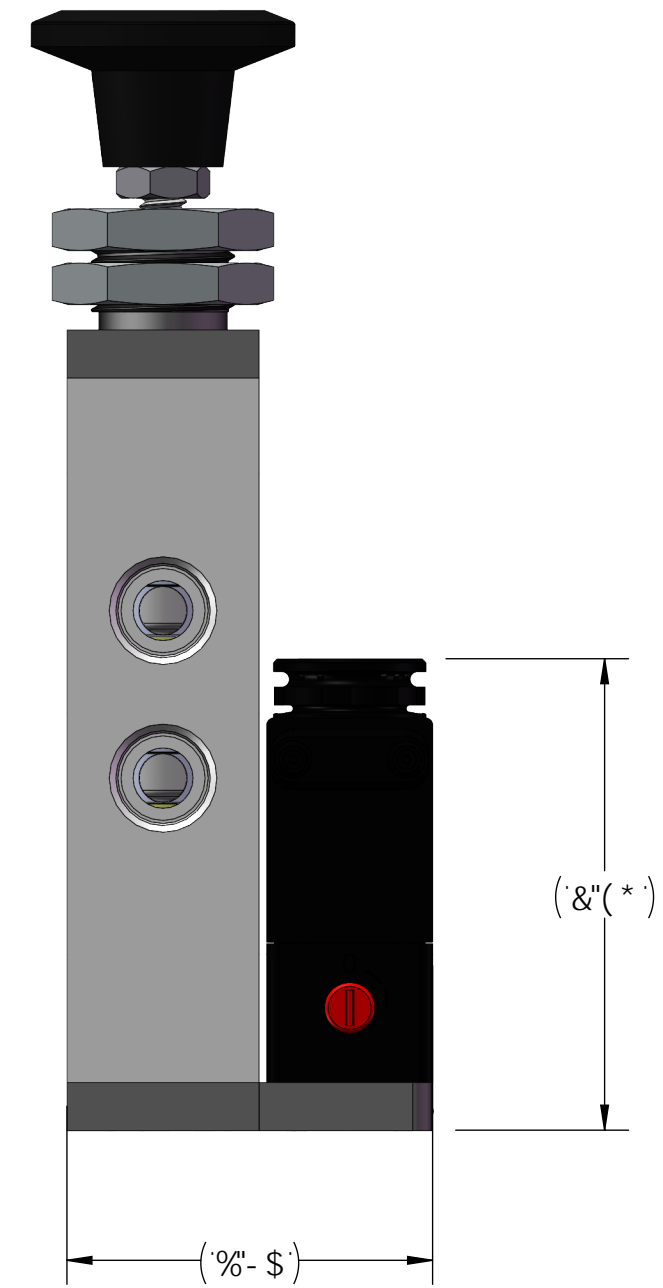
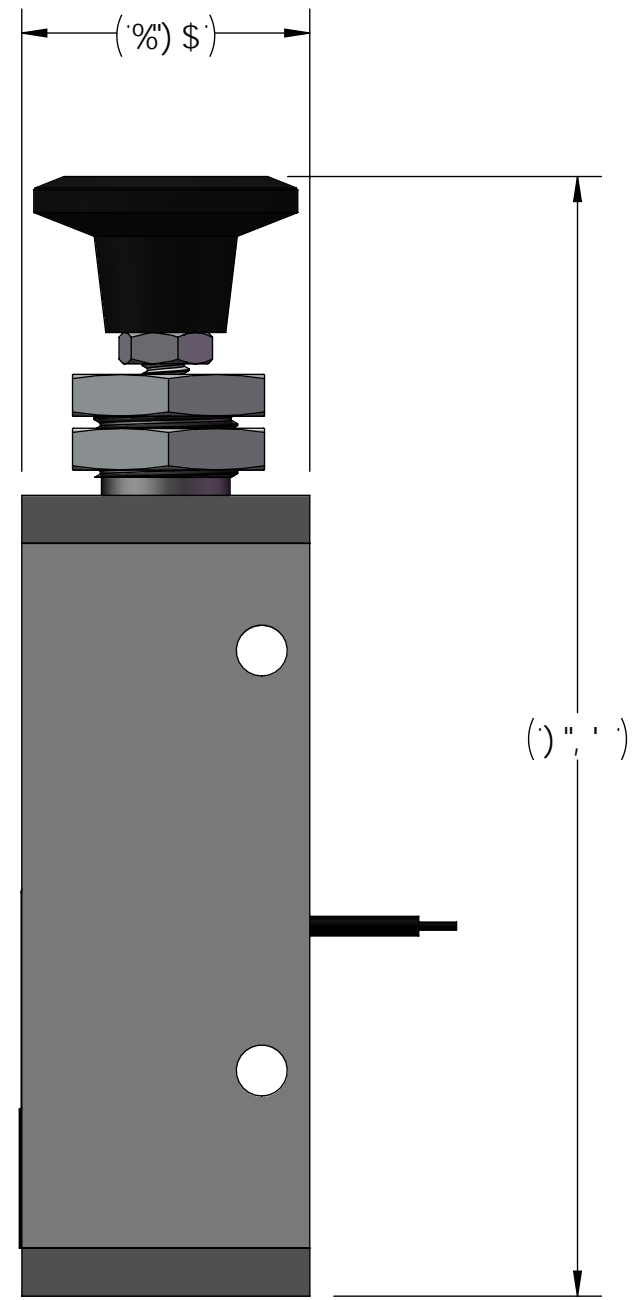


F9J GCBG					
97 F	F9J GCB	89G7 F4HC B	7 < 5B: 98 6M	85HP	5DDFCJ 98 6M
' *%&	7	#9A & 5DD95F5B7 9'7 < 5B; 9	7 6	(#%\$#&\$%)	FH



DFCDF 9H5 FM5 B8 7 CB: 89BH5 @ <small>VPOA QOUT CEWP AOU P VCB COAP AP QIUCY Q QAWA P OA UU SOAUUUOUVYAUQ% DG7 C #WALB YAUUUUOWONW P A A UCEVAUUAELAY PUSOA QP UWA' UQVOP AOUT QUWP AUQA 5 DG7 C #WAWAUUP QOQOE</small>								
HM9C: DFC > 97 HC B <small>H: # 8 5B: @9 DFC > 97 HC B</small>		<small>A 5HF 5@</small> B #5		<small>%, '95 GH((H< 'GHF99H HI @S ZC? +(%) ft % L* &@) *\$\$</small>				
<small>8F5K B</small> 7 6		<small>85HP</small> ' #, #&\$%		<small>HH@9</small> J 5 @ 9) ' K 5 M' DI G< #DI @ @ 5 F '				
<small>7 < 97 798</small> 5K		<small>85HP</small> ' #, #&\$%		<small>8K ; "BC"</small> J @) !9G				
<small>5DDFCJ 98</small> FH		<small>85HP</small> ' #, #&\$%		<small>G< 99HG A9</small> 5CG9A 6@HC @F5B7 9				
<small>: 85@</small> FH		<small>85HP</small> ' #, #&\$%		<small>G7 5 @</small> FK 7				
<small>: #B. J @) !9G</small>		<small>G< H & C: &</small>		<small>F9J GCB</small>				