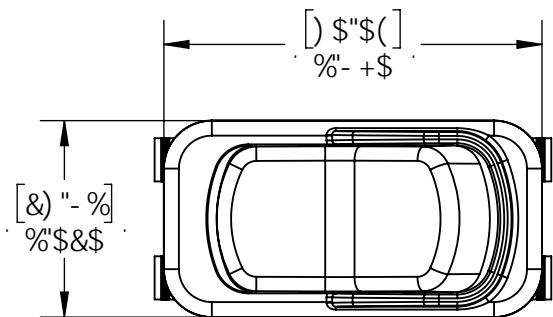


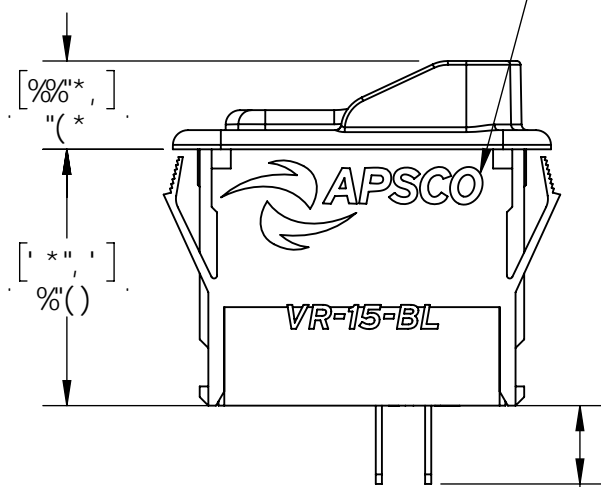
BC H9Gfl B @9GC Hk 9FK 69GD97 ÷ 98L
 %'6F95? '5@@G<5FD'98; 9G
 &'F9A C J 9'5@6I FFG: C F'G5: 9'<5B8@B;

F9J 6CBG

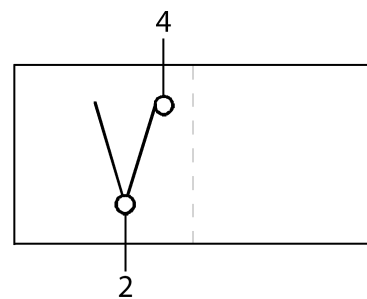
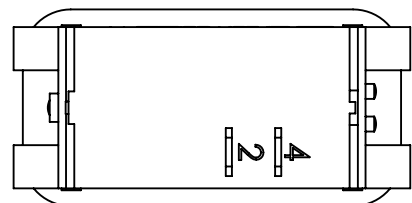
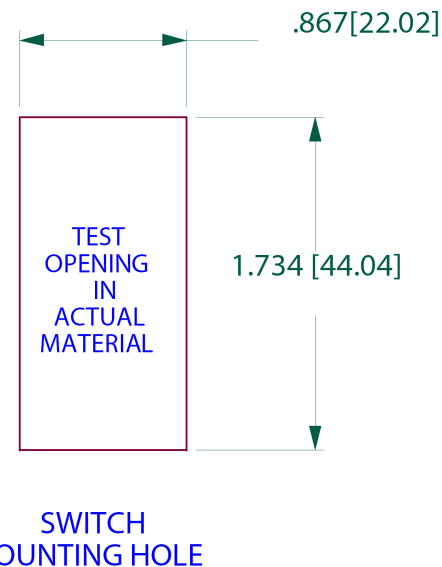
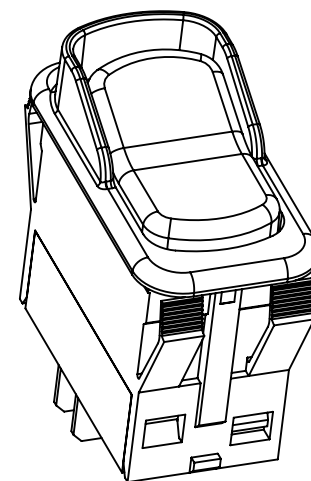
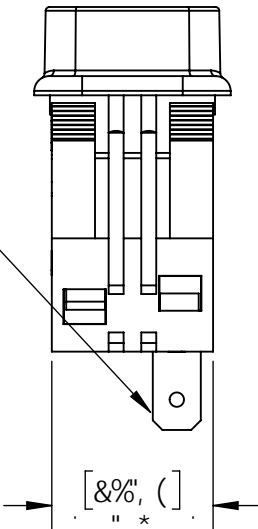
97F	F9J 6CB	89G7 F DHC B	7<5B: 98'6M	85H9	5DDFC J 98'6M
9B;	%	B9K F9@95G9	76	(#&#&\$&\$)	FH






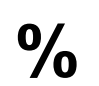
DF BH@; C
 5B8 D5FHBI A 69F
 C B GK #7 <



"&) \$ L ' '\$ ' &
 0' ") Q ' O , % Q



CIRCUIT DIAGRAM

<p>DFCDF 9H5 FM5 B8 7 CB: 89BH5 @ VP O A Q U I T C V Q I P A O U P V C P O O A P Q I O U C Y Q O A W P O A U U S O A U U U O U V Y A U O 5 DG7 C b W A P Y A U O U U O W O N W P A C A U C E J V A U A E J A Z Y P U S O A Y Q P U W A Y U Q V O P A U O U T Q U W P A U O A 5 DG7 C b W A U A U U P Q Q O O E</p>		<p>5 DG7 C , % , ' 95 GH ((H < ' GHF99H H I @ 35 Z C ? ' + (%) fl % L * & &) * \$ \$</p>	
<p>HMD9C: DFC >97 HC B  Hk F8 '5B: @9DFC >97 HC B</p>		<p>A 5H9F5@ B #5</p>	
<p>8F5K B 76 7 < 97 798</p>	<p>85H9 (# & # & \$ & \$) 85H9 (# & # & \$ & \$)</p>	<p>: B G < B #5</p>	
<p>5DDFC J 98 ?H : B 5 @ FH</p>	<p>85H9 (# & # & \$ & \$) 85H9 (# & # & \$ & \$)</p>	<p>I B @9GC Hk 9FK 69GD97 ÷ 98 8 A 9BGC BG5F9'B 7 < 9G HC @F5B7 9G5F9. 897 A 5@ G F: 579: B 6< . '* "L'1'±"\$* 5B: @9G±&' "LL'1'±"\$' <C @9G±"\$\$\$) "LLL'1'±"\$%\$ <C @9G@C 75HC B ±"\$\$\$) 8C BCHG75@98F5K B;</p>	
<p>#B: J F ! % ! 6 @</p>		<p>G < 99HGAP G7 5 @ F9J 6CB    G < H ' % C : %</p>	