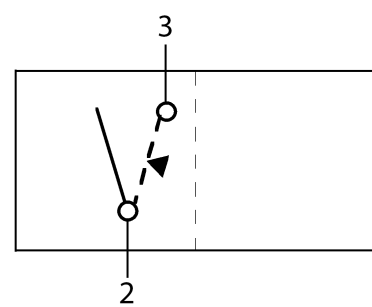
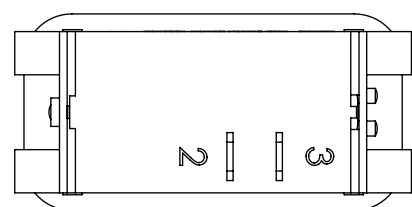
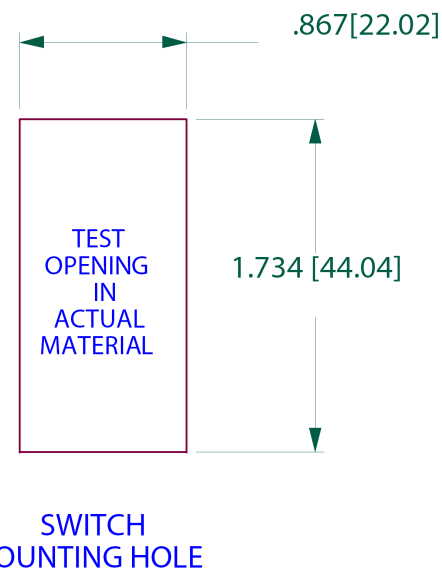
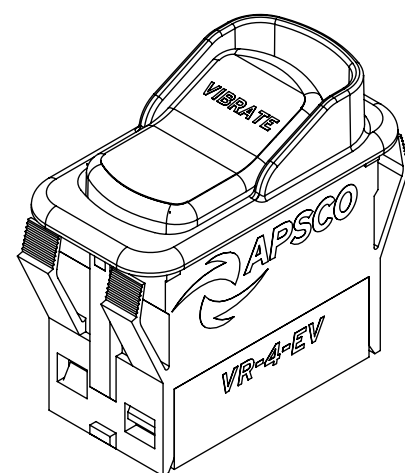
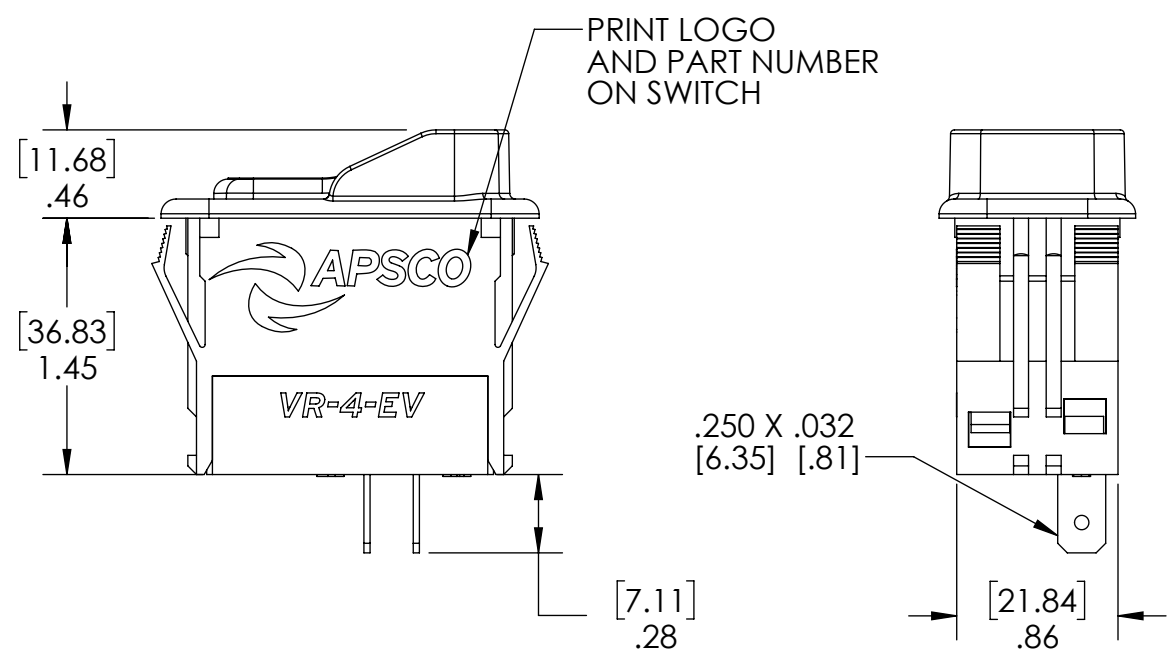
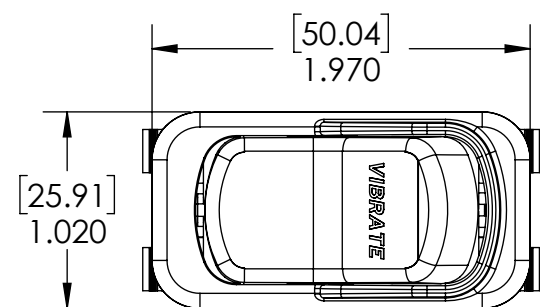


NOTES (UNLESS OTHERWISE SPECIFIED)
 1. BREAK ALL SHARP EDGES
 2. REMOVE ALL BURRS FOR SAFE HANDLING

| REVISIONS | | | | | |
|-----------|----------|-------------|------------|-----------|-------------|
| ECR | REVISION | DESCRIPTION | CHANGED BY | DATE | APPROVED BY |
| ENG | 1 | NEW RELEASE | CB | 4/20/2020 | RT |



CIRCUIT DIAGRAM

| | |
|---|--------------------------|
| PROPRIETARY AND CONFIDENTIAL THE INFORMATION CONTAINED IN THIS DRAWING IS THE SOLE PROPERTY OF APSCO Inc.. ANY REPRODUCTION IN PART OR AS A WHOLE WITHOUT WRITTEN PERMISSION OF APSCO Inc. IS PROHIBITED. | |
| TYPE OF PROJECTION THIRD ANGLE PROJECTION | MATERIAL N/A |
| DRAWN CB | DATE 4/20/2020 |
| CHECKED DB | DATE 4/20/2020 |
| APPROVED KT | DATE 4/20/2020 |
| FINAL RT | DATE 4/20/2020 |
| FINISH N/A | |



TITLE: SWITCH ELECTRIC VIBRATOR

UNLESS OTHERWISE SPECIFIED
 DIMENSIONS ARE IN INCHES
 TOLERANCES ARE:
 DECIMALS .X = ±.06
 .XX = ±.03
 .XXX = ±.010
 SURFACE FINISH: 63
 ANGLES ± 2°
 HOLES ± .005
 HOLES LOCATION ± .005
 DO NOT SCALE DRAWING

| | | |
|----------------------------|--------------|----------------------|
| DWG. NO. VR-4-EV | | |
| SHEET SIZE B | SCALE 1:1 | REVISION 1 |

F/N: VR-4-EV

SHT. 1 OF 1