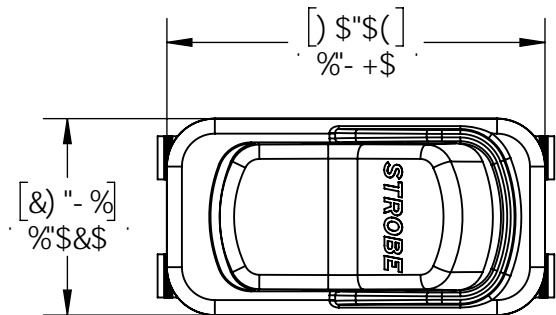


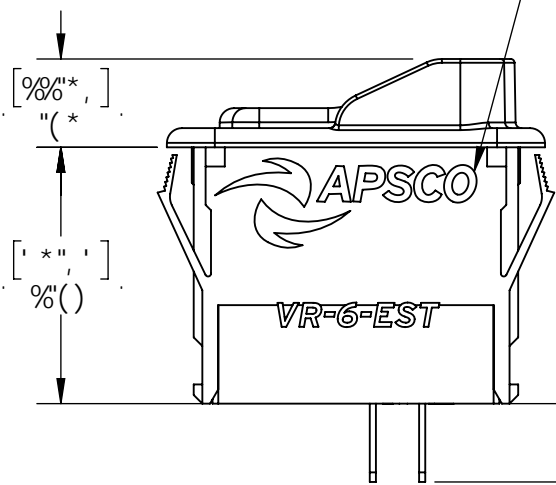
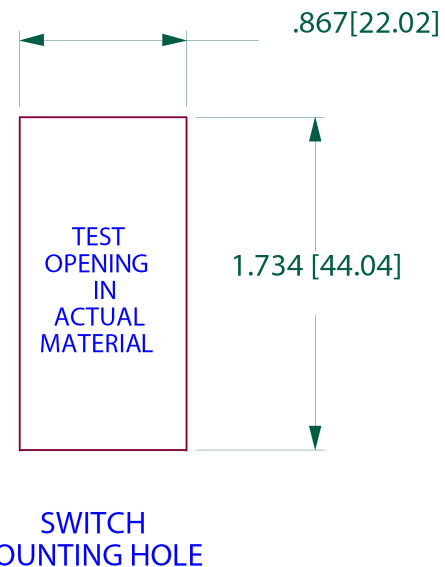
BC H9Gfl B @9GC Hk 9FK #9'GD97 ÷ 98L
 %'6F 95? '5@@G<5FD'98; 9G
 &'F9A C J 9'5@6l FFG: C F'G5: 9'<5B8 @B;

F9J #GCB

97F	F9J #GCB	89G7 F#HCB	7<5B: 98'6M	85H9	5DDFC J 98'6M
9B;	%	B9K 'F9@95G9	76	(#&\$#&\$&\$)	FH



DF #BH@; C
 5B8 'D5FHBI A 69F
 C B'GK #7 <

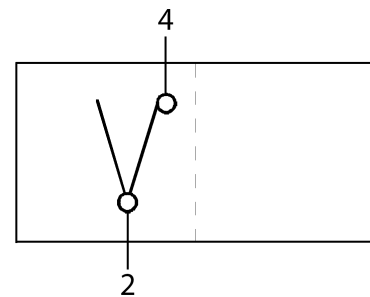
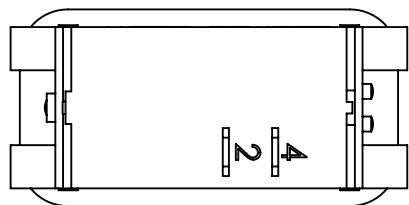


"& '\$ L '\$ &
 0'") Q'Q, %Q



[+"%Q]
 "&

[&%" ()
 " *



CIRCUIT DIAGRAM

DFCDF #H5 FM5 B8 '7 CB: #9BH5 @
 VP O Q U T @ V P A O U P V O E O O A P W O U O Y O O A P O A
 U U S O A U U U O U V Y A U O 5 DG7 C # W E P Y A U O U U O W O N W P A O A
 U O E V A U A E U A Z Y P U S O A Q P U W W Y U Q V O P A U O U T Q U W P A U O A
 5 DG7 C # W A Q U U P Q O O E

HMD9'C: DFC >97 HC B		A 5H9F-5@
		B #5
8F5K B 76	85H9 (#&\$#&\$&\$)	
7<97'98	85H9	: B G<
86	(#&\$#&\$&\$)	
5DDFC J 98	85H9	B #5
?H	(#&\$#&\$&\$)	
:B5@	85H9	
FH	(#&\$#&\$&\$)	



H#09. GK #7 < '9@97 HF 7 'GHFC 69		
I B @9GC Hk 9FK #9'GD97 ÷ 98 8 A 9BG@ BG5F9' B 7 < 9G HC @F5B7 9G5F9.		
897 A 5@G "L'1 ±"\$* "LL'1 ±"\$ "LLL'1 ±"\$%	G F: 579: B #<. '* 5B: @G ± "& <C @G ± "\$\$ <C @G @C 7 5HC B ± "\$\$)	8K ; "'BC" J F ! * ! 9GH
G< 99HGAP	G7 5 @	F9J #GCB
Ó	FK	%
#B. J F ! * ! 9GH		G<H'C: %