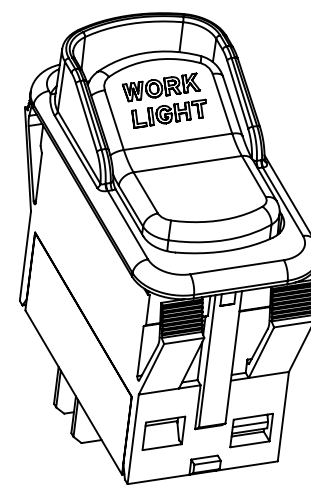
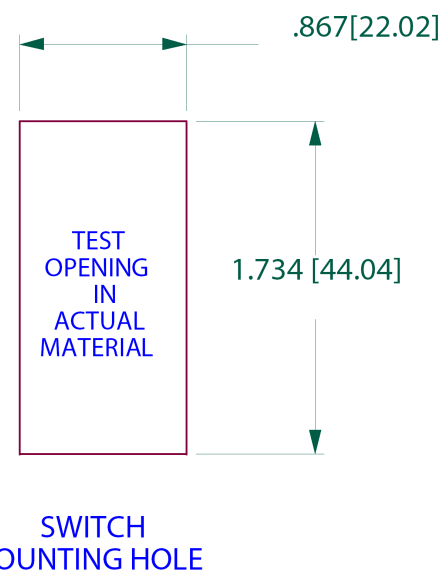
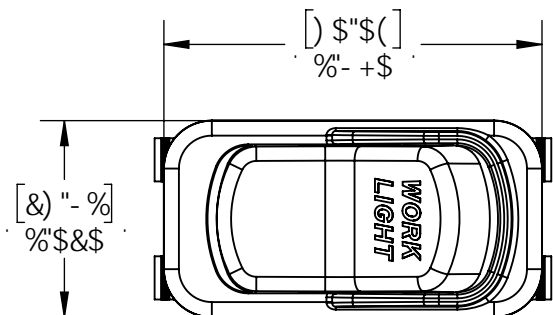


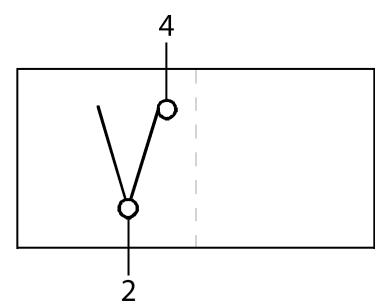
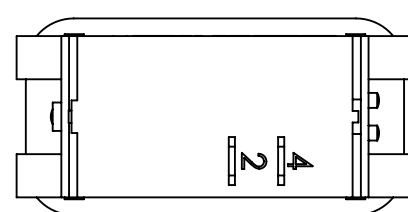
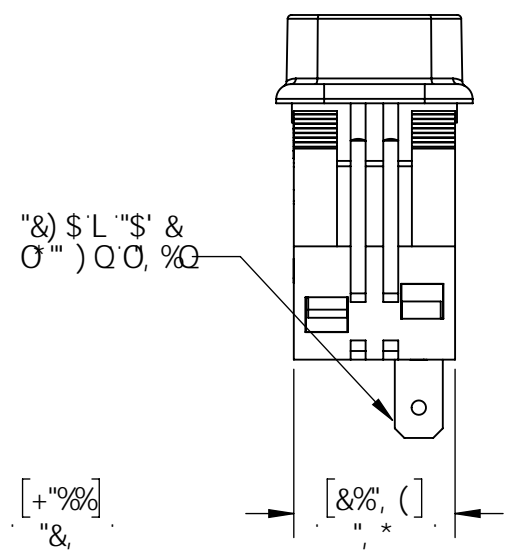
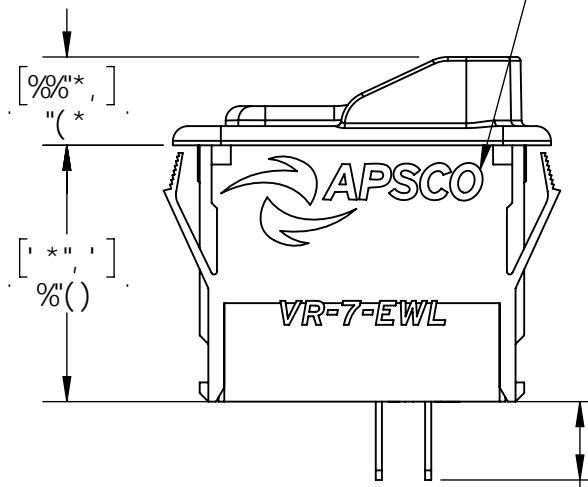
BC H9Gfl B @9GC Hk 9FK 69GD97 ÷ 98L  
 %'6F95? '5@@G<5FD'98; 9G  
 &'F9A C J 9'5@6l FFG: C F'G5: 9'<5B8 @B;

F9J 6CBG

97F	F9J 6CB	89G7 F DHC B	7<5B: 98'6M	85H9	5DDFC J 98'6M
9B;	%	B9K F9@5G9	76	(#&#&\$&\$)	FH



DF BH@; C  
 5B8 D5FHBI A 69F  
 C B GK #7 <



CIRCUIT DIAGRAM

<b>DFCDF 9H5 FM5 B8 7 CB: 89BH5 @</b> VP O P O U T O V P I O U P V O P O O A P O U O U C Y O O A P O A U U S O A U U U O U V Y A U O 5 DG7 C b W A P Y A U O U U O W O N O P A C A U C E V A U A E U A Z Y P U S O A Y Q P U W A Y U Q V O P A U O U T O U O P A U O A 5 DG7 C b W A U A U U P O Q O E	
<b>HMD9C: DFC &gt;97 HC B</b> 	A 5H9F5@ B#5
8F5K B <b>76</b> 7<97798 <b>86</b> 5DDFC J 98 ?H :B5@ FH	85H9 (#&#&\$&\$) 85H9 (#&#&\$&\$) 85H9 (#&#&\$&\$) 85H9 (#&#&\$&\$)
:B G< B#5	

# 5 DG7 C

, % , '95 GH' ( ( H< 'GHF99H  
 HI @35 ZC? '+(%)  
 fl % L\* && ) \*\$\$

H# @9. GK #7 < '9@97 HF 7 'K C F? @ < H

I B @9GC Hk 9FK 69GD97 ÷ 98 8 A 9BG6 BG5F9 B B7 <9G HC @F5B7 9G5F9.		8K ; "'BC" <b>J F! +! 9K @</b>
897 A 5@G "L'1 ±"\$* "LL'1 ±"\$ "LLL'1 ±"\$%\$	G F: 579: B G< .'' 5B: @G ± & <C @G ± "\$\$) <C @G @C 7 5HC B ± "\$\$)	G< 99HGAP <b>Ó</b>
8C BCHG7 5 @8F5K B; : #B. J F! +! 9K @		G7 5 @9 <b>FK</b>
		F9J 6CB <b>%</b>
		G< H' %C: %

8  
7  
6  
5

8  
7  
6  
5