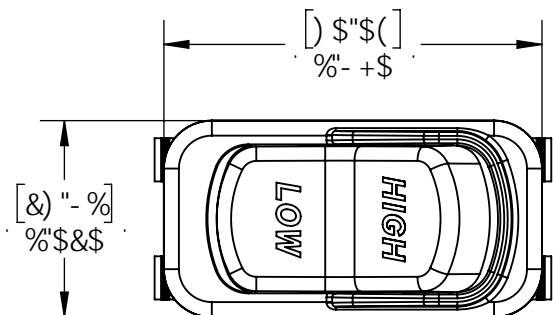


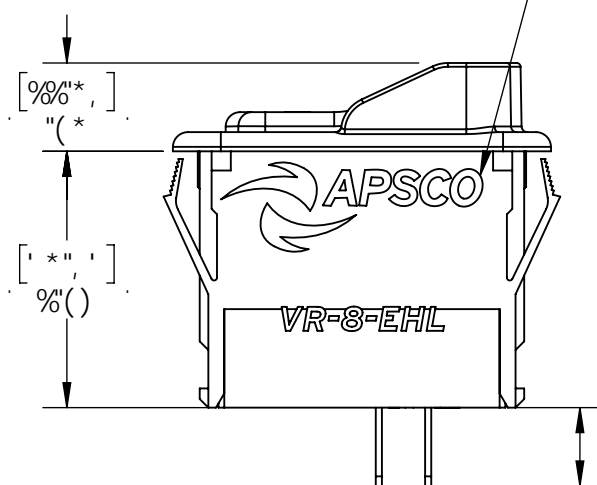
BC H9Gfl B @GGC Hk 9FK 69GD97 ÷ 98L
 %'6F95? '5@@G<5FD'98; 9G
 &"F9A C J 9'5@6I FFG: C F'G5: 9'<5B8 @B;

F9J 6CBG

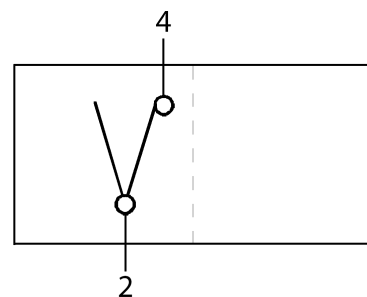
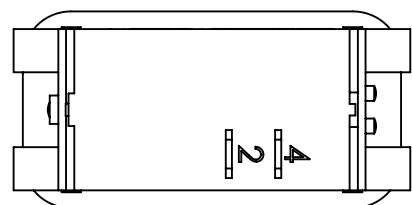
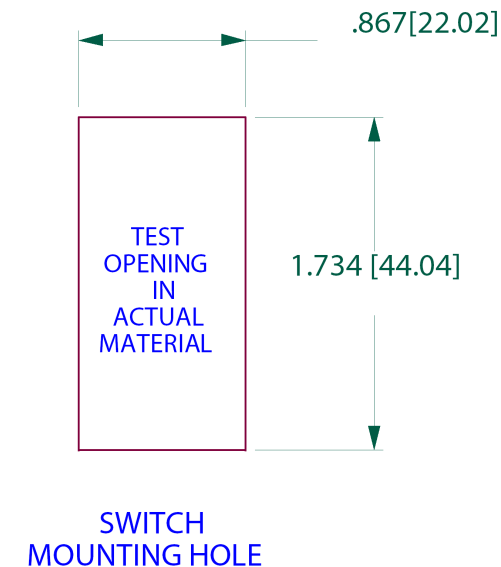
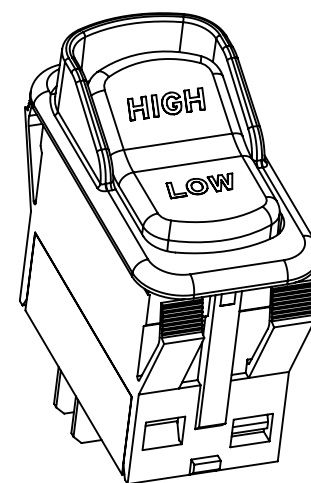
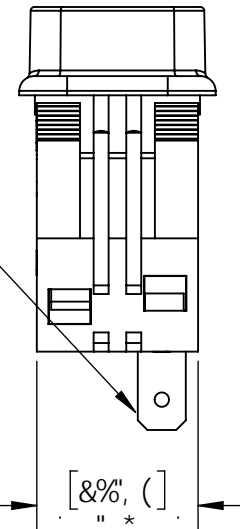
97F	F9J 6CB	89G7 F DHC B	7<5B: 98'6M	85H9	5DDFC J 98'6M
9B;	%	B9K F9@95G9	76	(#&#&\$&\$)	FH



DF BH@; C
 5B8 D5FHBI A 69F
 C B GK #7 <



"&)' \$ L "' \$' &
 0'") Q' C, %Q



CIRCUIT DIAGRAM

<p>DFCDF 9H5 FM5 B8 7 CB: 89BH5 @ VP O A Q U T C V Q P A O U P V C P O O A P Q U O C Y Q O A P O A U U S O A U U U O U V Y A U O 5 DG7 C b W A P Y A U O U U O W O N P A C A U C E V A U A E A Z Y P U S O A Q P U W A Y U Q V O P A U O U T Q U W P A U O A 5 DG7 C b W A U U U P Q Q O E</p>		<p>5 DG7 C , % , ' 95 GH' ((H < ' GHF99H H I @ 35 Z C ? ' + (%) fl % L * & &) * \$ \$</p>	
<p>HMD9C: DFC >97 HC B Hk F8 5B: @9DFC >97 HC B</p>		<p>A 5H9F5@ B#5</p>	
<p>8F5K B 76 7<97798</p>	<p>85H9 (# & # & \$ & \$) 85H9</p>	<p>: B G < B#5</p>	
<p>5DDFC J 98 ?H : B5@ FH</p>	<p>85H9 (# & # & \$ & \$) 85H9 (# & # & \$ & \$) 85H9 (# & # & \$ & \$)</p>	<p>I B @GGC Hk 9FK 69GD97 ÷ 98 8 A 9BGC BG5F9'B 7 < 9G HC @F5B7 9G5F9. 897 A 5@ G F: 579: B 6< . * * "L'1 ± "\$* 5B: @G ± & * "LL'1 ± "\$' < C @G ± "\$ \$) "LLL'1 ± "\$% < C @G @C 7 5HC B ± "\$ \$) 8C BCHG7 5 @ 8F5K B;</p>	
<p>#B: J F!, !9<@</p>		<p>G<99HGAP G7 5 @ F9J 6CB G<H'C: %</p>	