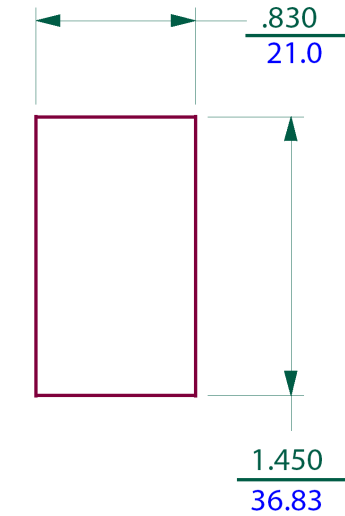
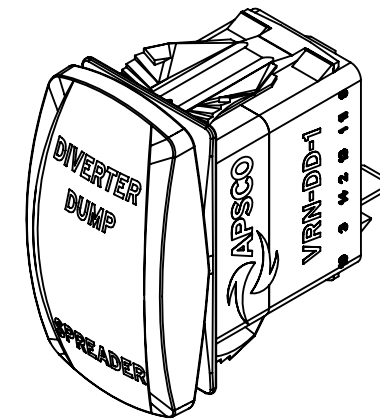
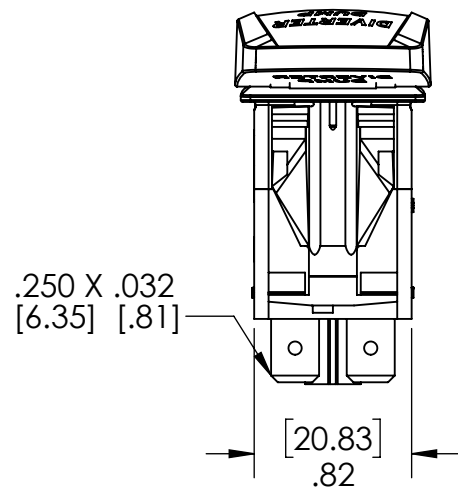
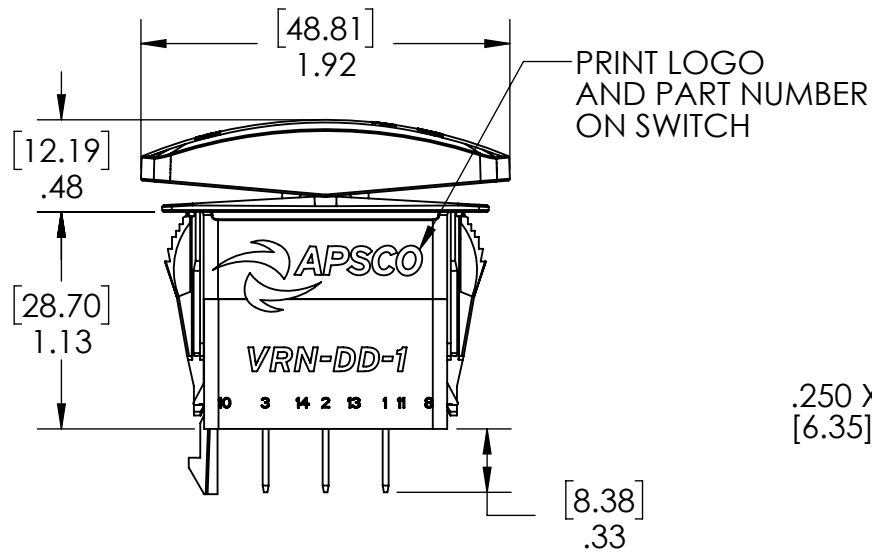
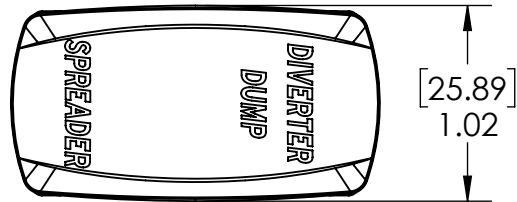
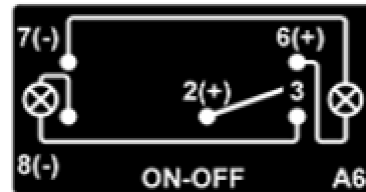
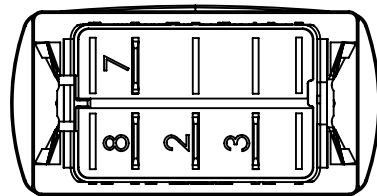


NOTES (UNLESS OTHERWISE SPECIFIED)
 1. BREAK ALL SHARP EDGES
 2. REMOVE ALL BURRS FOR SAFE HANDLING

REVISIONS					
ECR	REVISION	DESCRIPTION	CHANGED BY	DATE	APPROVED BY
ENG	1	NEW RELEASE	CB	4/29/2020	RT



MOUNTING HOLE
 PANEL THICKNESS
 (SNAP - IN BRACKET)
 .030 MIN --- .187 MAX
 .76 4.75



<p>PROPRIETARY AND CONFIDENTIAL THE INFORMATION CONTAINED IN THIS DRAWING IS THE SOLE PROPERTY OF APSCO Inc.. ANY REPRODUCTION IN PART OR AS A WHOLE WITHOUT WRITTEN PERMISSION OF APSCO Inc. IS PROHIBITED.</p>		<p>8178 EAST 44TH STREET TULSA, OK 74145 (918) 622-5600</p>	
<p>TYPE OF PROJECTION THIRD ANGLE PROJECTION</p>		<p>MATERIAL N/A</p>	
<p>DRAWN CB DATE 4/29/2020</p>		<p>FINISH N/A</p>	
<p>CHECKED DB DATE 4/29/2020</p>		<p>UNLESS OTHERWISE SPECIFIED DIMENSIONS ARE IN INCHES TOLERANCES ARE: DECIMALS .X = ±.06 .XX = ±.03 .XXX = ±.010 SURFACE FINISH: 63 ANGLES ± 2° HOLES ± .005 HOLES LOCATION ± .005 DO NOT SCALE DRAWING</p>	
<p>APPROVED KT DATE 4/29/2020</p>		<p>DWG. NO. VRN-DD-1</p>	
<p>FINAL RT DATE 4/29/2020</p>		<p>SHEET SIZE B</p>	<p>SCALE 1:1</p>
<p>F/N: VRN-DD-1</p>		<p>REVISION 1</p>	<p>SHT. 1 OF 1</p>