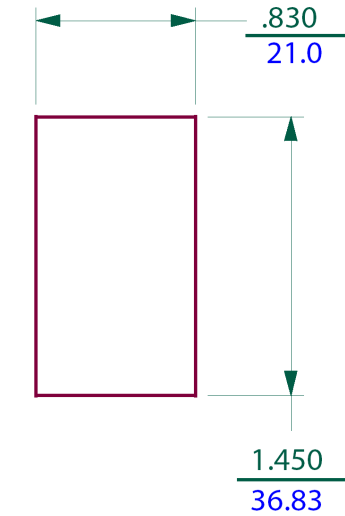
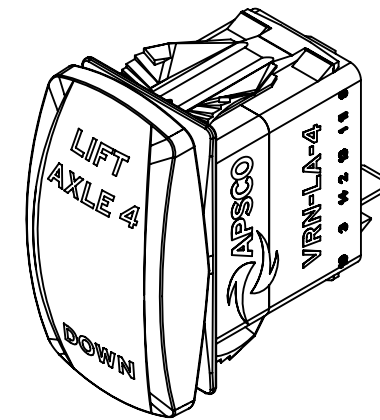
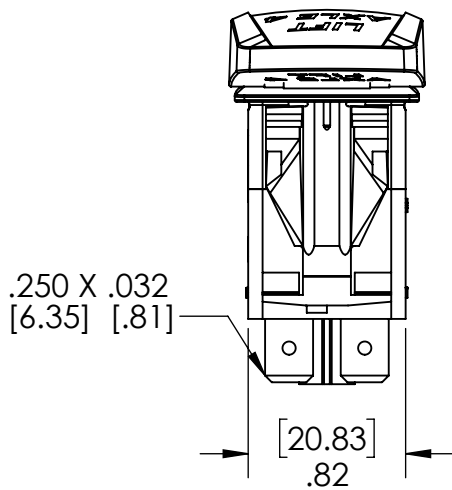
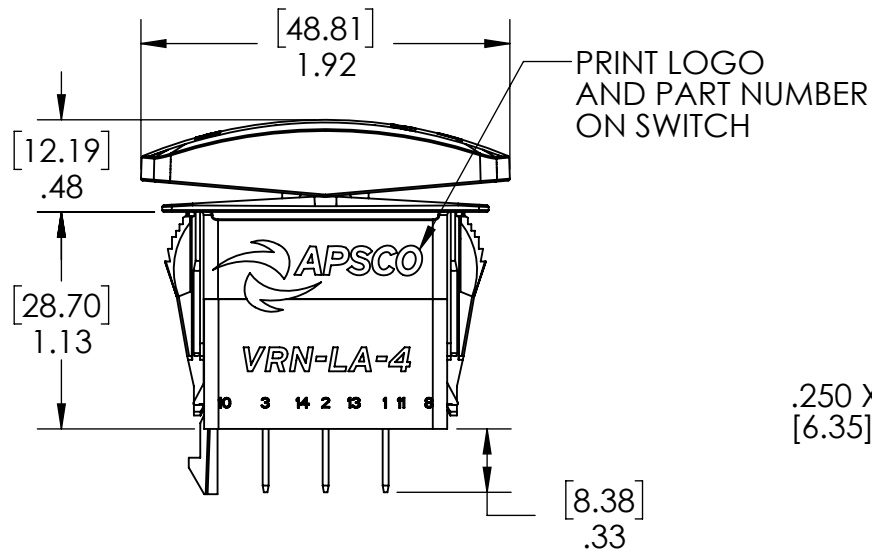
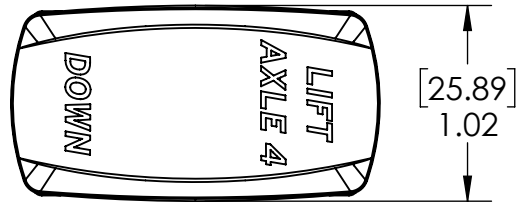
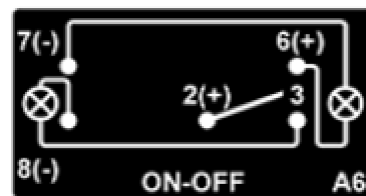
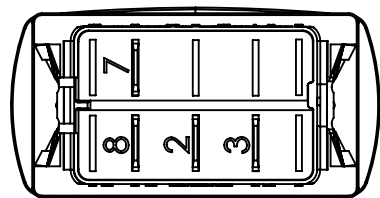




NOTES (UNLESS OTHERWISE SPECIFIED)  
 1. BREAK ALL SHARP EDGES  
 2. REMOVE ALL BURRS FOR SAFE HANDLING

REVISIONS					
ECR	REVISION	DESCRIPTION	CHANGED BY	DATE	APPROVED BY
ENG	1	NEW RELEASE	CB	4/28/2020	RT



**MOUNTING HOLE**  
 PANEL THICKNESS  
 (SNAP - IN BRACKET)  
 .030 MIN --- .187 MAX  
 .76 4.75



<b>PROPRIETARY AND CONFIDENTIAL</b> THE INFORMATION CONTAINED IN THIS DRAWING IS THE SOLE PROPERTY OF APSCO Inc.. ANY REPRODUCTION IN PART OR AS A WHOLE WITHOUT WRITTEN PERMISSION OF APSCO Inc. IS PROHIBITED.		 8178 EAST 44TH STREET TULSA, OK 74145 (918) 622-5600	
<b>TYPE OF PROJECTION</b>  THIRD ANGLE PROJECTION		MATERIAL N/A	
DRAWN CB DATE 4/28/2020		FINISH N/A	
CHECKED DB DATE 4/28/2020		UNLESS OTHERWISE SPECIFIED DIMENSIONS ARE IN INCHES TOLERANCES ARE: DECIMALS .X = ±.06 .XX = ±.03 .XXX = ±.010 SURFACE FINISH: 63 ANGLES ± 2° HOLES ± .005 HOLES LOCATION ± .005 DO NOT SCALE DRAWING	
APPROVED KT DATE 4/28/2020		DWG. NO. <b>VRN-LA-4</b>	
FINAL RT DATE 4/28/2020		SHEET SIZE <b>B</b>	SCALE 1:1
F/N: VRN-LA-4		REVISION <b>1</b>	
		SHT. 1 OF 1	