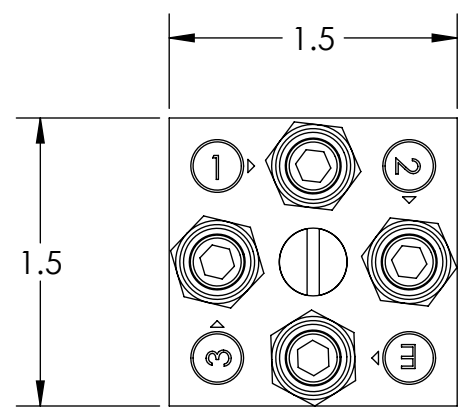
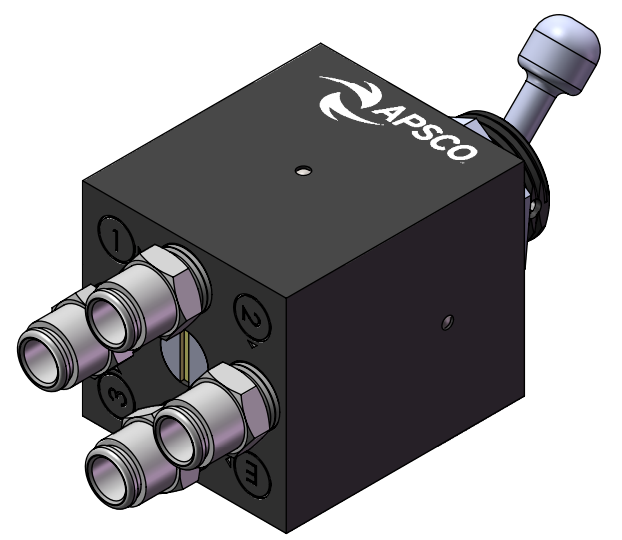
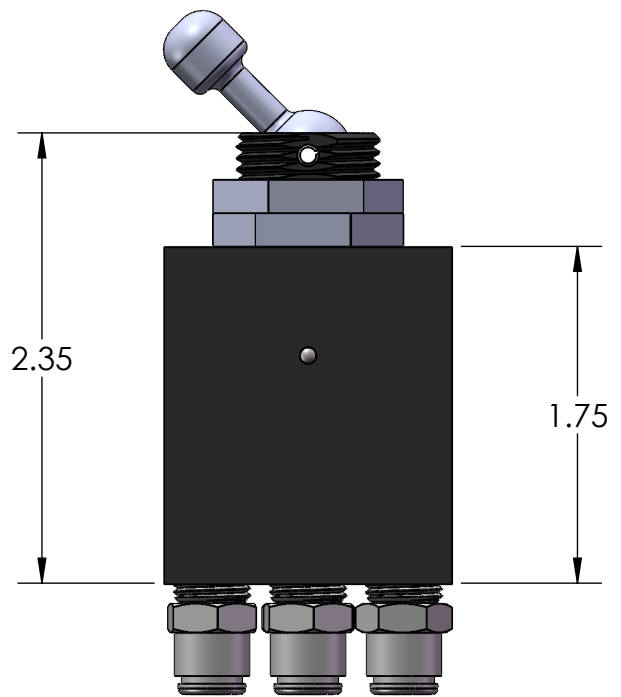
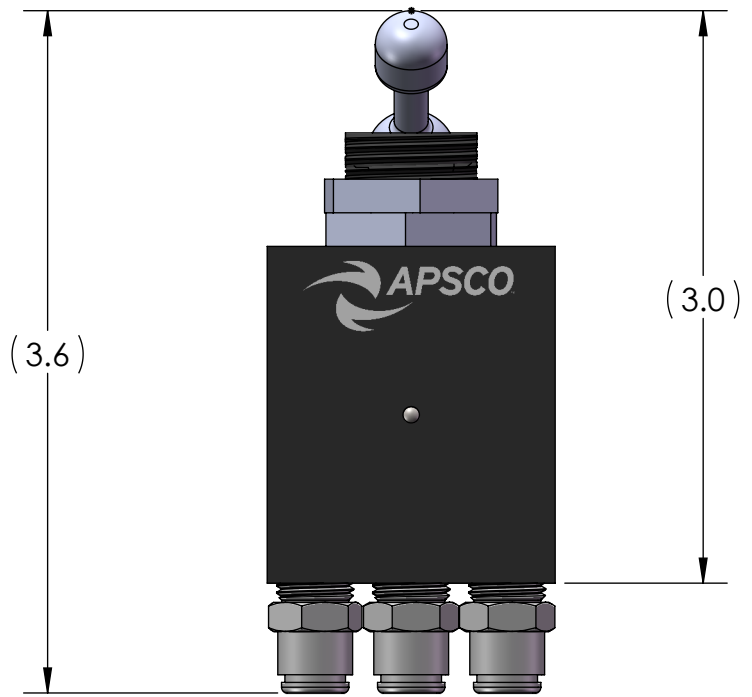




8 7 6 5 4 3 2 1

NOTES (UNLESS OTHERWISE SPECIFIED)  
 1. BREAK ALL SHARP EDGES  
 2. REMOVE ALL BURRS FOR SAFE HANDLING

REVISIONS					
ECR	REVISION	DESCRIPTION	CHANGED BY	DATE	APPROVED BY
ENG	1	NEW RELEASE	CB	1/13/2021	RT



<b>PROPRIETARY AND CONFIDENTIAL</b> THE INFORMATION CONTAINED IN THIS DRAWING IS THE SOLE PROPERTY OF APSCO Inc.. ANY REPRODUCTION IN PART OR AS A WHOLE WITHOUT WRITTEN PERMISSION OF APSCO Inc. IS PROHIBITED.																	
<b>TYPE OF PROJECTION</b>  THIRD ANGLE PROJECTION	<b>MATERIAL</b> N/A																
<table border="1"> <tr> <td>DRAWN</td> <td>DATE</td> </tr> <tr> <td>CB</td> <td>1/13/2021</td> </tr> <tr> <td>CHECKED</td> <td>DATE</td> </tr> <tr> <td>DB</td> <td>1/13/2021</td> </tr> <tr> <td>APPROVED</td> <td>DATE</td> </tr> <tr> <td>KT</td> <td>1/13/2021</td> </tr> <tr> <td>FINAL</td> <td>DATE</td> </tr> <tr> <td>RT</td> <td>1/13/2021</td> </tr> </table>	DRAWN	DATE	CB	1/13/2021	CHECKED	DATE	DB	1/13/2021	APPROVED	DATE	KT	1/13/2021	FINAL	DATE	RT	1/13/2021	<b>FINISH</b> N/A
DRAWN	DATE																
CB	1/13/2021																
CHECKED	DATE																
DB	1/13/2021																
APPROVED	DATE																
KT	1/13/2021																
FINAL	DATE																
RT	1/13/2021																



**APSCO**  
 8178 EAST 44TH STREET  
 TULSA, OK 74145  
 (918) 622-5600

**TITLE: VALVE 2 POS DETENT STRAIGHT FITTING**

UNLESS OTHERWISE SPECIFIED DIMENSIONS ARE IN INCHES TOLERANCES ARE:		DWG. NO. <b>VTS-2X</b>	
DECIMALS .X = ±.06 .XX = ±.03 .XXX = ±.010	SURFACE FINISH: 63 ANGLES ± 2° HOLES ± .005 HOLES LOCATION ± .005	SHEET SIZE	SCALE
DO NOT SCALE DRAWING		<b>B</b>	1:1
F/N: VTS-2X		REVISION	<b>1</b>
		SHT. 1 OF 1	

8 7 6 5 4 3 2 1