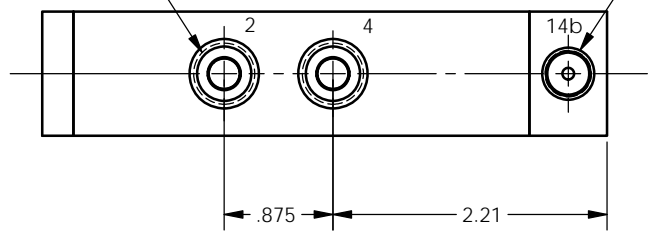


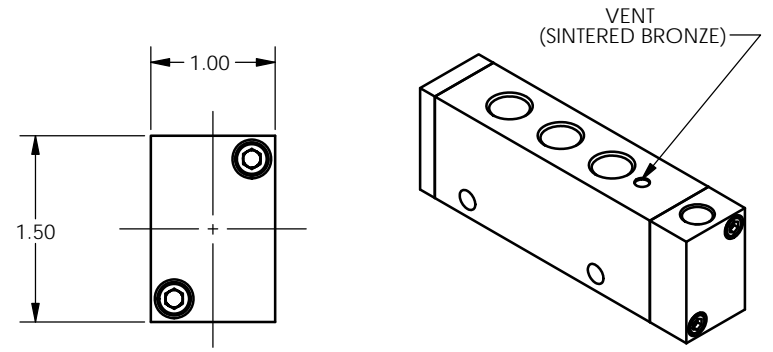
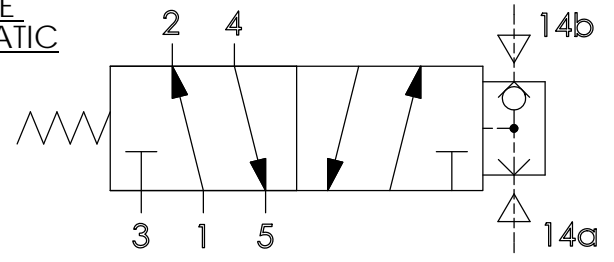
2X ϕ .266 THRU,
FOR ϕ 1/4 BOLT MTG.

5X, ϕ 1/4-18 NPT WORKING PORTS

2X, ϕ 1/8-27 NPT CONTROL PORTS

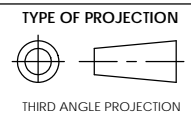


VALVE SCHEMATIC



SPECIFICATIONS:

VALVE TYPE	PNEUMATIC, 4 WAY, 2 POSITION, AIR ACTUATED, SPOOL
NUMBER OF PORTS	5 (WORKING), 2 (CONTROL)
PORT SIZE	1/4"-18 NPT (WORKING), 1/8"-27 NPT (CONTROL)
VALVE OPERATOR	AIR PILOTED SHUTTLE, SPRING RETURN
MAX FLOW	43 SCFM @ 100 PSI
OPERATING RANGE	45-130 PSI
MIN ACTIVATION PRESSURE	45 PSI
LENGTH x WIDTH x HEIGHT	4.55 x 1.50 x .75



DO NOT SCALE DRAWING
UNLESS OTHERWISE SPECIFIED
DIMENSIONS ARE IN INCHES
TOLERANCES ARE:
DECIMALS
.X = \pm .03
.XX = \pm .010
.XXX = \pm .005
FRACTION = \pm .015
ANGLES = \pm 1/2°

PROPRIETARY AND CONFIDENTIAL
THE INFORMATION CONTAINED IN THIS DRAWING IS THE SOLE PROPERTY OF APSCO Inc.. ANY REPRODUCTION IN PART OR AS A WHOLE WITHOUT WRITTEN PERMISSION OF APSCO Inc. IS PROHIBITED.

SURFACE TEXTURE OR BETTER	
MATERIAL	NA
FINISH	NA



TITLE: VX VALVE; 4-WAY, 2 POSITION
AIR PILOTED SHUTTLE ACTUATED,
SPRING RETURN

DWG. NO.		REV	
VX-4-APS		-	
SIZE	DRAWN	DATE	CLASS
B	GK	08/09/2014	VALVE
F/N:VX-4 SERIES, ACTUATED			SHT. 2 OF 2