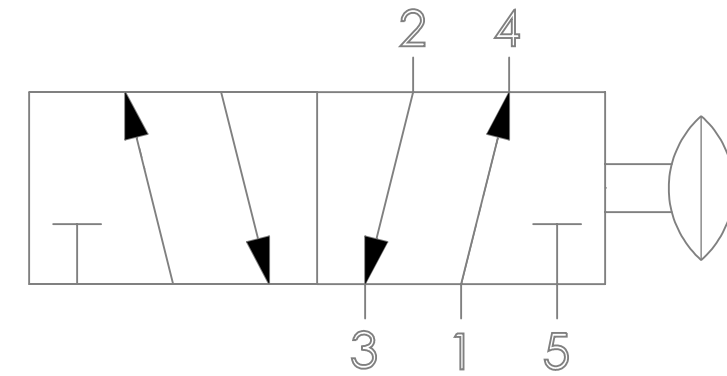
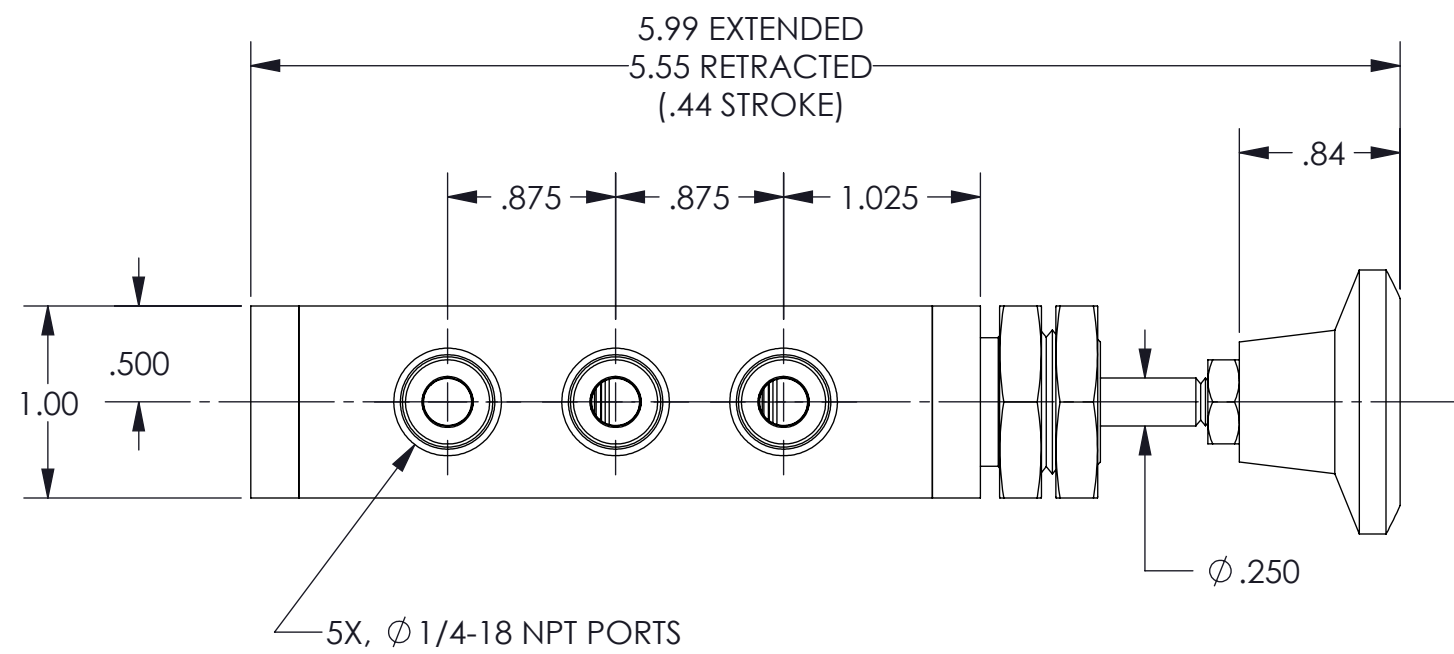
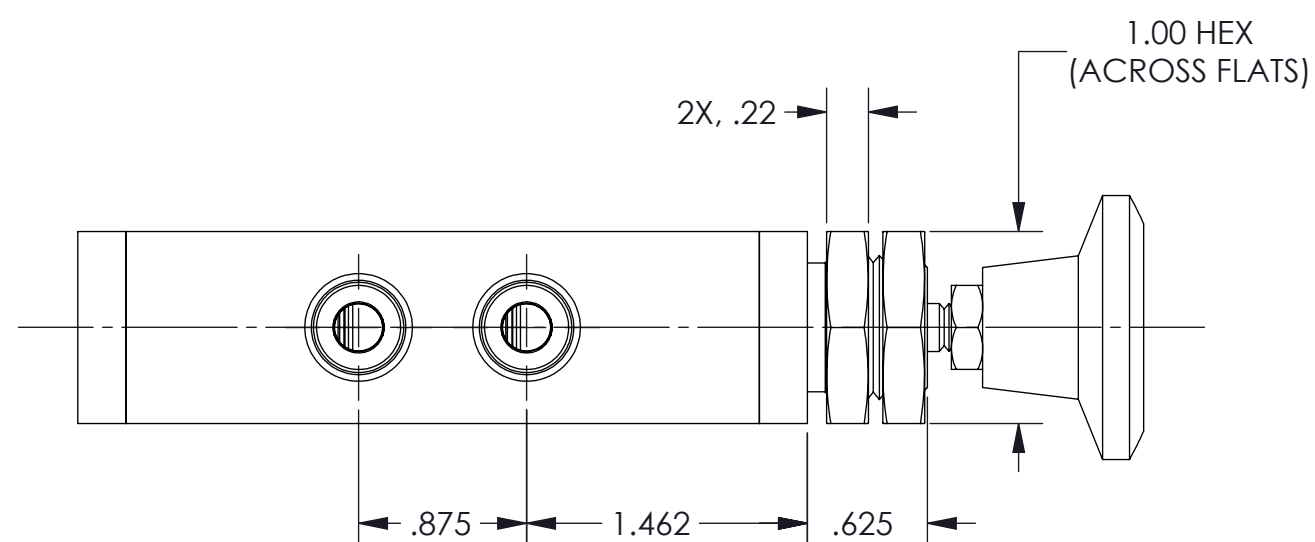
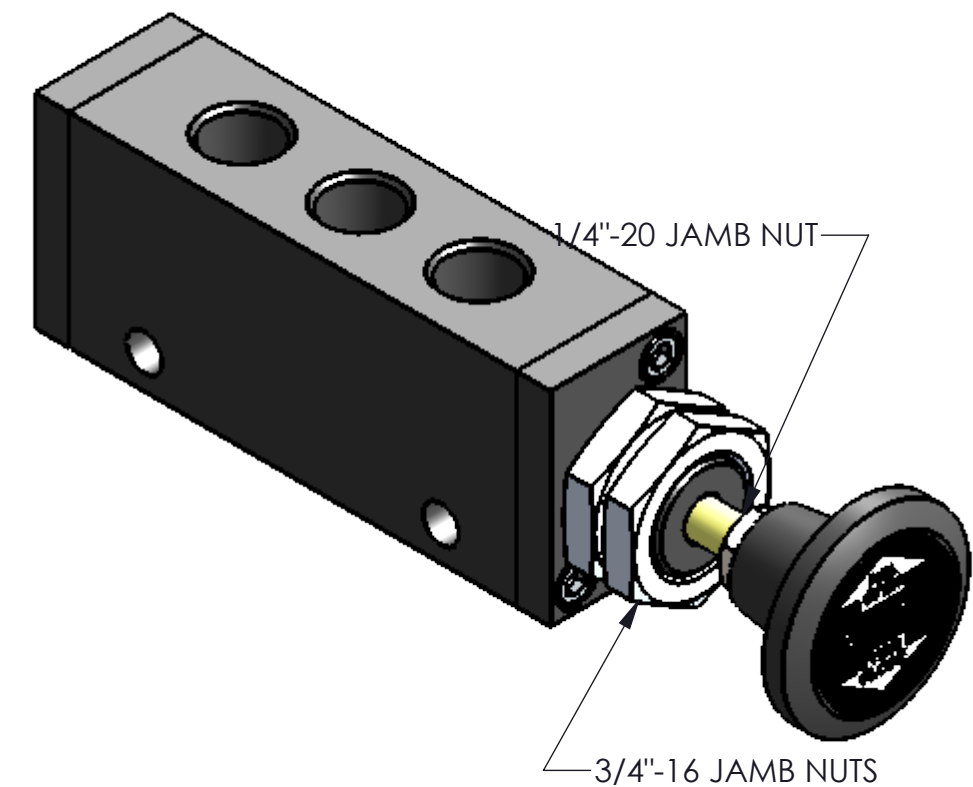
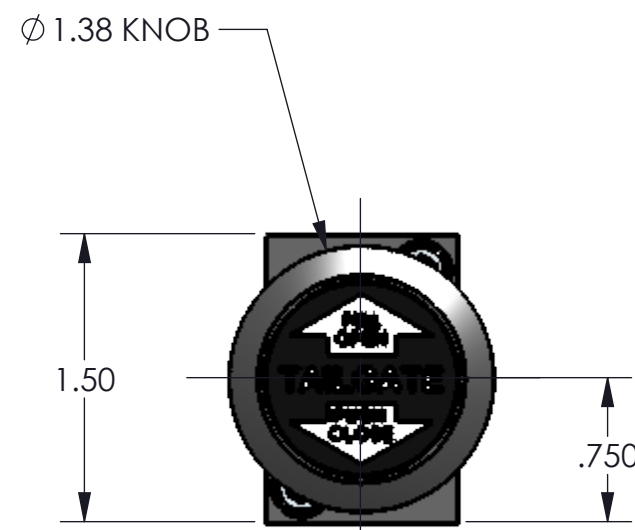
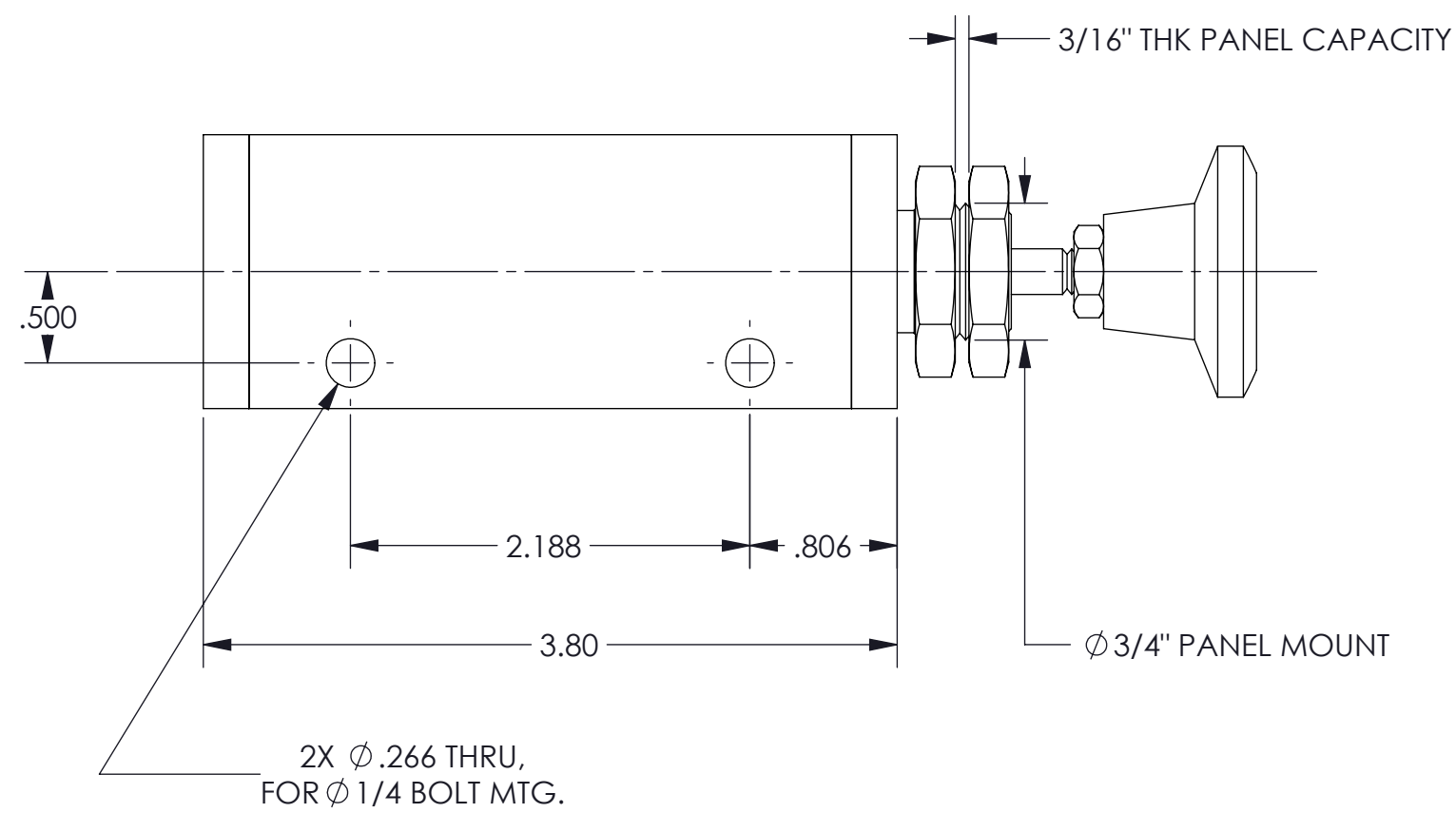


REVISIONS					
ECR	REVISION	DESCRIPTION	CHANGED BY	DATE	APPROVED BY
3384	C	CHANGED 6897 LABEL TO 6037	CB	5/11/2017	FH



VALVE SCHEMATIC



**SPECIFICATIONS:**

VALVE TYPE	PNEUMATIC, 4 WAY, 2 POSITION
NUMBER OF PORTS	5
PORT SIZE	1/4"-18 NPT
VALVE OPERATOR	MANUAL, PUSH/PULL
MAX FLOW	43 SCFM @ 100 PSI
OPERATING RANGE	0-130 PSI
LENGTH x WIDTH x HEIGHT	5.99 x 1.50 x 1.38

**PROPRIETARY AND CONFIDENTIAL**  
THE INFORMATION CONTAINED IN THIS DRAWING IS THE SOLE PROPERTY OF APSCO Inc.. ANY REPRODUCTION IN PART OR AS A WHOLE WITHOUT WRITTEN PERMISSION OF APSCO Inc. IS PROHIBITED.



TYPE OF PROJECTION		MATERIAL	FINISH
THIRD ANGLE PROJECTION			
DRAWN	DATE	N/A	N/A
DJ	3/29/2016		
CHECKED	DATE		
DJ	3/29/2016		
APPROVED	DATE		
FH	3/29/2016		
FINAL	DATE		
FH	3/29/2016		

TITLE: VAL 4 WAY PUSH PULL			
DWG. NO. VX-4			
<b>ASSEMBLY TOLERANCE</b> DO NOT SCALE DRAWING <b>APEN001</b>	SHEET SIZE <b>C</b>	SCALE <b>1:1</b>	REVISION <b>-</b>
F/N: VX-4		SHT. 2 OF 2	